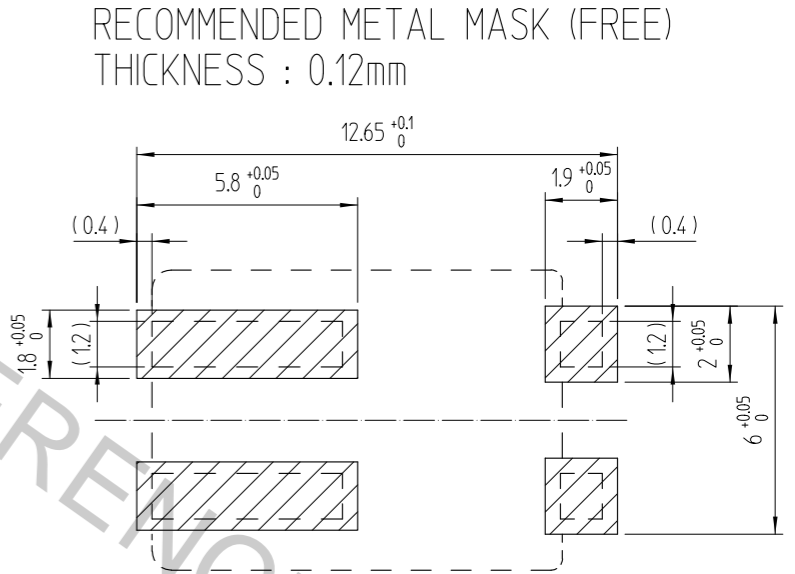
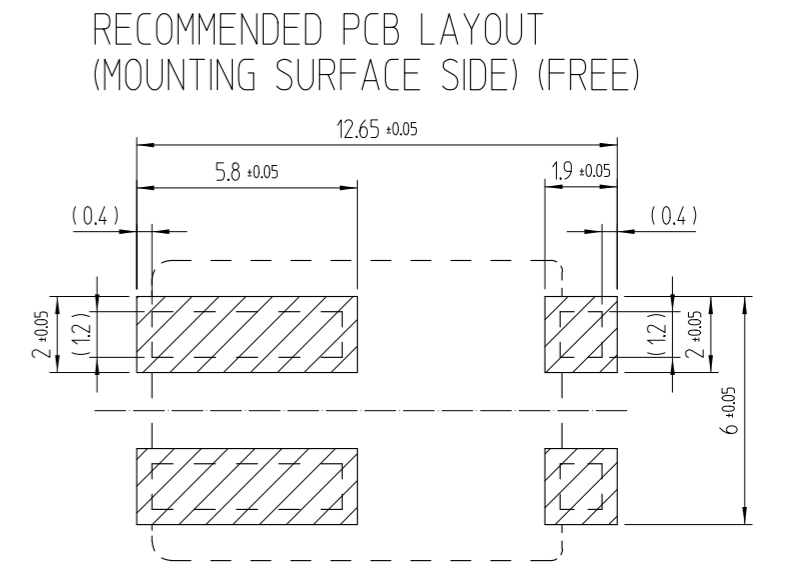
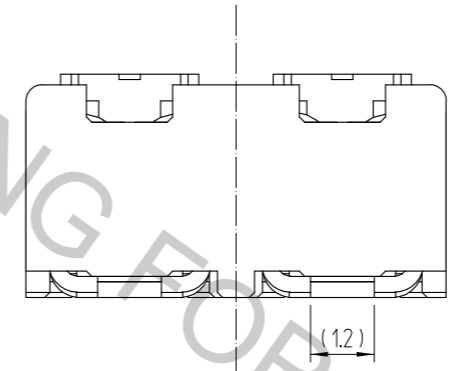
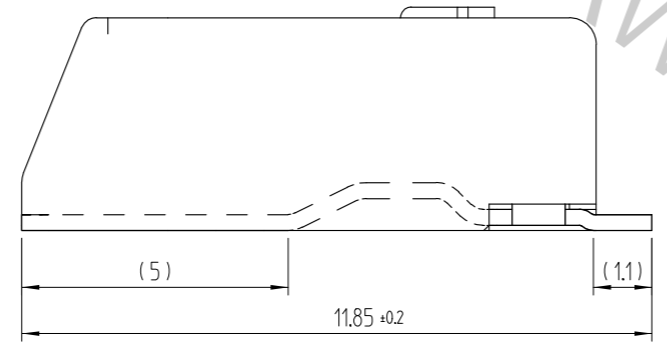
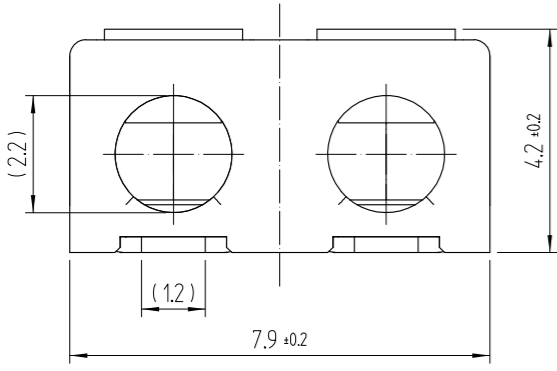
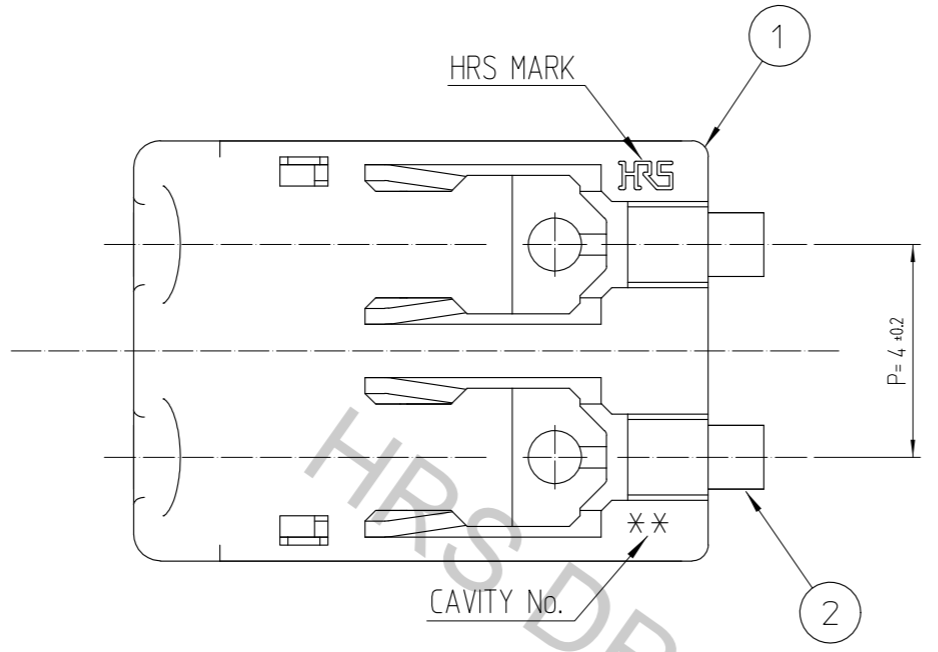


Feb.1.2017 Copyright 2017 HIROSE ELECTRIC CO., LTD. All Rights Reserved.

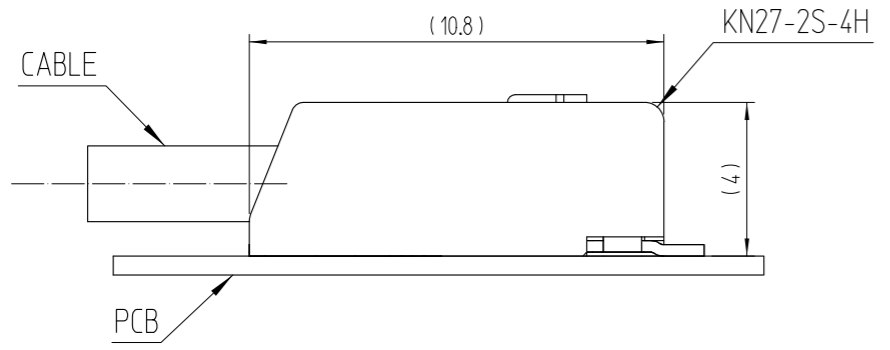
△數 COUNT	訂正事項 DESCRIPTION OF REVISIONS	擔當 B Y	檢圖 CHKD	年月日 DATE	△數 COUNT	訂正事項 DESCRIPTION OF REVISIONS	擔當 B Y	檢圖 CHKD	年月日 DATE
△					△				
△					△				
△					△				



NOTE 1. LEAD CO-PLANARITY SHALL BE 0.1mm MAX.
2. UL(File No. E132750) AUTHORIZATION ARTICLE.
C-UL(File No. E132750) AUTHORIZATION ARTICLE.

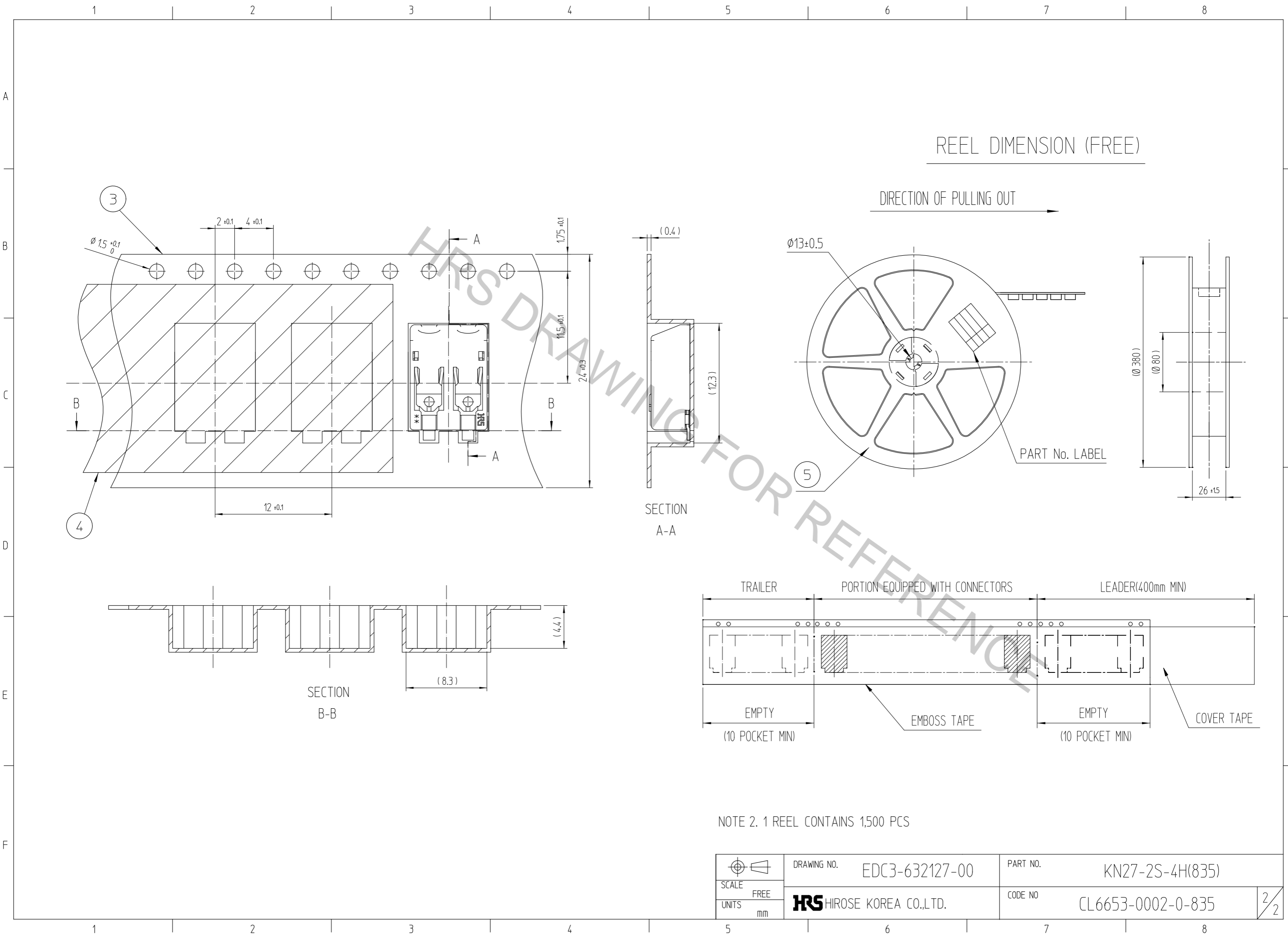


MATING FIGURE (FREE)



3	PS	EMBOSS CARRIER TAPE	5	PS	REEL
2	COPPER ALLOY	SnP	4	PET	COVER TAPE
1	LCP	UL94-V0, NATURAL			
NO.	MATERIAL	FINISH, REMARKS	NO.	MATERIAL	FINISH, REMARKS
CODE NO. (OLD)			DRAWN	DESIGNED	CHECKED
			S.H.GU	S.H.GU	Y.S.HA
			15.05.08	15.05.08	15.05.08
			APPROVED	RELEASED	
			T.S.KANG		ENG
			15.05.09		2016.09.20
					DEPT
DRAWING NO. EDC3-632127-00			PART NO. KN27-2S-4H(835)		
SCALE 7:1			CODE NO. CL6653-0002-0-835		
UNITS mm			HRS HIROSE KOREA CO.,LTD.		

Feb.1.2017 Copyright 2017 HIROSE ELECTRIC CO., LTD. All Rights Reserved.



NOTE 2. 1 REEL CONTAINS 1,500 PCS

	DRAWING NO.	EDC3-632127-00	PART NO.	KN27-2S-4H(835)
	SCALE	FREE	CODE NO.	CL6653-0002-0-835
UNITS	mm	HIROSE KOREA CO.,LTD.		2/2