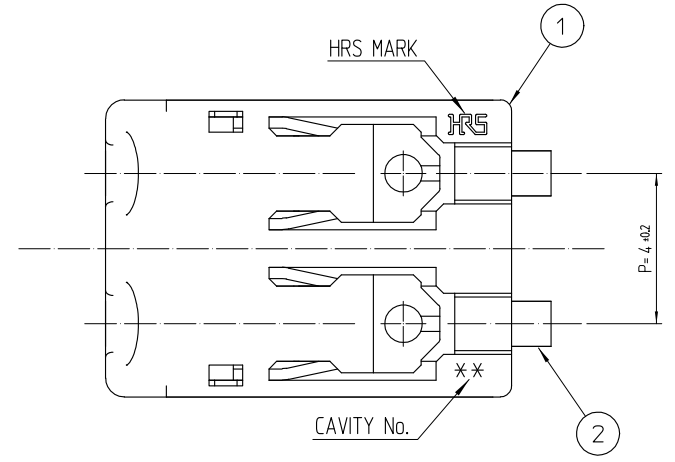
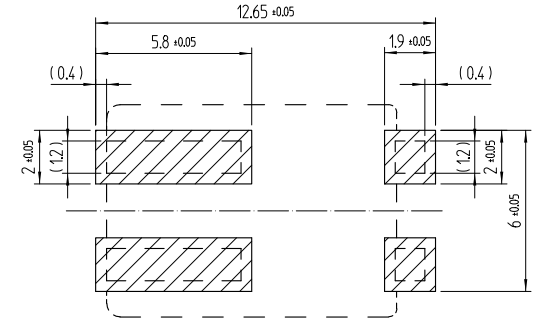


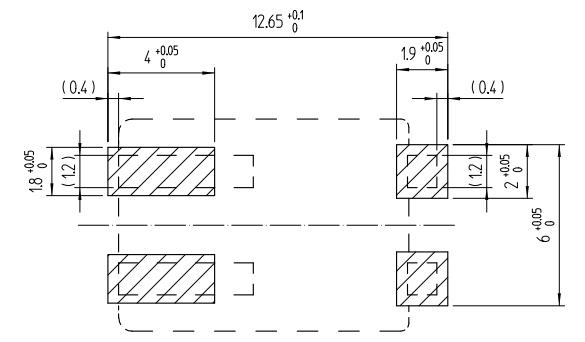
| △數<br>COUNT | 訂正事項<br>DESCRIPTION OF REVISIONS | 擔當<br>B Y | 檢圖<br>CHKD | 年月日<br>DATE | △數<br>COUNT | 訂正事項<br>DESCRIPTION OF REVISIONS | 擔當<br>B Y | 檢圖<br>CHKD | 年月日<br>DATE |
|-------------|----------------------------------|-----------|------------|-------------|-------------|----------------------------------|-----------|------------|-------------|
| △           |                                  |           |            |             | △           |                                  |           |            |             |
| △           |                                  |           |            |             | △           |                                  |           |            |             |
| △           |                                  |           |            |             | △           |                                  |           |            |             |



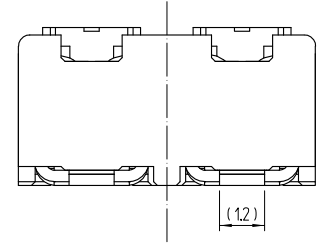
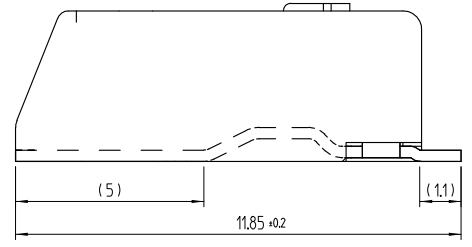
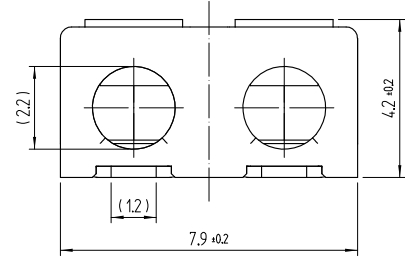
RECOMMENDED PCB LAYOUT  
(MOUNTING SURFACE SIDE) (FREE)



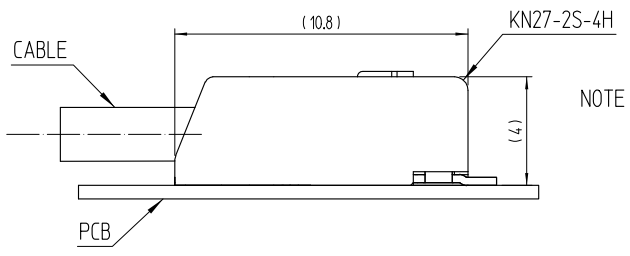
RECOMMENDED METAL MASK (FREE)  
THICKNESS : 0.12mm



DRAWING FOR REFERENCE



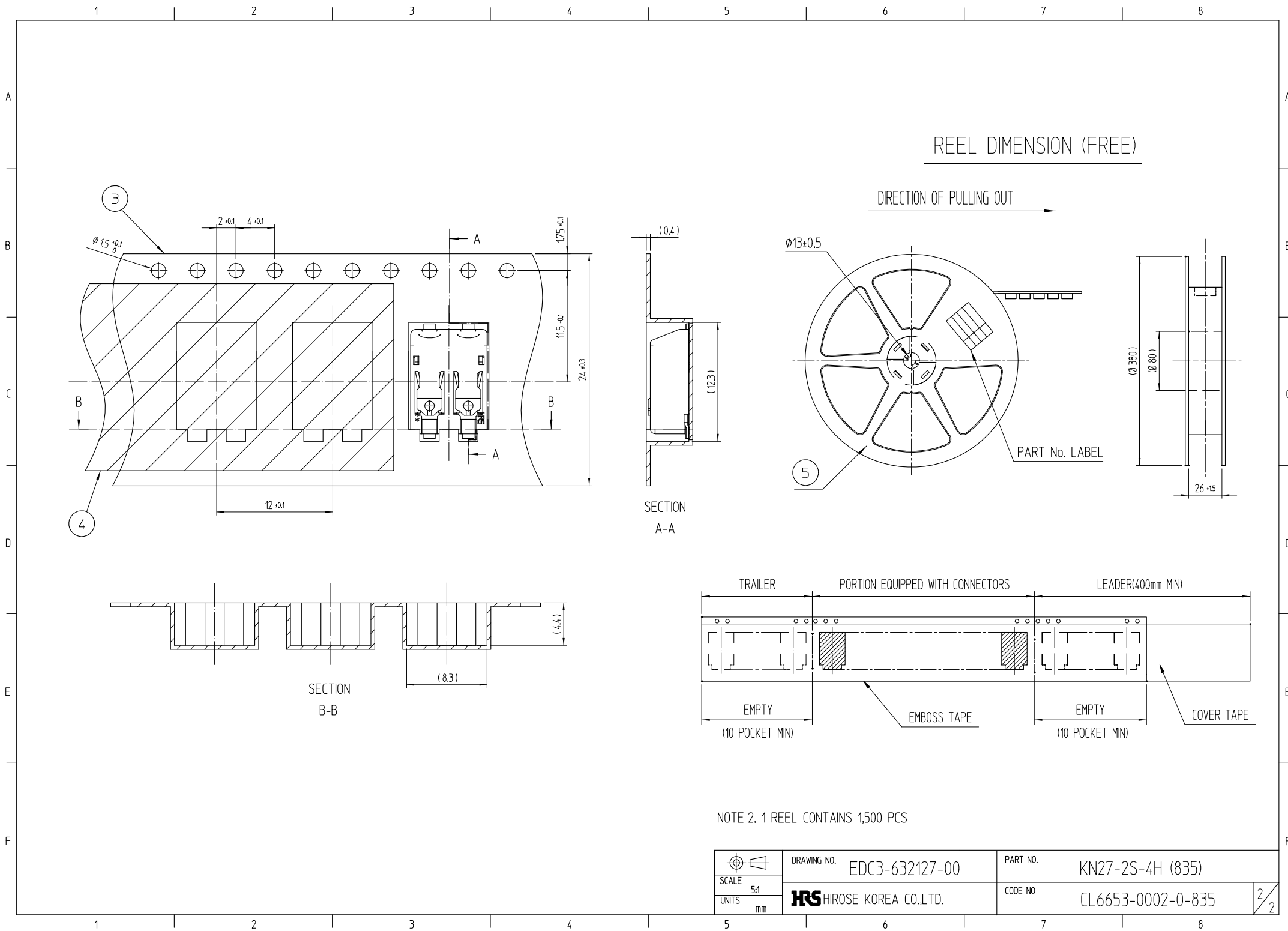
MATING FIGURE (FREE)



NOTE 1. LEAD CO-PLANARITY SHALL BE 0.1mm MAX  
2. UL(File No. E132750) AUTHORIZATION ARTICLE.  
C-UL(File No. E132750) AUTHORIZATION ARTICLE.

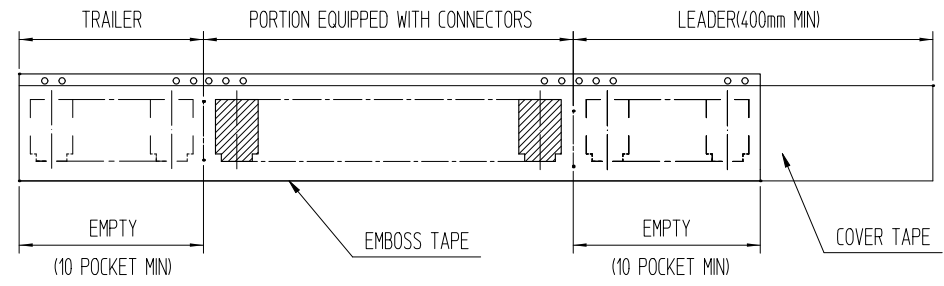
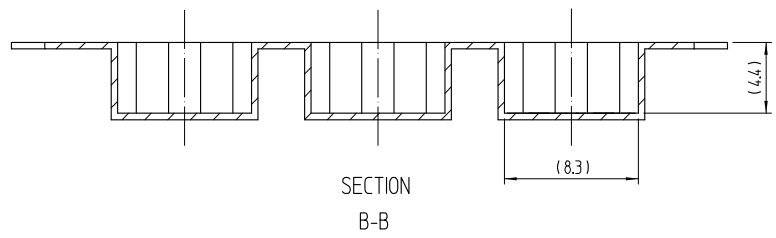
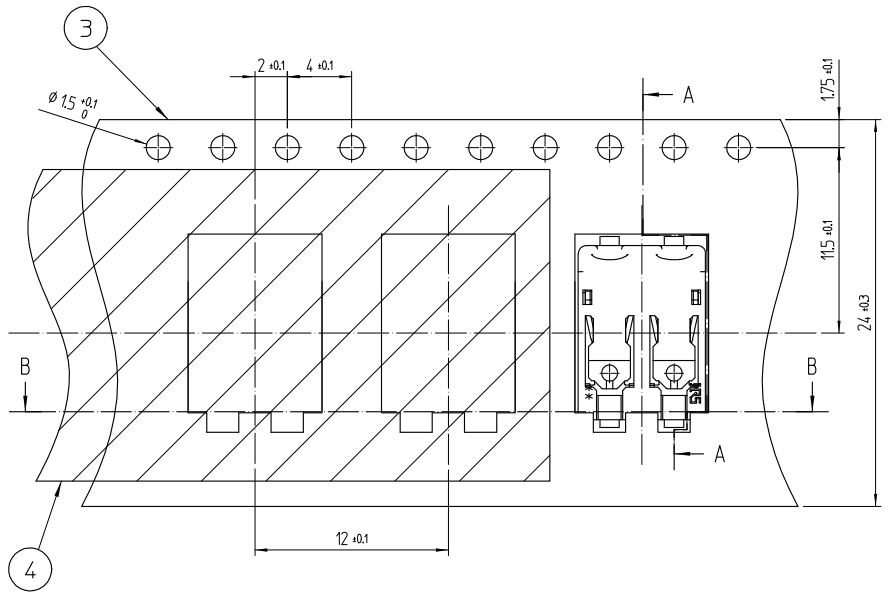
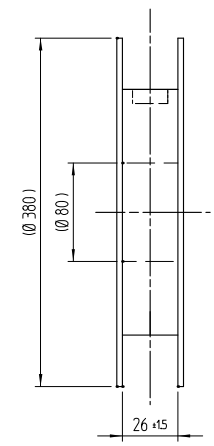
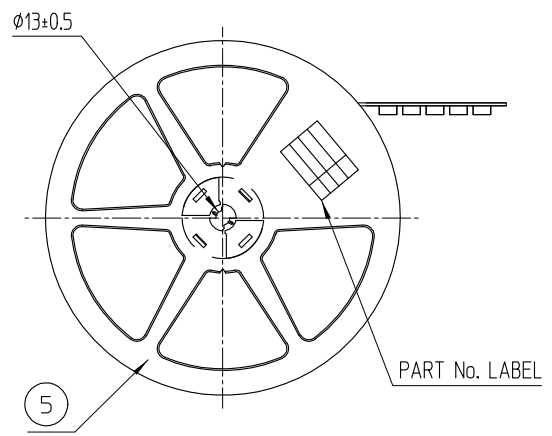
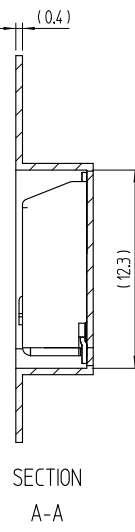


| 3                          | PS           | EMBOSS CARRIER TAPE |                            |          |                 |          |                         |
|----------------------------|--------------|---------------------|----------------------------|----------|-----------------|----------|-------------------------|
| 2                          | COPPER ALLOY | SnP                 | 5                          | PS       | REEL            |          |                         |
| 1                          | LCP          | UL94-V0, NATURAL    | 4                          | PET      | COVER TAPE      |          |                         |
| NO.                        | MATERIAL     | FINISH, REMARKS     | NO.                        | MATERIAL | FINISH, REMARKS |          |                         |
| CODE NO. (OLD)             |              |                     | DRAWN                      | DESIGNED | CHECKED         | APPROVED | RELEASED                |
|                            |              |                     | S.H.GU                     | S.H.GU   | Y.SHA           | T.S.KANG | ENG<br>16.07.13<br>DEPT |
|                            |              |                     | 15.05.08                   | 15.05.08 | 15.05.08        | 15.05.09 |                         |
| DRAWING NO. EDC3-632127-00 |              |                     | PART NO. KN27-2S-4H (835)  |          |                 |          |                         |
| SCALE 5x1                  |              |                     | CODE NO. CL6653-0002-0-835 |          |                 |          |                         |
| UNITS mm                   |              |                     | HRS HIROSE KOREA CO.,LTD.  |          |                 |          |                         |



REEL DIMENSION (FREE)

DIRECTION OF PULLING OUT →



NOTE 2. 1 REEL CONTAINS 1,500 PCS

|       |             |                       |          |                   |
|-------|-------------|-----------------------|----------|-------------------|
|       | DRAWING NO. | EDC3-632127-00        | PART NO. | KN27-2S-4H (835)  |
|       | SCALE       | 5:1                   | CODE NO  | CL6653-0002-0-835 |
| UNITS | mm          | HIROSE KOREA CO.,LTD. |          | 2/2               |