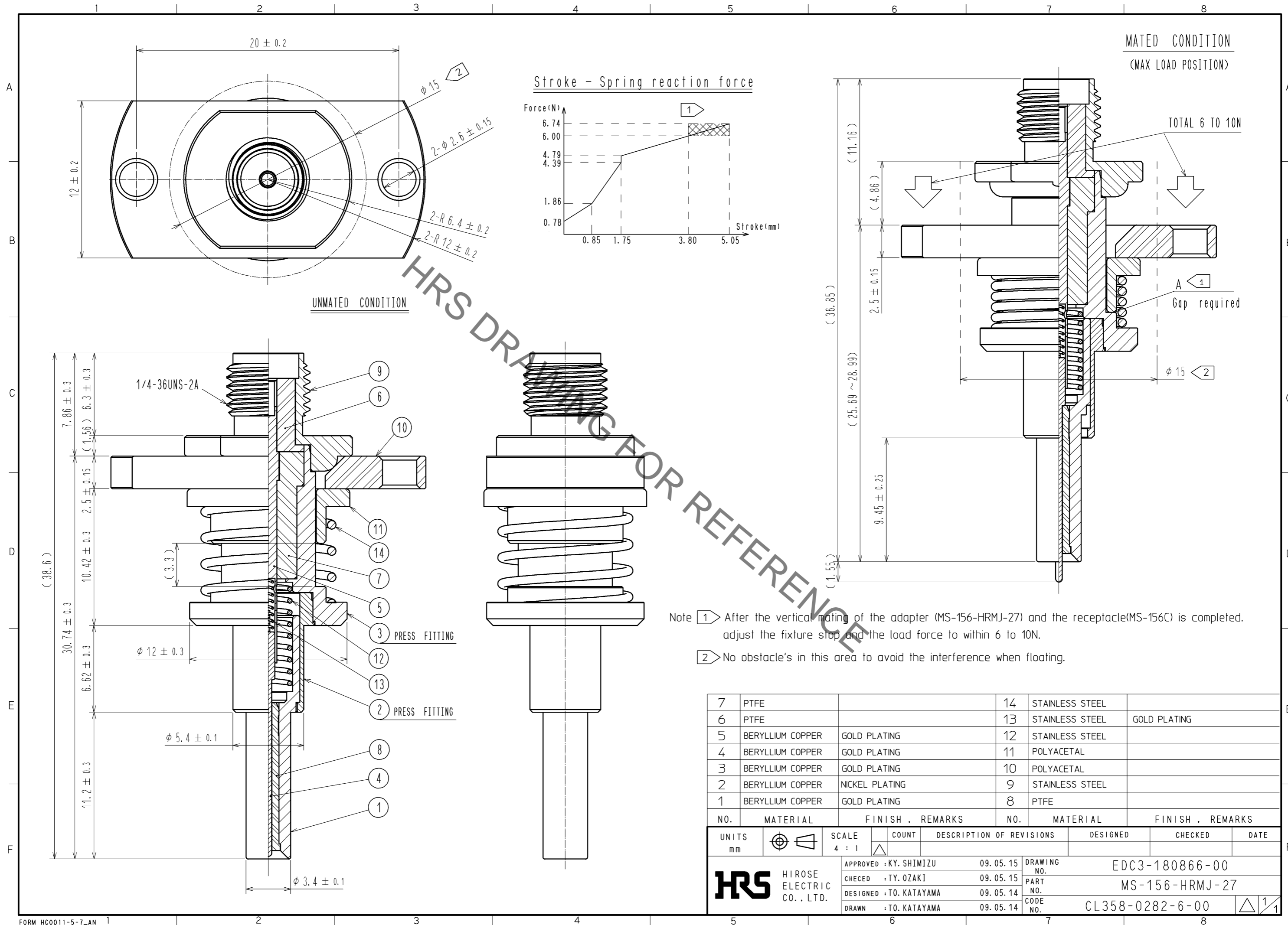


Oct.1.2019 Copyright 2019 HIROSE ELECTRIC CO., LTD. All Rights Reserved.
 In case of consideration for using Automotive equipment / device which demand high reliability, kindly contact our sales window correspondents.



UNITS	SCALE	COUNT	DESCRIPTION OF REVISIONS	DESIGNED	CHECKED	DATE
mm	4 : 1	△				
APPROVED : KY. SHIMIZU			09.05.15	DRAWING NO. EDC3-180866-00		
CHECKED : TY. OZAKI			09.05.15	PART NO. MS-156-HRMJ-27		
DESIGNED : TO. KATAYAMA			09.05.14	CODE NO. CL358-0282-6-00		
DRAWN : TO. KATAYAMA			09.05.14	△ 1/1		