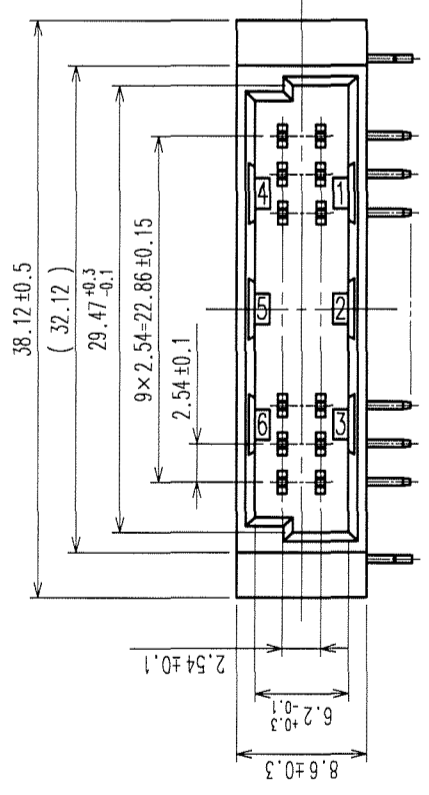
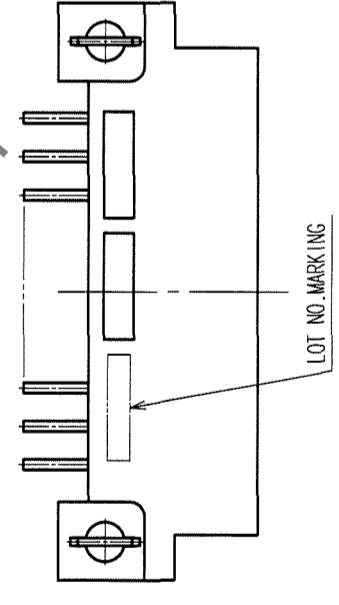
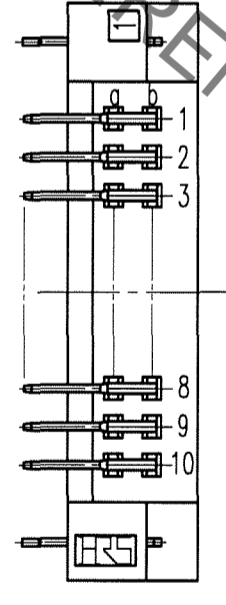
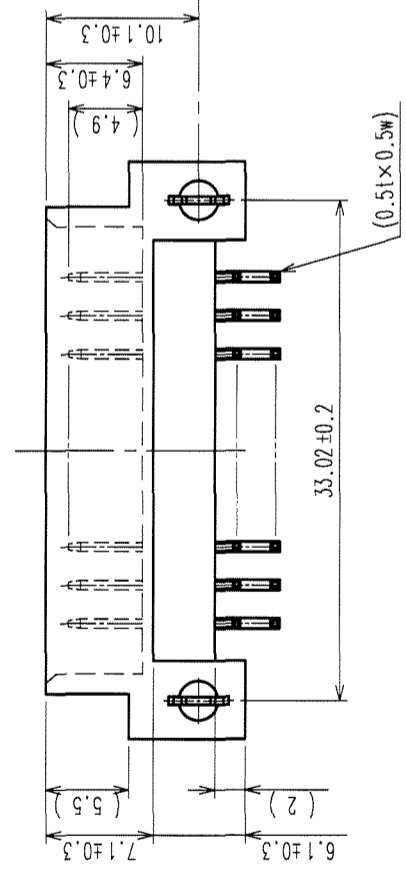
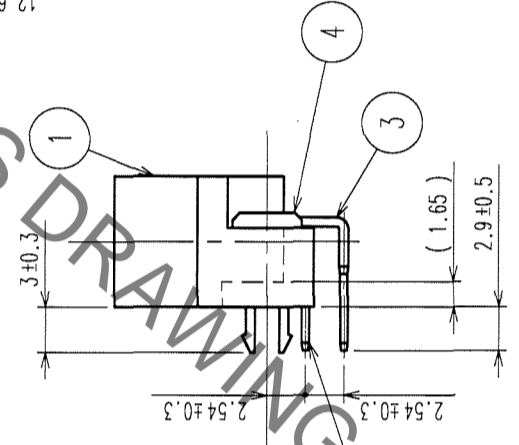
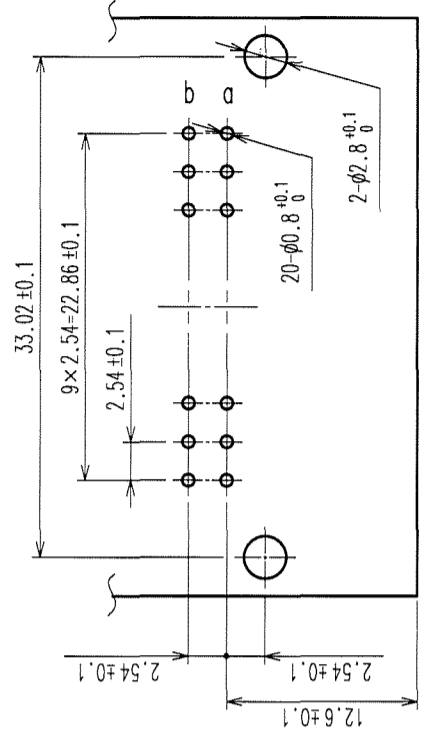


Oct.1.2019 Copyright 2019 HIROSE ELECTRIC CO., LTD. All Rights Reserved.
 2 In case of consideration for using Automotive equipment / device which demand high reliability, kindly contact our sales window correspondents.

| COUNT | DESCRIPTION OF REVISIONS | BY | CHKD | DATE | COUNT | DESCRIPTION OF REVISIONS | BY | CHKD | DATE |
|-------|--------------------------|----|------|------|-------|--------------------------|----|------|------|
| △ | | | | | △ | | | | |
| △ | | | | | △ | | | | |
| △ | | | | | △ | | | | |



RECOMMENDED P.C.B HOLE PATTERN



| | | |
|-----|-----------------|--------------------------------|
| 4 | PHOSPHOR BRONZE | Ni1μm+Sn1μm |
| 2,3 | BRASS | CONTACT AREA : Ni2.5μm+Au0.2μm |
| 1 | PBT | MOUNTING AREA: Ni2.5μm+Sn2μm |
| NO. | MATERIAL | GRAY UL94V-0 |

| CODE NO. (OLD) CL? | DRAWN | DESIGNED | CHECKED | APPROVED | RELEASED |
|--------------------|----------|----------|--------------|-----------|----------|
| | H.Saitou | H.Saitou | A. Yamashita | K. Hayama | |
| | 06.01.13 | 06.01.13 | 06.01.14 | 06.01.14 | |

| | | | |
|-------------|----------------|----------|------------------------|
| DRAWING NO. | EDC3-019540-01 | PART NO. | PCN10EA-20P-2.54DS(72) |
| SCALE | 2 : 1 | CODE NO. | CL583-0181-5-72 |
| UNITS | mm | | |

| | |
|-----|--|
| TO | |
| PCK | |
| | |
| | |

HRS DRAWING FOR REFERENCE