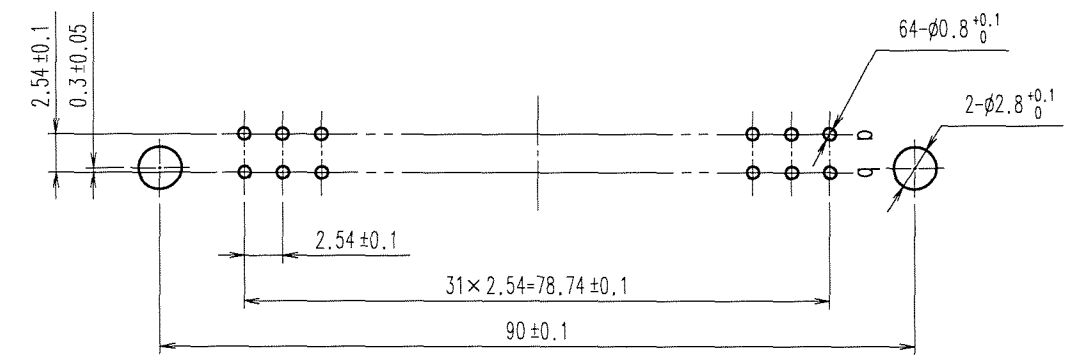
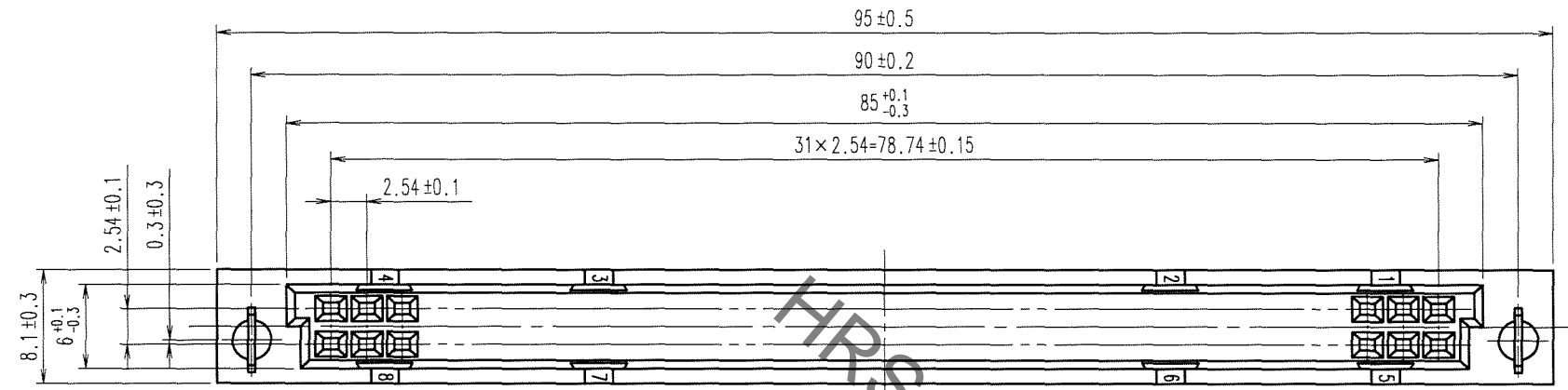
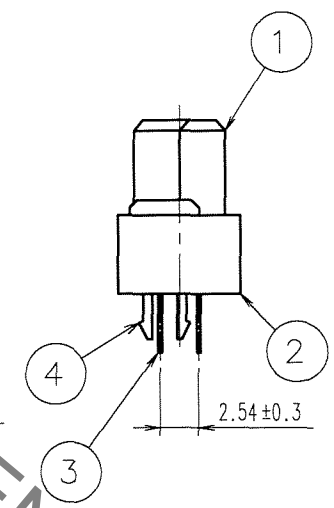
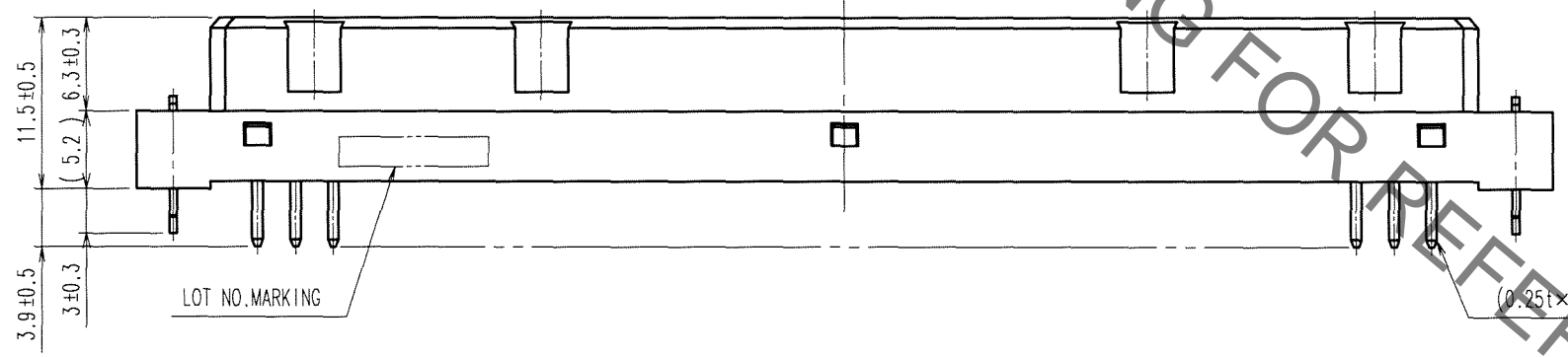


Oct.1.2019 Copyright 2019 HIROSE ELECTRIC CO., LTD. All Rights Reserved.
 In case of consideration for using Automotive equipment / device which demand high reliability, kindly contact our sales window correspondents.

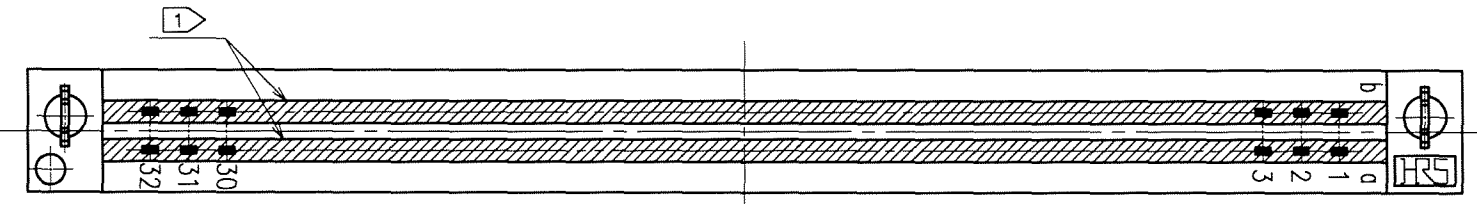
COUNT	DESCRIPTION OF REVISIONS	BY	CHKD	DATE	COUNT	DESCRIPTION OF REVISIONS	BY	CHKD	DATE



RECOMMENDED PC BOARD HOLE PATTERN(t=1.6±0.1)



NOTE 1 EPOXY RESIN IS FILLED UP AT THE POSITION DRAWN.



NO.	MATERIAL	FINISH, REMARKS
4	PHOSPHOR BRONZE	Ni1μm+Sn1μm
3	COPPER ALLOY	(CONTACT AREA)Ni1μm+Au0.2μm (DIP AREA)Ni1μm+Sn1μm
1, 2	PBT	GRAY, UL94V-0

CODE NO. (OLD) CL	DRAWN H.Saitou 07.01.16	DESIGNED H.Saitou 07.01.16	CHECKED <i>S. Tomida</i> 07.01.16	APPROVED <i>K. Hayama</i> 07.01.16	RELEASED
DRAWING NO. EDC3-019551-01	PART NO. PCN10EA-64S-2.54DSA(72)		CODE NO. CL583-0192-1-72		
SCALE 2 : 1	UNITS mm		HRS HIROSE ELECTRIC CO., LTD		

TO