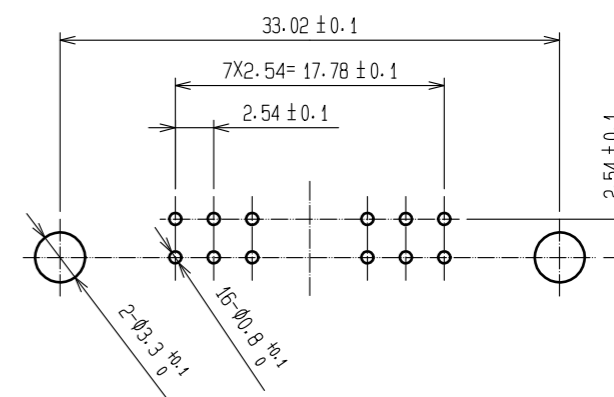
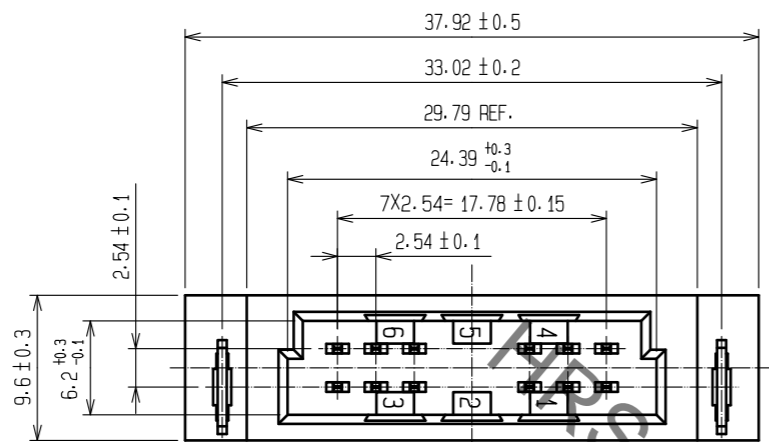
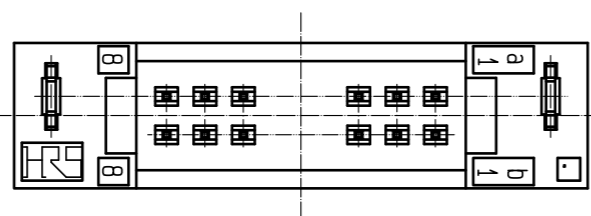
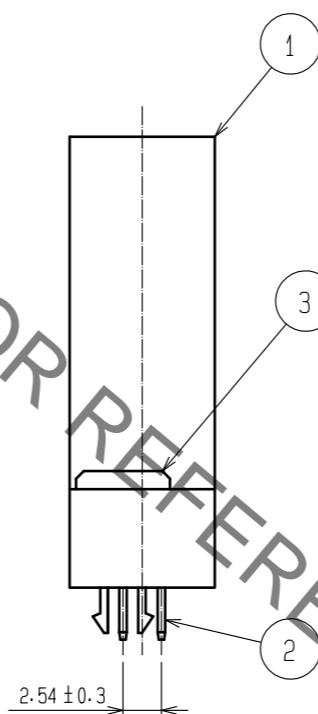
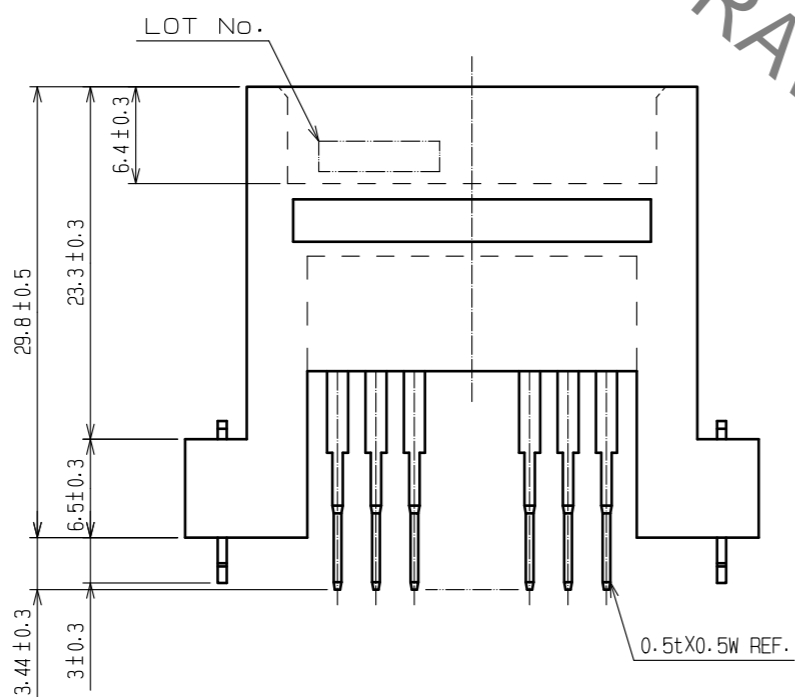


Oct.1.2019 Copyright 2019 HIROSE ELECTRIC CO., LTD. All Rights Reserved.  
 In case of consideration for using Automotive equipment / device which demand high reliability, kindly contact our sales window correspondents.



RECOMMENDED P.C.B HOLE PATTERN (t=1.6±0.1)



1	PBT	GRAY	UL94V-0	3	PHOSPHOR BRONZE	NICKEL PLATING 1μm + TIN PLATING 1μm		
2	BRASS			2	BRASS	CONTACT AREA : GOLD PLATING 0.2μm LEAD AREA : TIN PLATING 2μm UNDER PLATING : NICKEL 2.5μm		
NO.	MATERIAL	FINISH	REMARKS	NO.	MATERIAL	FINISH . REMARKS		
UNITS	mm	SCALE	2 : 1	COUNT	DESCRIPTION OF REVISIONS	DESIGNED	CHECKED	DATE
<b>HRS</b> HIROSE ELECTRIC CO., LTD.		APPROVED	: NH. NAKATA	16.04.28	DRAWING NO.	EDC-019597-72-00		
		CHECKED	: HT. YAMAGUCHI	16.04.28	PART NO.	PCN10H-16P-2.54DSA(72)		
		DESIGNED	: HR. NAGAYASU	16.04.27	CODE NO.	CL583-0227-4-72		
		DRAWN	: HR. NAGAYASU	16.04.27		1/1		