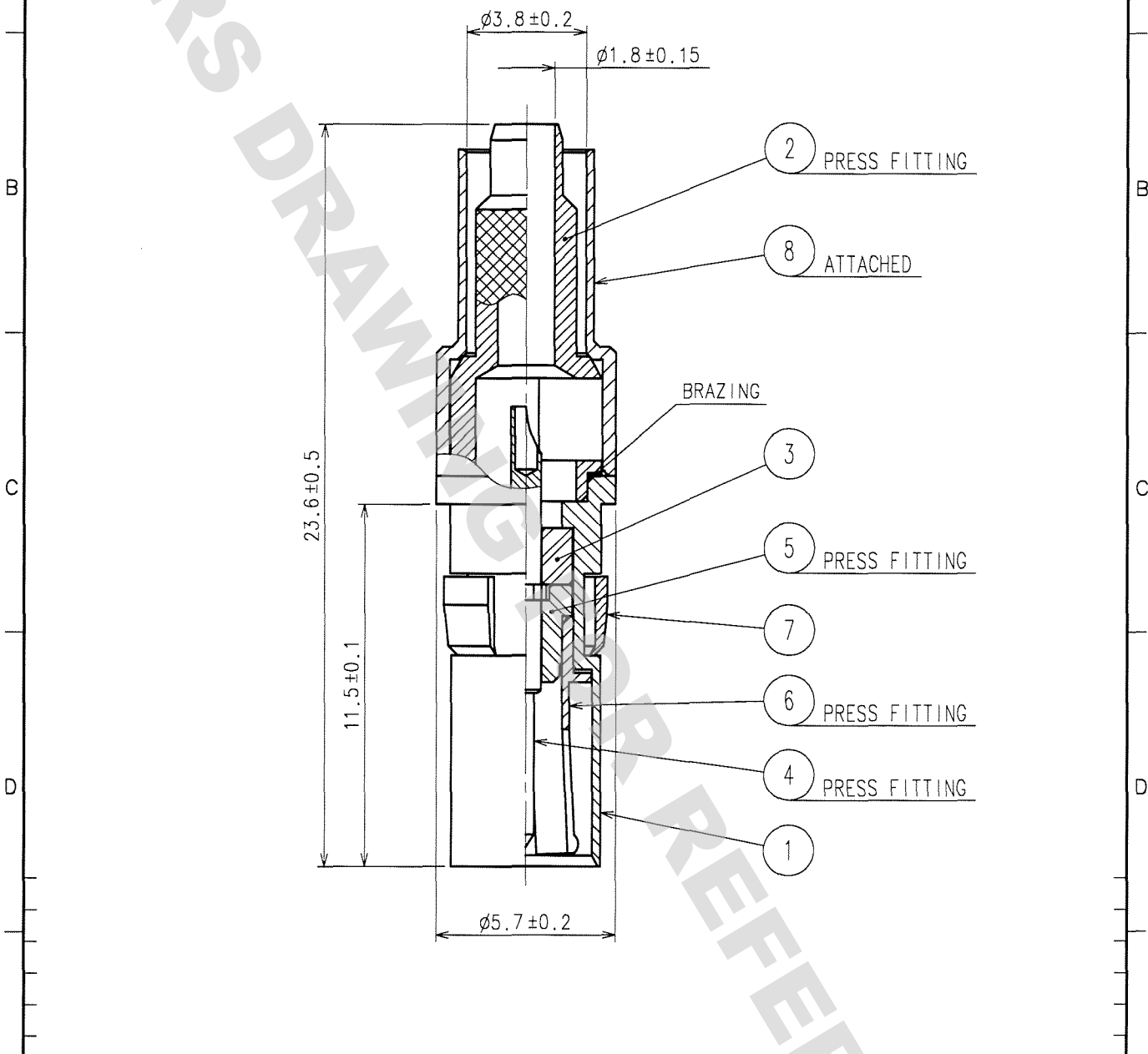


1	2		3		4				
COUNT	DESCRIPTION OF REVISIONS	BY	CHKD	DATE	COUNT	DESCRIPTION OF REVISIONS	BY	CHKD	DATE
△					△				
△					△				
△					△				

APPLICABLE OUTER CONDUCTOR CRIMPING TOOL : UM.MSS-T-1(1.5HOLE)



4	PHOSPHOR BRONZE	GOLD PLATING	8	BRASS	GOLD PLATING
3	PTFE		7	BERYLLIUM COPPER	NICKEL PLATING
2	BRASS	GOLD PLATING	6	PHOSPHOR BRONZE	GOLD PLATING
1	BRASS	GOLD PLATING	5	PTFE	
NO.	MATERIAL	FINISH, REMARKS	NO.	MATERIAL	FINISH, REMARKS

CODE NO. (OLD) CL		DRAWN	DESIGNED	CHECKED	APPROVED	RELEASED
RoHS COMPLIANT		<i>M. Sugiyama</i>	<i>T. Katayama</i>	<i>H. Shimizu</i>	<i>J. Mitani</i>	
		06.03.14	06.03.14	06.03.15	06.03.17	
DRAWING NO. EDC4-029924-40			PART NO. PO51-P-1.5-1A(40)			
CODE NO. HRS HIROSE ELECTRIC CO., LTD.			CODE NO. CL330-0004-8-40			
1			1			

DRAWING FOR REFERENCE: This is subject to change without notice
08/11/2012

TO
RF