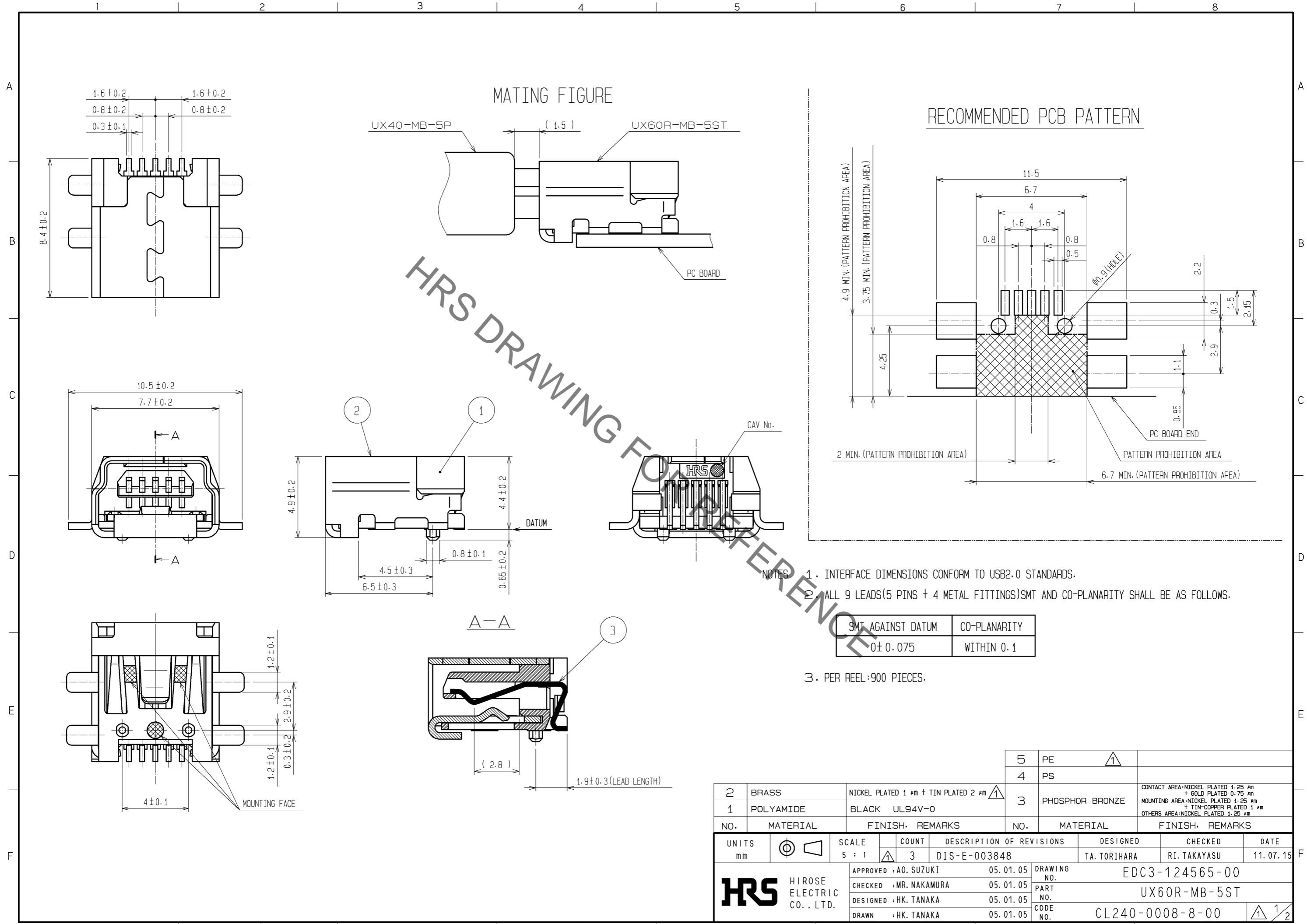


Oct.1.2019 Copyright 2019 HIROSE ELECTRIC CO., LTD. All Rights Reserved.
 In case of consideration for using Automotive equipment / device which demand high reliability, kindly contact our sales window correspondents.



UNITS	SCALE	COUNT	DESCRIPTION OF REVISIONS	DESIGNED	CHECKED	DATE
mm	5 : 1	3	DIS-E-003848	TA. TORIHARA	RI. TAKAYASU	11.07.15

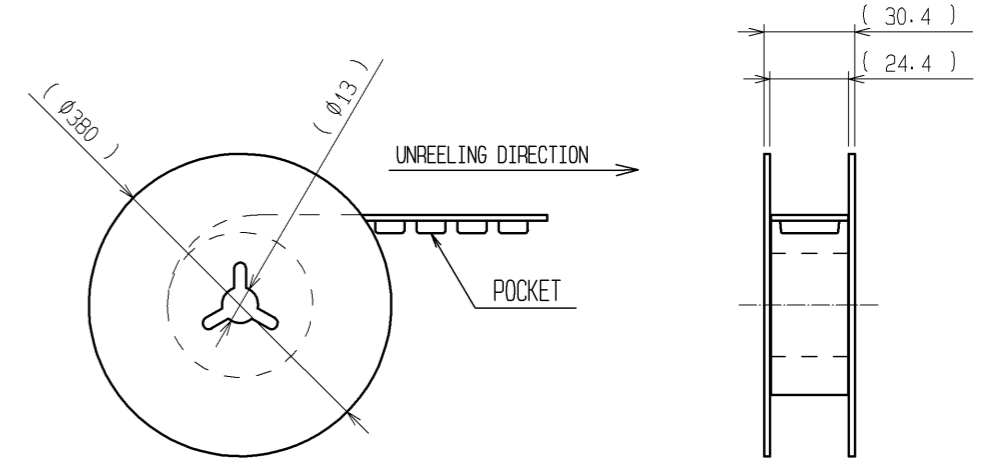
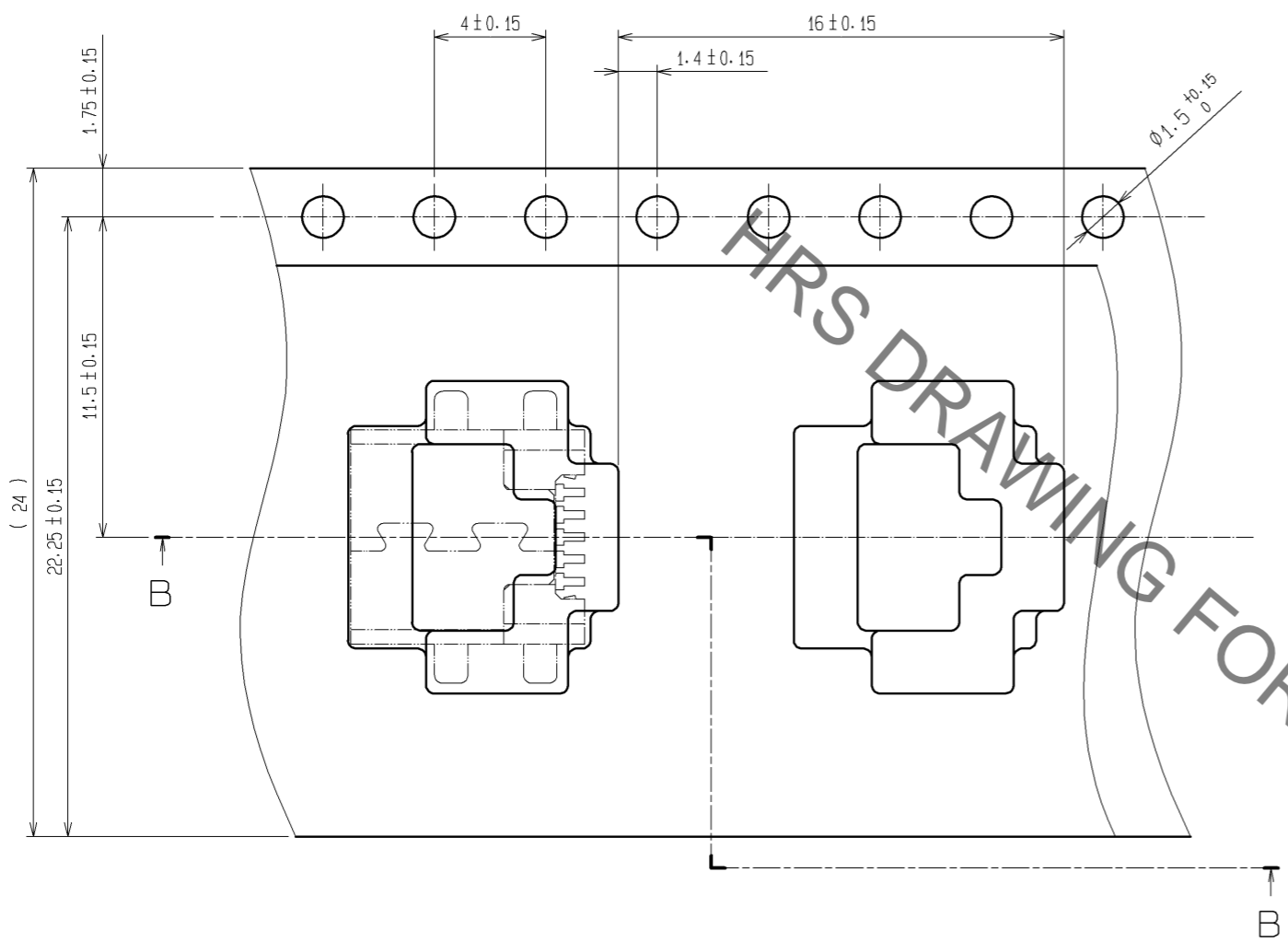
APPROVED : A0. SUZUKI	05.01.05	DRAWING NO.	EDC3-124565-00
CHECKED : MR. NAKAMURA	05.01.05	PART NO.	UX60R-MB-5ST
DESIGNED : HK. TANAKA	05.01.05	CODE NO.	CL240-0008-8-00
DRAWN : HK. TANAKA	05.01.05		

Oct.1.2019 Copyright 2019 HIROSE ELECTRIC CO., LTD. All Rights Reserved.
In case of consideration for using Automotive equipment / device which demand high reliability, kindly contact our sales window correspondents.

△ DRAWING FOR PACKING

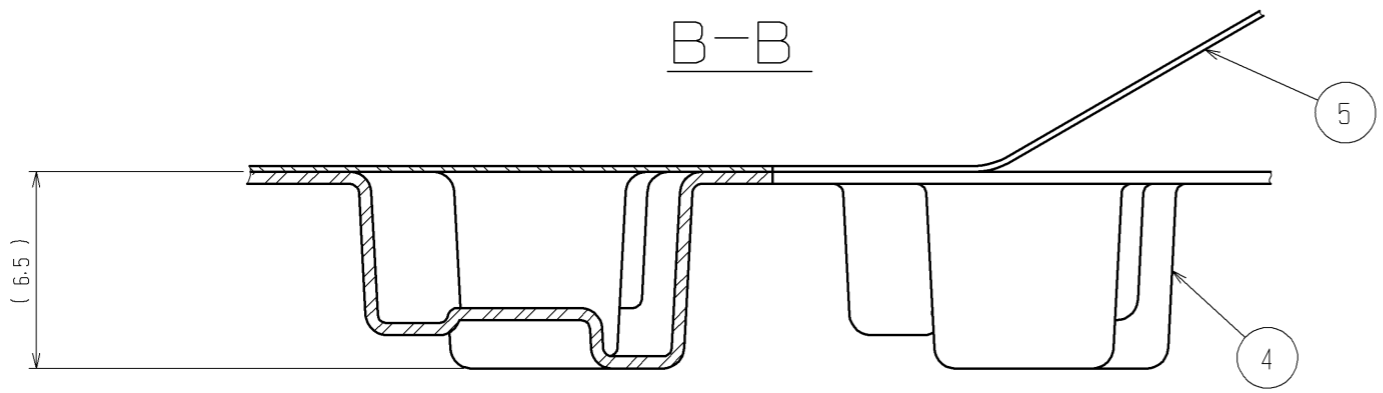
UNREELING DIRECTION →

PACKAGING CONDITION(FREE)



HRS DRAWING FOR REFERENCE

B-B



HRS	DRAWING NO.	EDC3-124565-00
	PART NO.	UX60R-MB-5ST
	CODE NO.	CL240-0008-8-00
		△ 2/2