

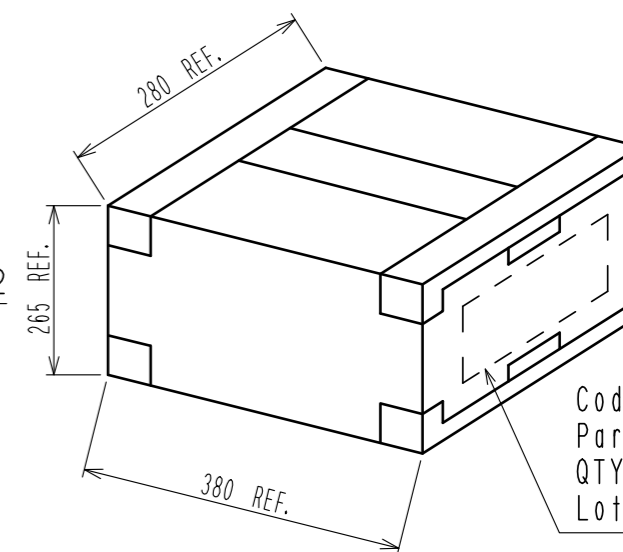
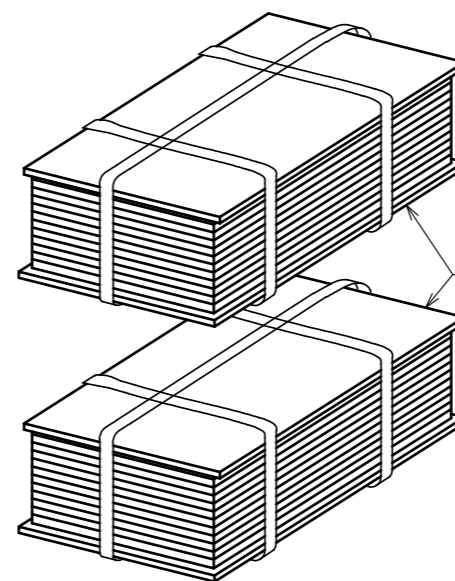
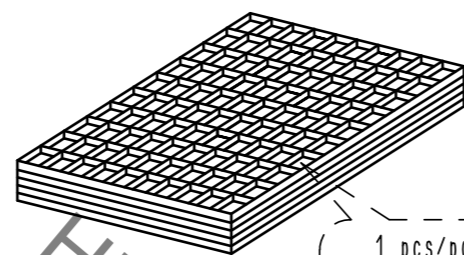
Oct.1.2019 Copyright 2019 HIROSE ELECTRIC CO., LTD. All Rights Reserved.
In case of consideration for using Automotive equipment / device which demand high reliability, kindly contact our sales window correspondents.

Fig-1 PACKING SPECIFICATION -IN THE CASE OF 2000 pcs-(FREE)

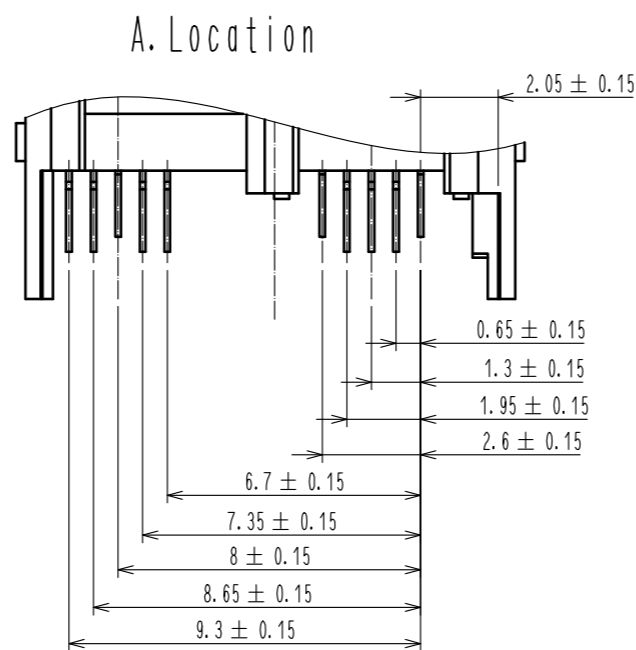
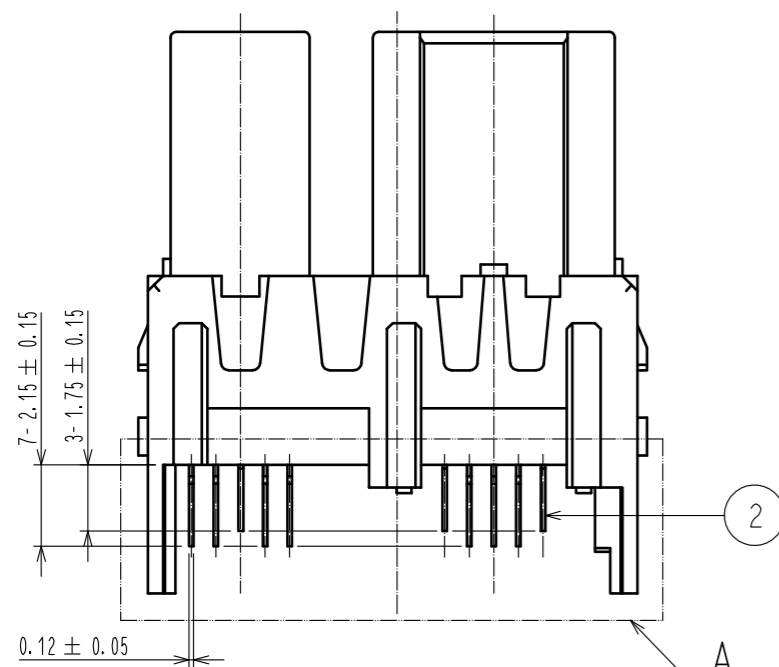
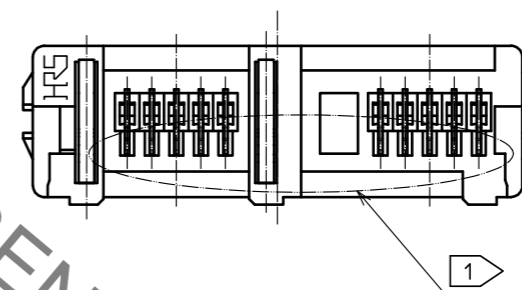
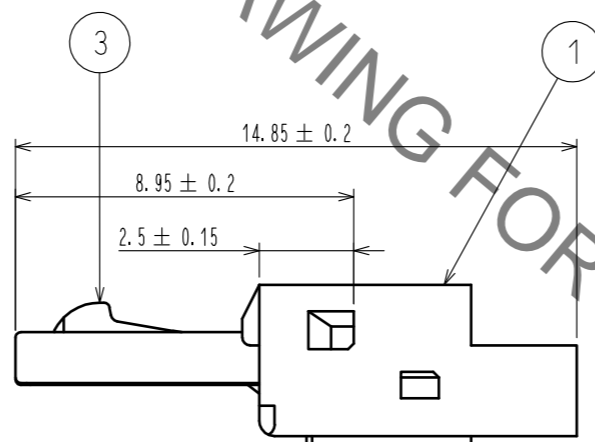
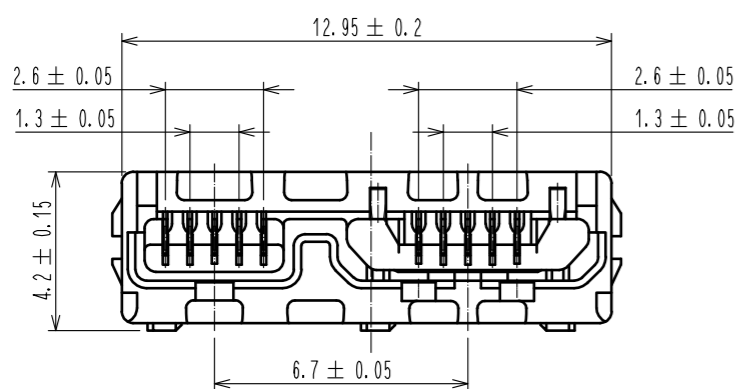
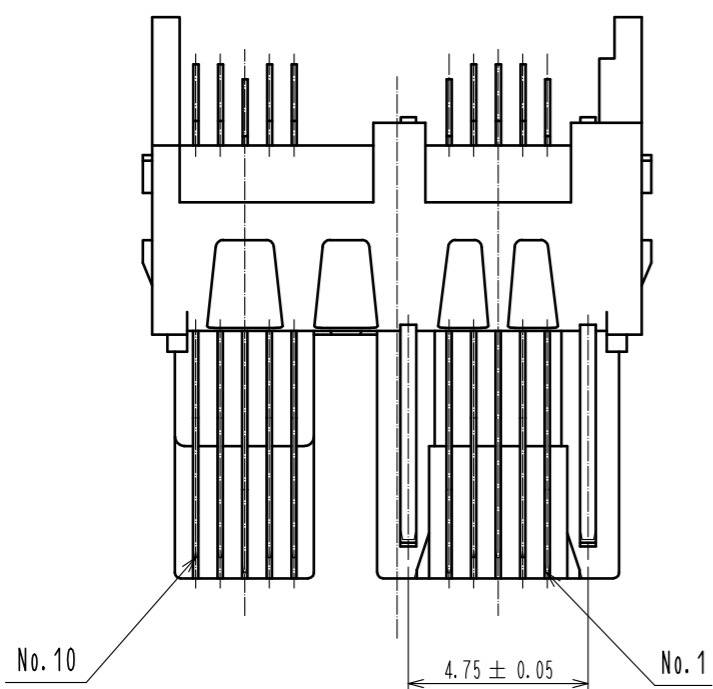
2. BIND THE TRAYS WITH CONNECTOR UNITS AS SHOWN BELOW.

3. SET THE TRAYS INSIDE THE CARDBOARD BOX.

1. PLACE THE CONNECTOR UNIT INTO THE TRAY.
(100 pcs per tray)



Code No.
Part No.
QTY
Lot No.



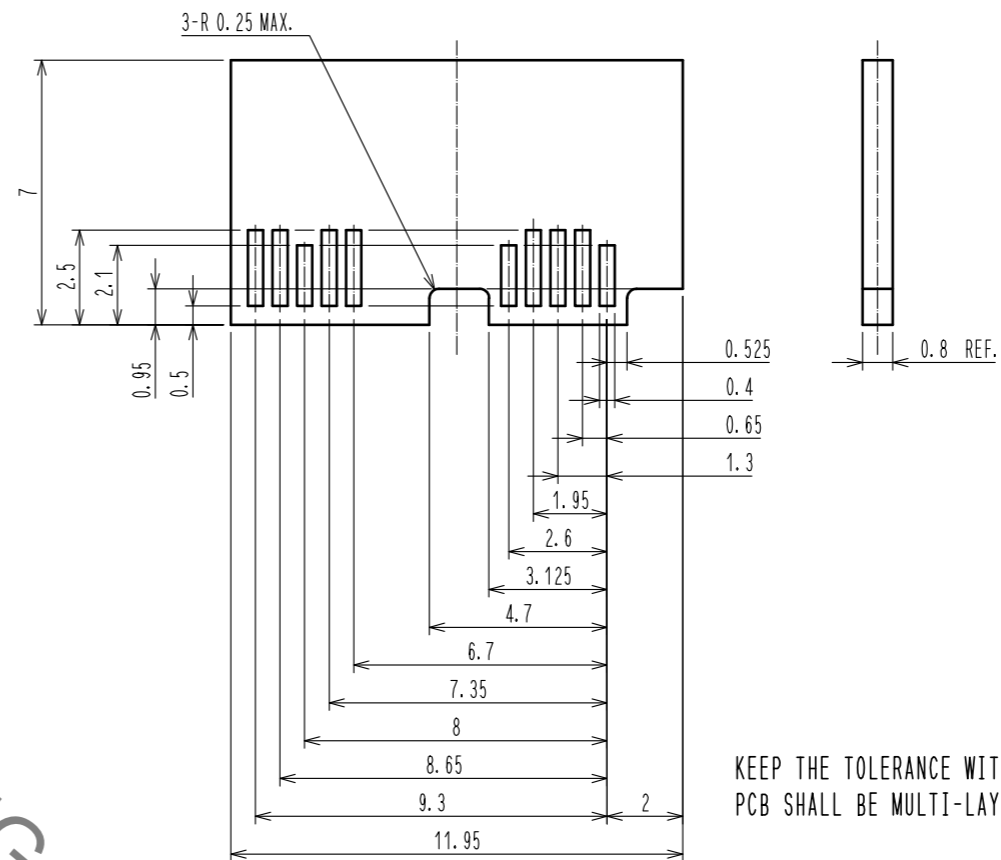
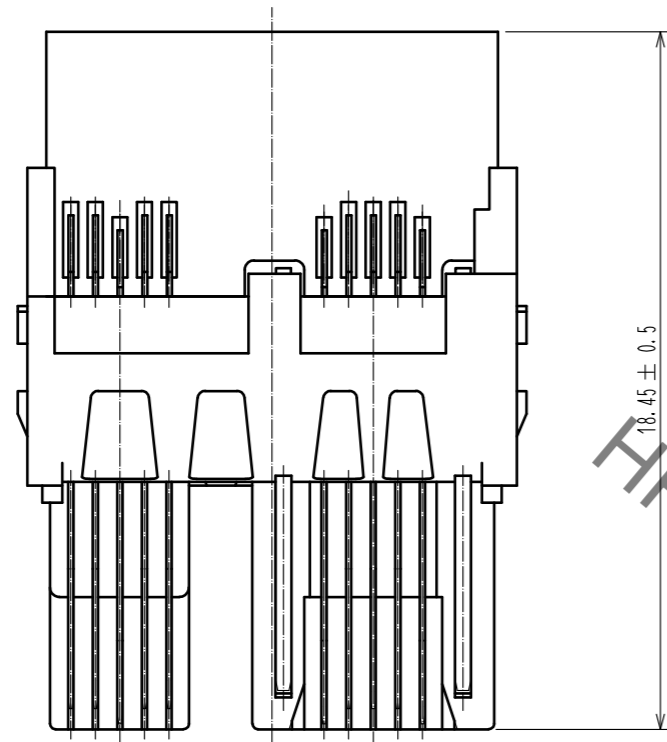
△	Halogen-Free
	Lead Free Process
	RoHS Compliant

2	COPPER ALLOY	CONTACT AREA:GOLD PLATING 0.75μm min MOUNTING AREA:TIN PLATING 1μm min UNDER PLATING:NICKEL PLATING 2μm min	3	STAINLESS STEEL	
1	LCP	UL94V-0 , BLACK			
NO.	MATERIAL	FINISH . REMARKS	NO.	MATERIAL	FINISH . REMARKS
UNITS		SCALE	COUNT	DESCRIPTION OF REVISIONS	
mm		5 : 1	△ 1	DIS-E-00001801	
APPROVED : NM. NISHIMATSU 20151027			DRAWING NO. EDC-127029-30-00		
CHECKED : KN. ICHIKAWA 20151027			PART NO. ZX360-B-10S-UNIT(30)		
DESIGNED : TS. ITO 20151027			CODE NO. CL242-0501-4-30		
DRAWN : AK. AKIYAMA 20151027			DATE 20181004		
DESIGNED : YS. SAKODA			CHECKED : AH. KODAMA		
DRAWN : AK. AKIYAMA			DATE 20181004		

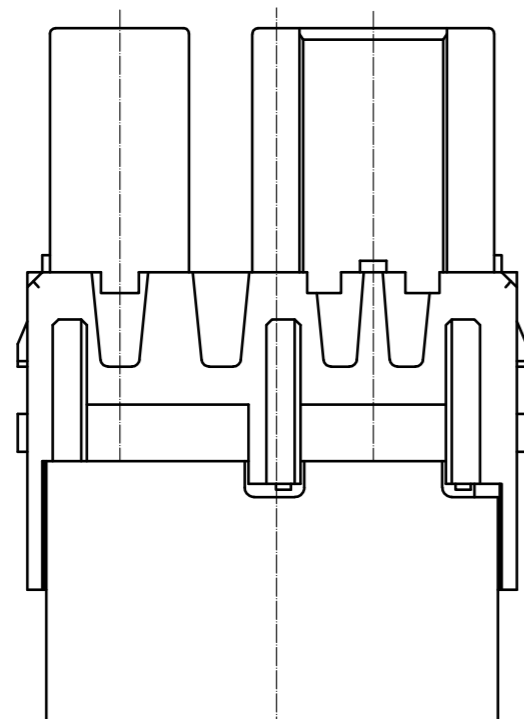
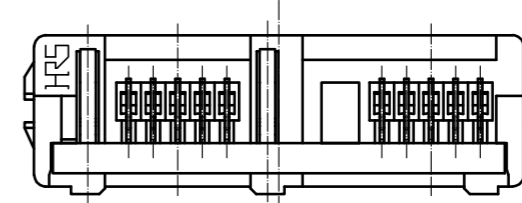
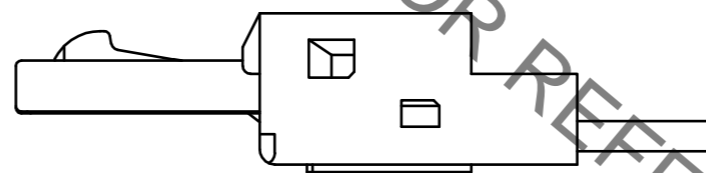
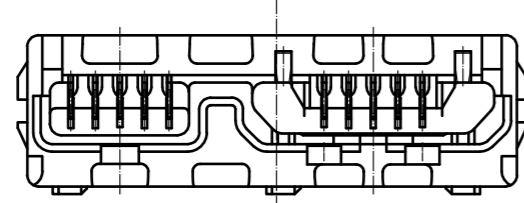
Oct. 1.2019 Copyright 2019 HIROSE ELECTRIC CO., LTD. All Rights Reserved.
In case of consideration for using Automotive equipment / device which demand high reliability, kindly contact our sales window correspondents.

Fig-2. CONNECTOR MOUNTED ON PCB

PCB LAYOUT FOR REFERENCE



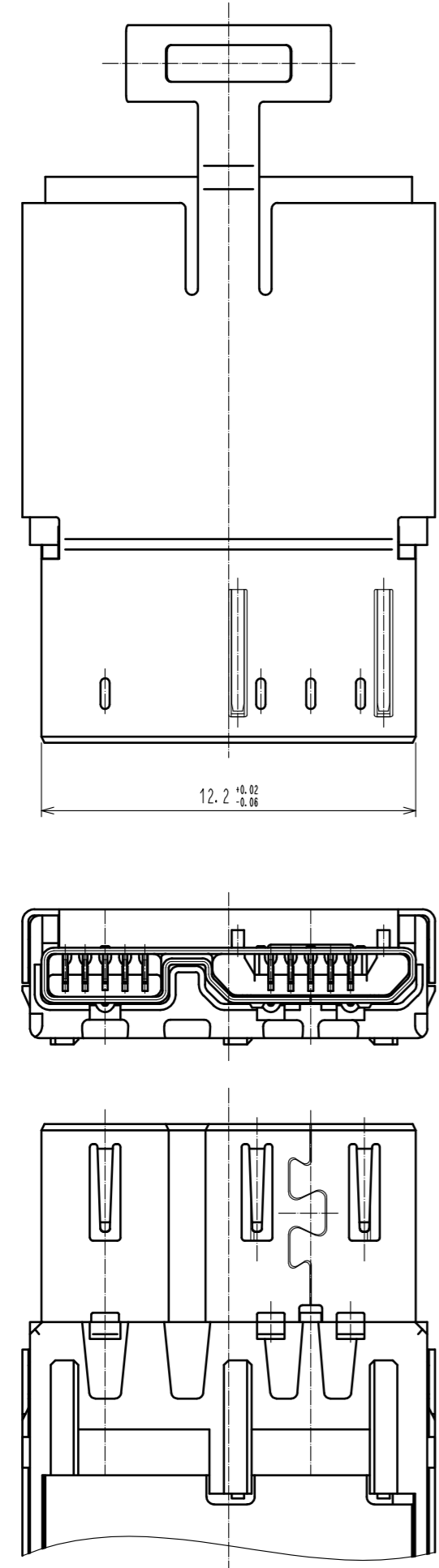
KEEP THE TOLERANCE WITHIN MAX±0.05
PCB SHALL BE MULTI-LAYER PCB INCLUDING FULL GROUND LAYER.



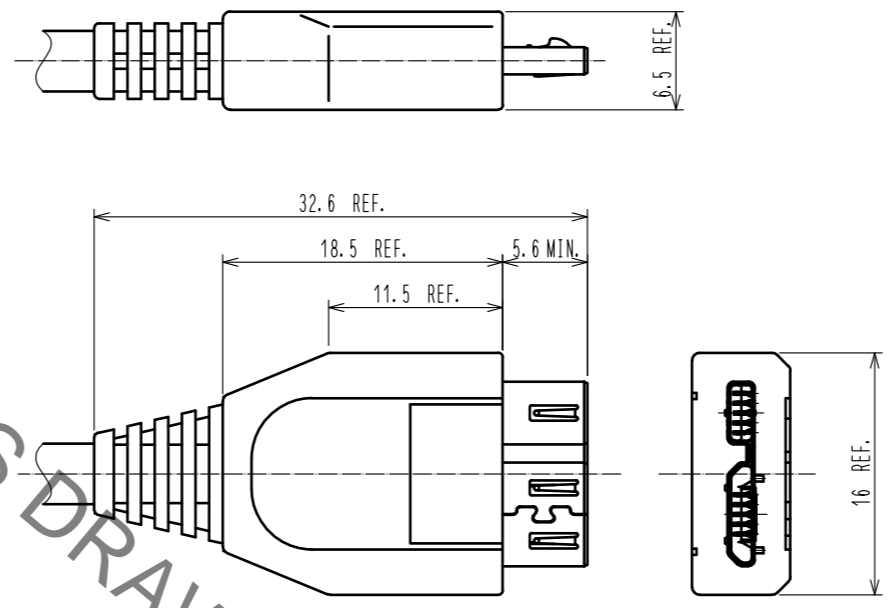
HRS	DRAWING NO.	EDC-127029-30-00
	PART NO.	ZX360-B-10S-UNIT(30)
	CODE NO.	CL242-0501-4-30
		2/3

Oct.1.2019 Copyright 2019 HIROSE ELECTRIC CO., LTD. All Rights Reserved.
 In case of consideration for using Automotive equipment / device which demand high reliability, kindly contact our sales window correspondents.

Fig-3 SHIELDING-PLATE ASSEMBLY



OVER-MOLDING (REFERENCE) (FREE)



ZX360-B-SLDA(SOLD SEPARATELY)

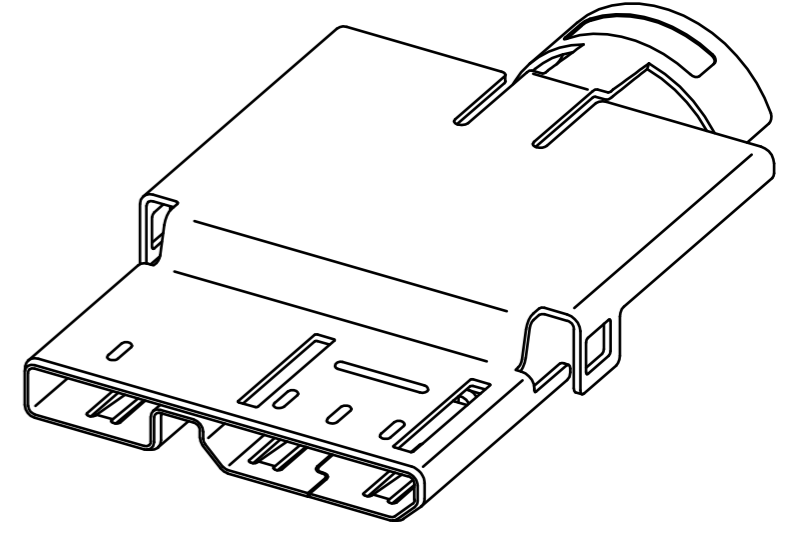
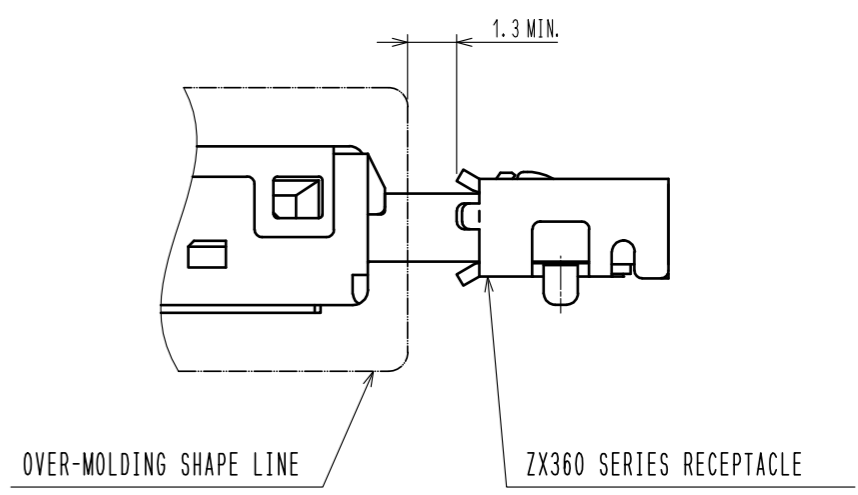
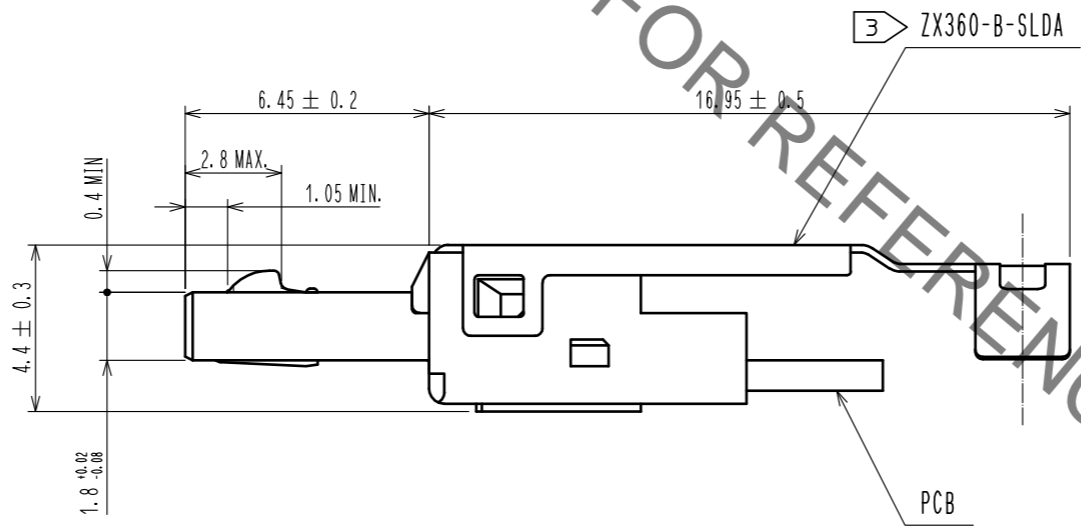


Fig-4 MATED WITH CORRESPONDING PLUG



HRS	DRAWING NO.	EDC-127029-30-00
	PART NO.	ZX360-B-10S-UNIT(30)
	CODE NO.	CL242-0501-4-30
		\triangle 3/3