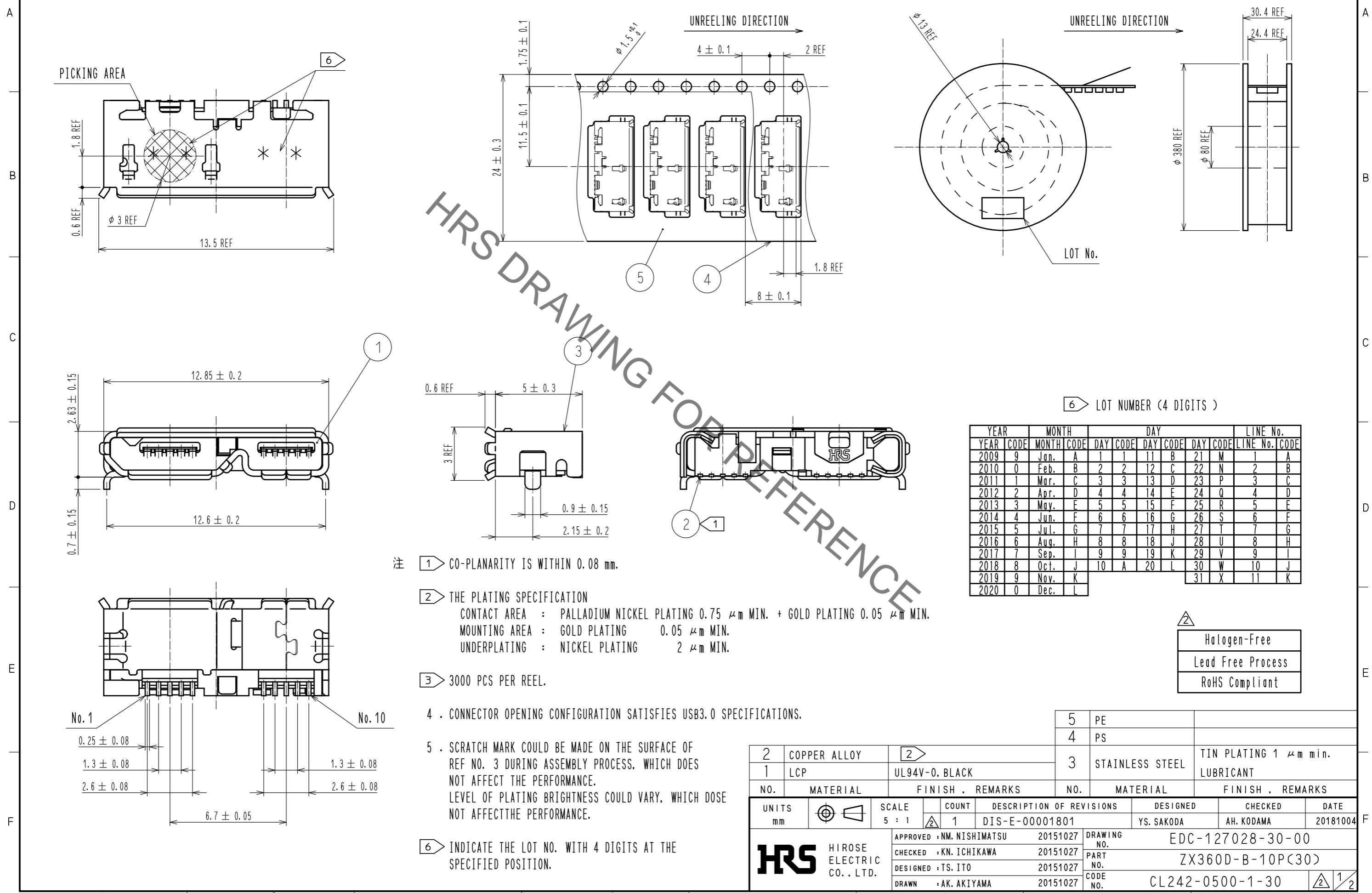


Sep.1.2019 Copyright 2019 HIROSE ELECTRIC CO., LTD. All Rights Reserved.
In case of consideration for using Automotive equipment / device which demand high reliability, kindly contact our sales window correspondents.

③ DRAWING FOR PACKAGING (FREE)



注 ① CO-PLANARITY IS WITHIN 0.08 mm.

② THE PLATING SPECIFICATION
 CONTACT AREA : PALLADIUM NICKEL PLATING 0.75 μm MIN. + GOLD PLATING 0.05 μm MIN.
 MOUNTING AREA : GOLD PLATING 0.05 μm MIN.
 UNDERPLATING : NICKEL PLATING 2 μm MIN.

③ 3000 PCS PER REEL.

4 . CONNECTOR OPENING CONFIGURATION SATISFIES USB3.0 SPECIFICATIONS.

5 . SCRATCH MARK COULD BE MADE ON THE SURFACE OF REF NO. 3 DURING ASSEMBLY PROCESS, WHICH DOES NOT AFFECT THE PERFORMANCE.
 LEVEL OF PLATING BRIGHTNESS COULD VARY, WHICH DOSE NOT AFFECT THE PERFORMANCE.

⑥ INDICATE THE LOT NO. WITH 4 DIGITS AT THE SPECIFIED POSITION.

⑥ LOT NUMBER (4 DIGITS)

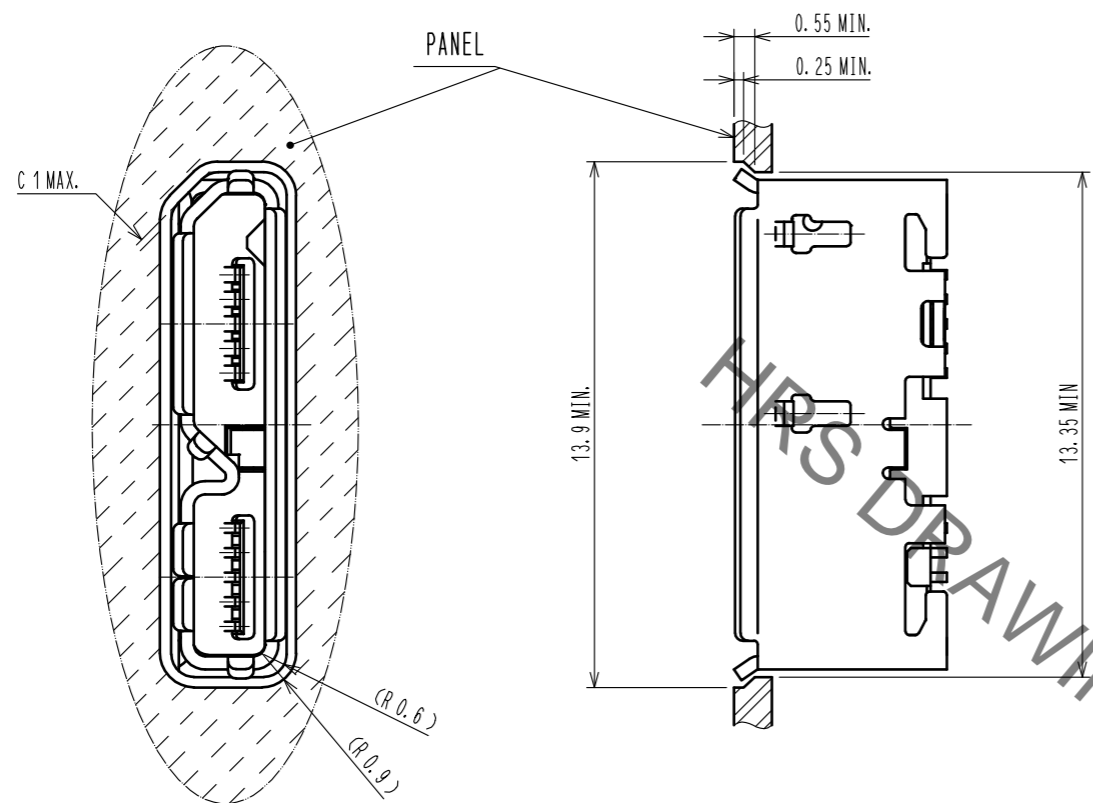
YEAR	MONTH	DAY	DAY	DAY	DAY	DAY	DAY	DAY	LINE No.		
YEAR CODE	MONTH CODE	DAY CODE	DAY CODE	DAY CODE	DAY CODE	DAY CODE	DAY CODE	DAY CODE	LINE No. CODE		
2009	9	Jan.	A	1	1	11	B	21	M	1	A
2010	0	Feb.	B	2	2	12	C	22	N	2	B
2011	1	Mar.	C	3	3	13	D	23	P	3	C
2012	2	Apr.	D	4	4	14	E	24	Q	4	D
2013	3	May.	E	5	5	15	F	25	R	5	E
2014	4	Jun.	F	6	6	16	G	26	S	6	F
2015	5	Jul.	G	7	7	17	H	27	T	7	G
2016	6	Aug.	H	8	8	18	J	28	U	8	H
2017	7	Sep.	I	9	9	19	K	29	V	9	I
2018	8	Oct.	J	10	A	20	L	30	W	10	J
2019	9	Nov.	K					31	X	11	K
2020	0	Dec.	L								

△ Halogen-Free
 Lead Free Process
 RoHS Compliant

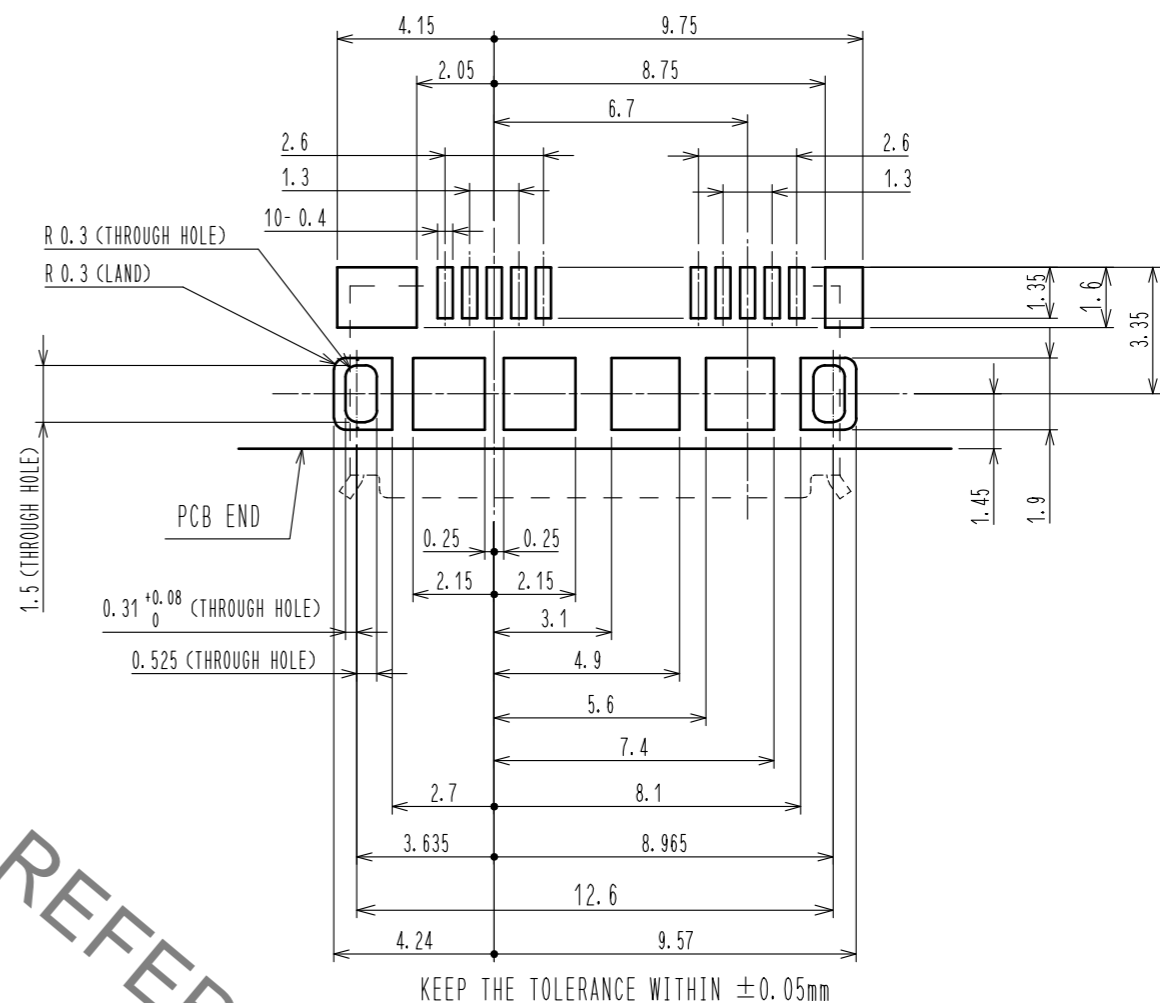
2	COPPER ALLOY	②	5	PE	
1	LCP	UL94V-0, BLACK	4	PS	
3	STAINLESS STEEL	TIN PLATING 1 μm min. LUBRICANT			
NO.	MATERIAL	FINISH . REMARKS	NO.	MATERIAL	FINISH . REMARKS
UNITS	mm	SCALE	5 : 1	COUNT	1
DESCRIPTION OF REVISIONS			DESIGNED	Y.S. SAKODA	CHECKED
DIS-E-00001801			DATE	20181004	
APPROVED : NM. NISHIMATSU 20151027			DRAWING NO. EDC-127028-30-00		
CHECKED : KN. ICHIKAWA 20151027			PART NO. ZX360D-B-10P(30)		
DESIGNED : TS. ITO 20151027			CODE NO. CL242-0500-1-30		
DRAWN : AK. AKIYAMA 20151027			② 1/2		

Sep.1.2019 Copyright 2019 HIROSE ELECTRIC CO., LTD. All Rights Reserved.
 In case of consideration for using Automotive equipment / device which demand high reliability, kindly contact our sales window correspondents.

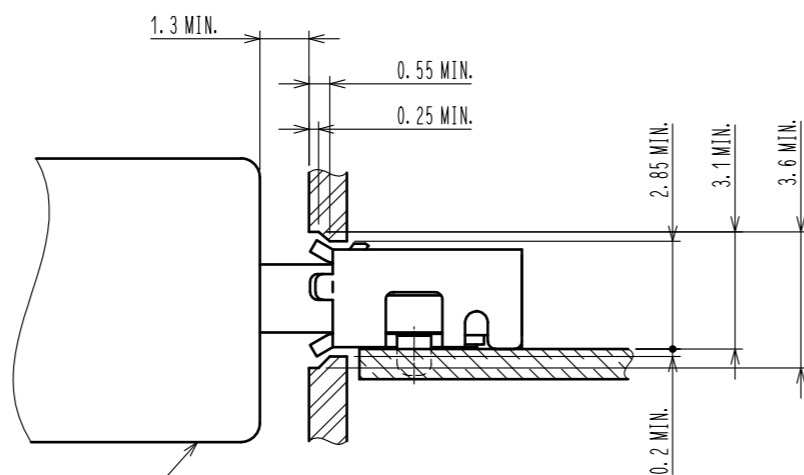
RECOMMENDED PANEL CUTOUT



PCB LAYOUT FOR REFERENCE.



MATED WITH CORRESPONDING PLUG



MicroUSB (TYPE B)
 (HIROSE'S MICRO USB 'ZX SERIES')

HRS	DRAWING NO.	EDC-127028-30-00
	PART NO.	ZX360D-B-10P(30)
	CODE NO.	CL242-0500-1-30
		2/2