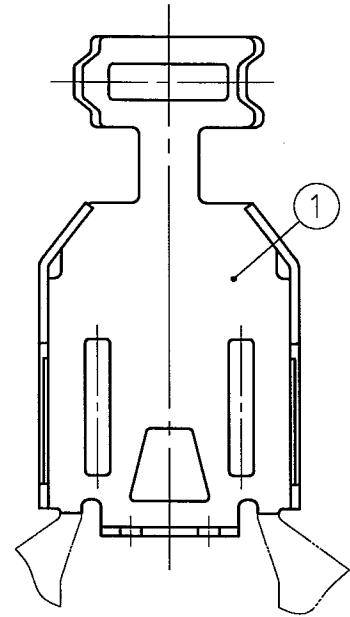
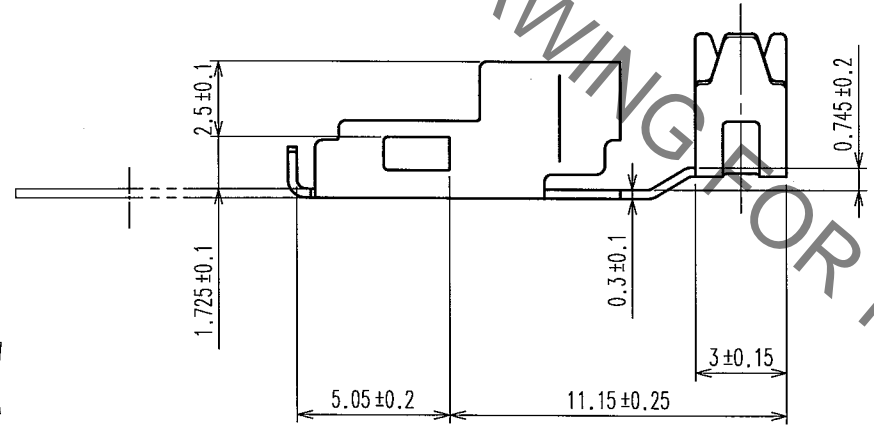
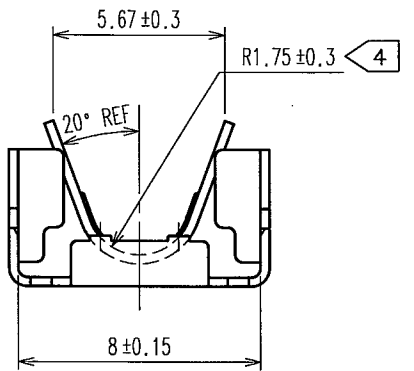
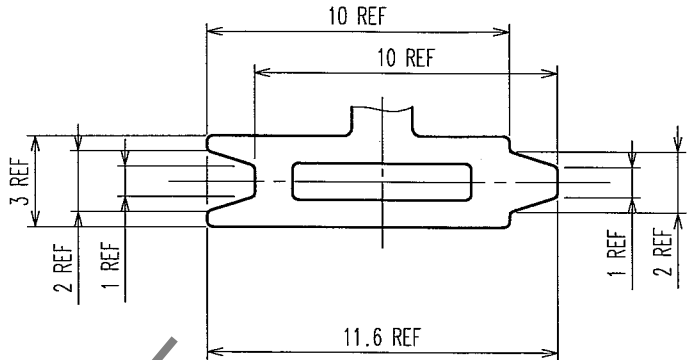


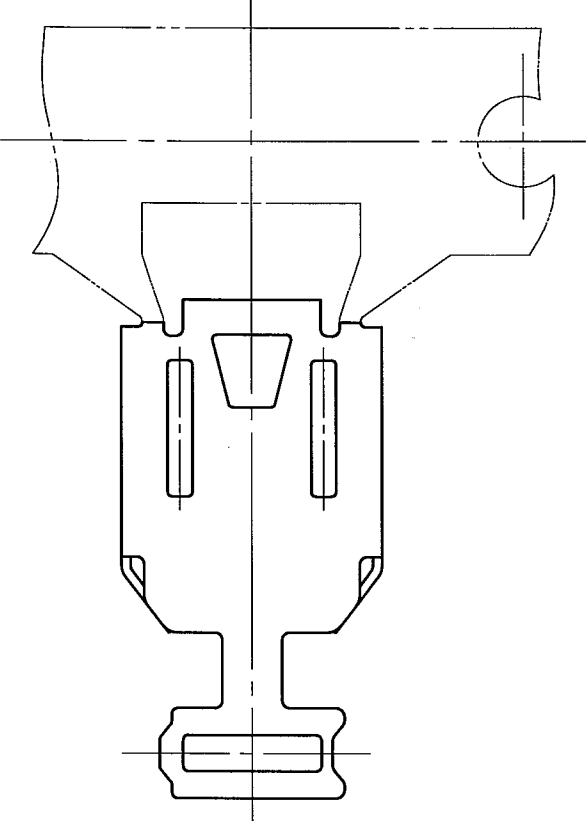
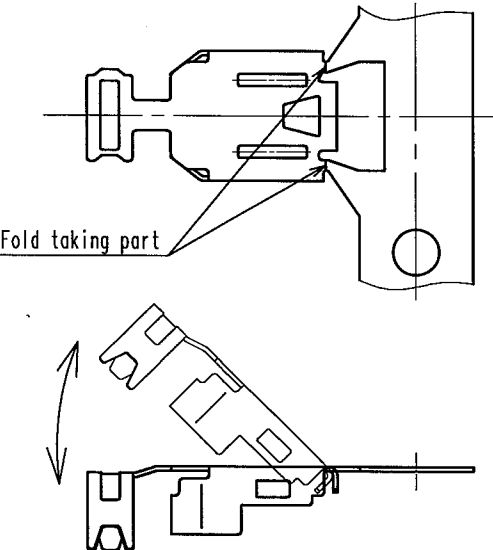
Oct.1.2019 Copyright 2019 HIROSE ELECTRIC CO., LTD. All Rights Reserved.
In case of consideration for using Automotive equipment / device which demand high reliability, kindly contact our sales window correspondents.



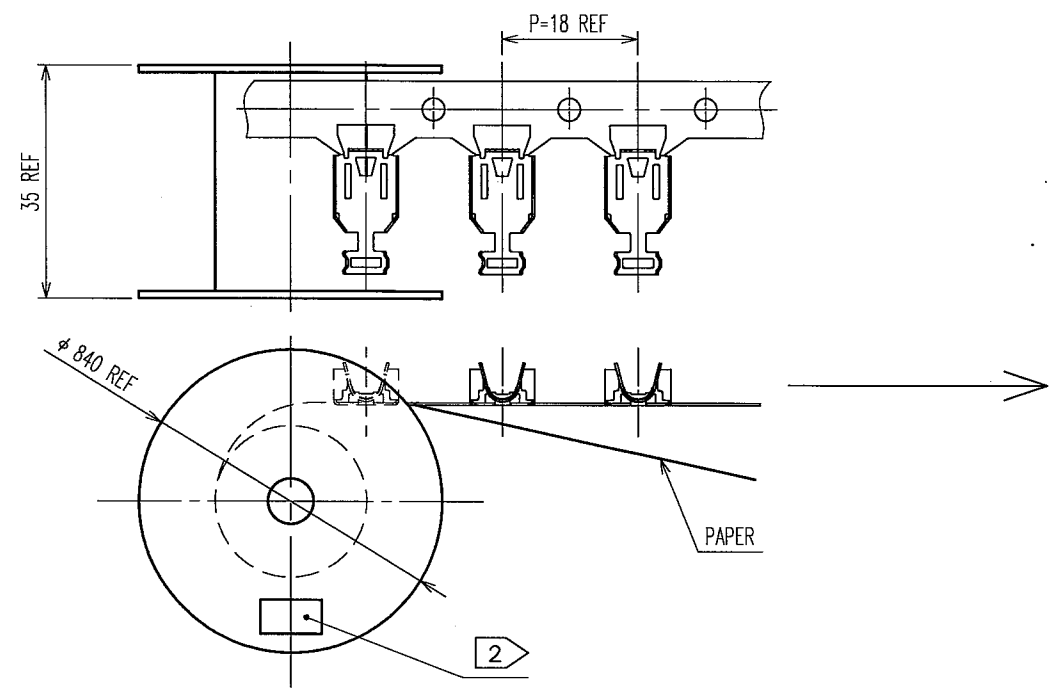
4 Fig - 3 DEVELOPMENT OF A CLAMPING PART



3 Fig - 2 CUT OFF A CAREER



1 Fig - 1 REELING



- NOTES
- 1 This is delivered by a reel.QTY:4000pcs
 - 2 Shown on a reel and a box is ; " Part No.", " Code No.", " Lot No.", " QTY"
 - 3 Cut off a career as shown in fig-2.
 - 4 This cable-clamping part is applied to φ 3.3mm cable.

| 1 | | STAINLESS STEEL | | | |
|----------------|------------------------------|--------------------|-----------------|-----------------|----------|
| NO. | MATERIAL | FINISH, REMARKS | | | |
| CODE NO. (OLD) | DRAWN | DESIGNED | CHECKED | APPROVED | RELEASED |
| | <i>Y. Takeuchi</i> | <i>Y. Takeuchi</i> | <i>H. Hongo</i> | <i>H. Hongo</i> | |
| | 06.11.21 | 06.11.21 | 06.11.21 | 06.11.21 | |
| SCALE | DRAWING NO. | | PART NO. | | |
| 4 : 1 | EDC3-126152 | | ZX40-SLDB(3.3) | | |
| UNITS | HRS HIROSE ELECTRIC CO., LTD | | CODE NO. | | 1/1 |
| mm | | | CL242-0023-4 | | |