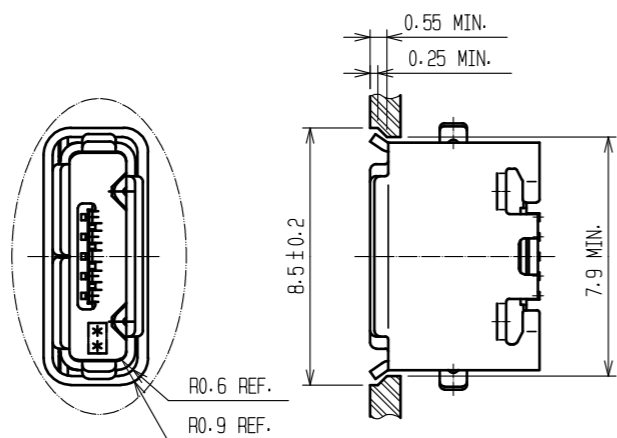
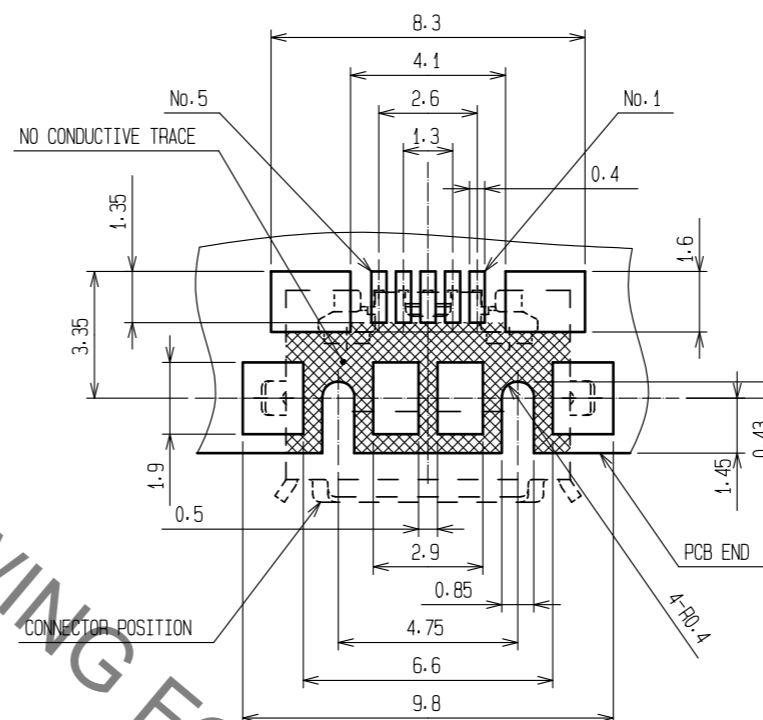


Oct.1.2019 Copyright 2019 HIROSE ELECTRIC CO., LTD. All Rights Reserved.  
 In case of consideration for using Automotive equipment / device which demand high reliability, kindly contact our sales window correspondents.

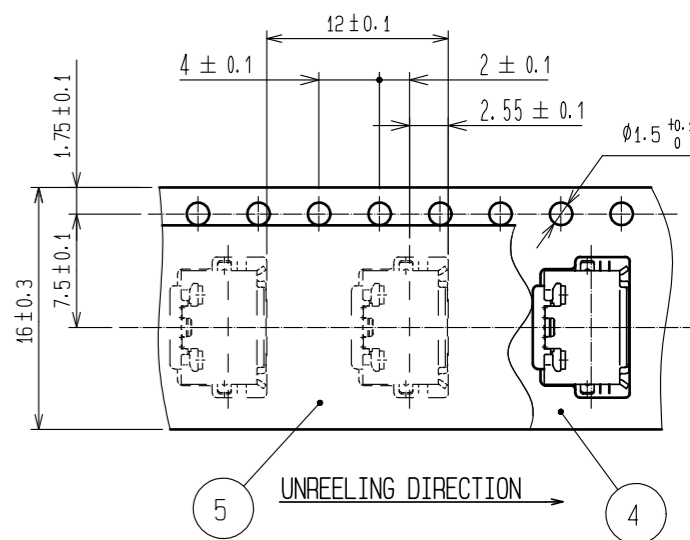
RECOMMENDED PANEL CUTOUT(4:1)



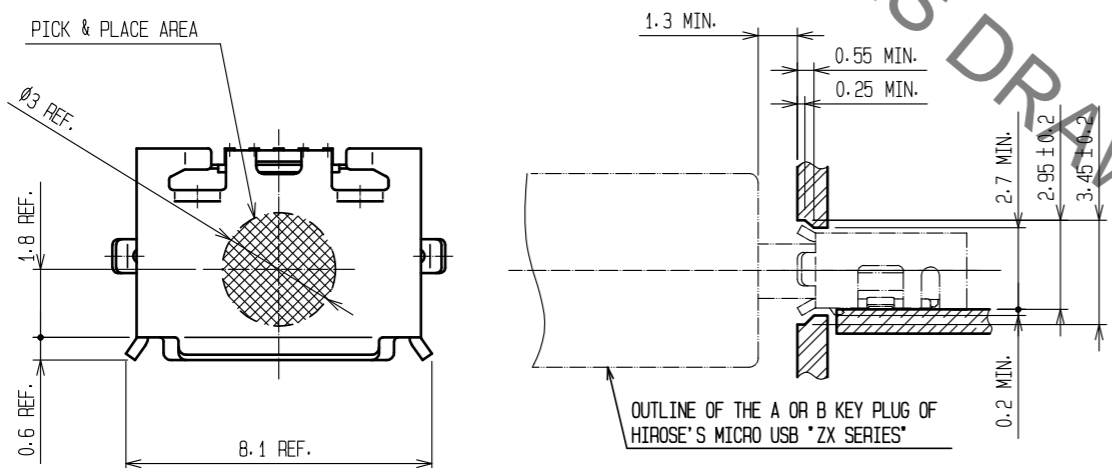
RECOMMENDED PC BOARD PATTERN



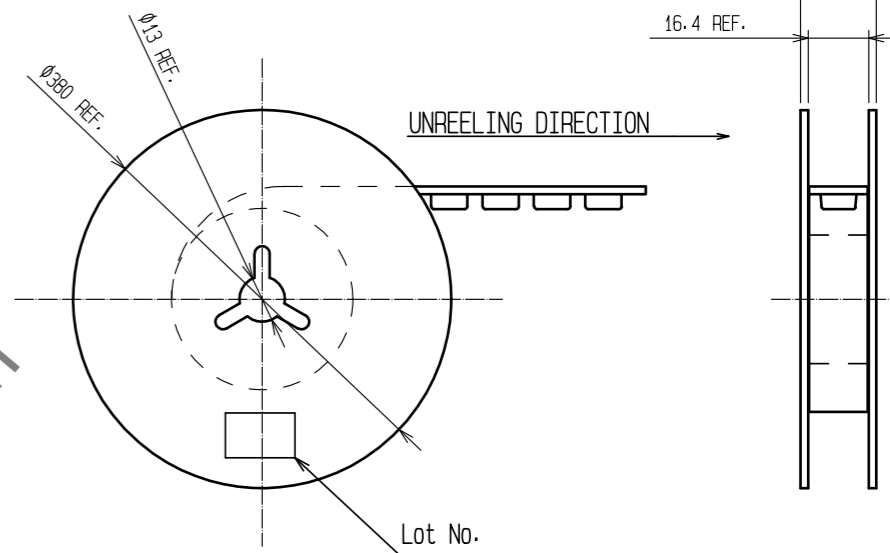
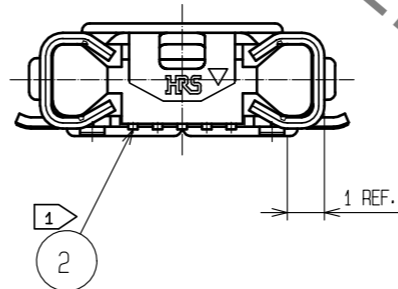
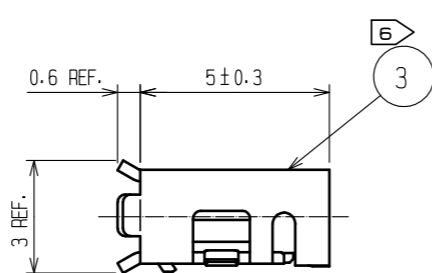
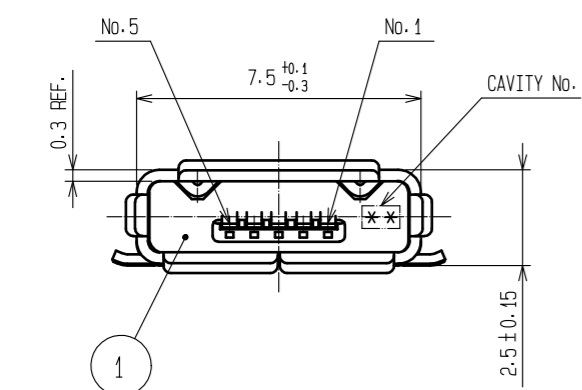
3 DRAWING FOR PACKING(FREE)



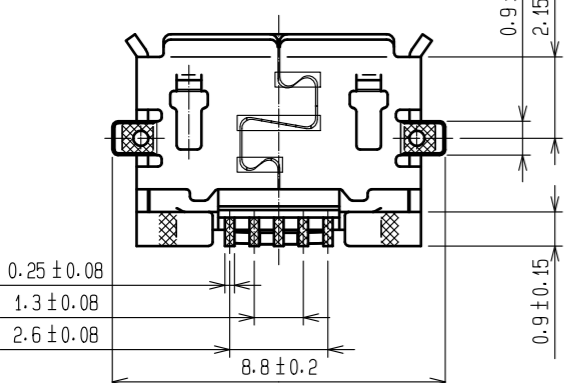
MATED WITH CORRESPONDING PLUG(4:1)



GENERAL TOLERANCE IS ±0.05mm



- NOTES. 1 CO-PLANARITY IS WITHIN 0.08mm MAX.  
 2 PLATING  
 CONTACT AREA :GOLD 0.75µm MIN.  
 LEAD AREA :GOLD 0.05µm MIN.  
 UNDER PLATING:NICKEL 2µm MIN.  
 3 PER REEL : 2000 pcs.  
 4. INTERFACE DIMENSIONS CONFORMS TO USB2.0 SPECIFICATION.  
 5. AS FOR PART No.3. THE PERFORMANCE REMAINS GOOD EVEN IF THERE IS A RUBBING WOUND BY THE ASSEMBLY PROCESS.  
 6 AS FOR PART No.3. THERE IS NO PROBLEM ON THE QUALITY THOUGH THERE MIGHT BE A DIFFERENCE IN THE COLOR DEPENDING ON THE PLATING PROCESSING LOT.



2	COPPER ALLOY	2	5	PE
1	LCP	GRAY UL94V-0	4	PS
			3	STAINLESS STEEL TIN PLATING 1µm Min. LUBRICANT
NO.	MATERIAL	FINISH . REMARKS	NO.	MATERIAL FINISH . REMARKS
UNITS	mm	SCALE	5 : 1	COUNT
DESCRIPTION OF REVISIONS		DESIGNED	CHECKED	DATE
APPROVED : NM. NISHIMATSU 15.10.27		DRAWING NO. EDC-126373-30-00		
CHECKED : KN. ICHIKAWA 15.10.27		PART NO. ZX62R-AB-5P(30)		
DESIGNED : TS. ITO 15.10.27		CODE NO. CL242-0035-3-30		
DRAWN : AK. AKIYAMA 15.10.27		1/1		