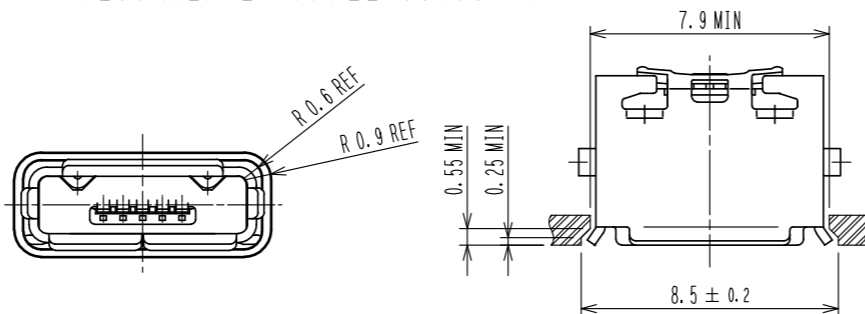
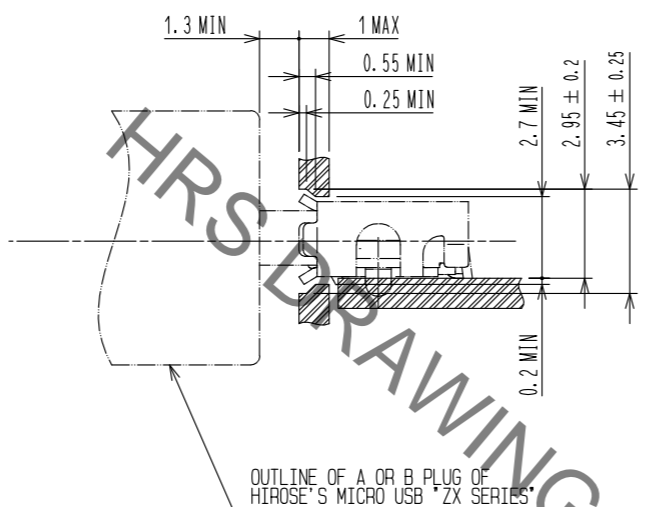


Oct.1.2019 Copyright 2019 HIROSE ELECTRIC CO., LTD. All Rights Reserved.  
 In case of consideration for using Automotive equipment / device which demand high reliability, kindly contact our sales window correspondents.

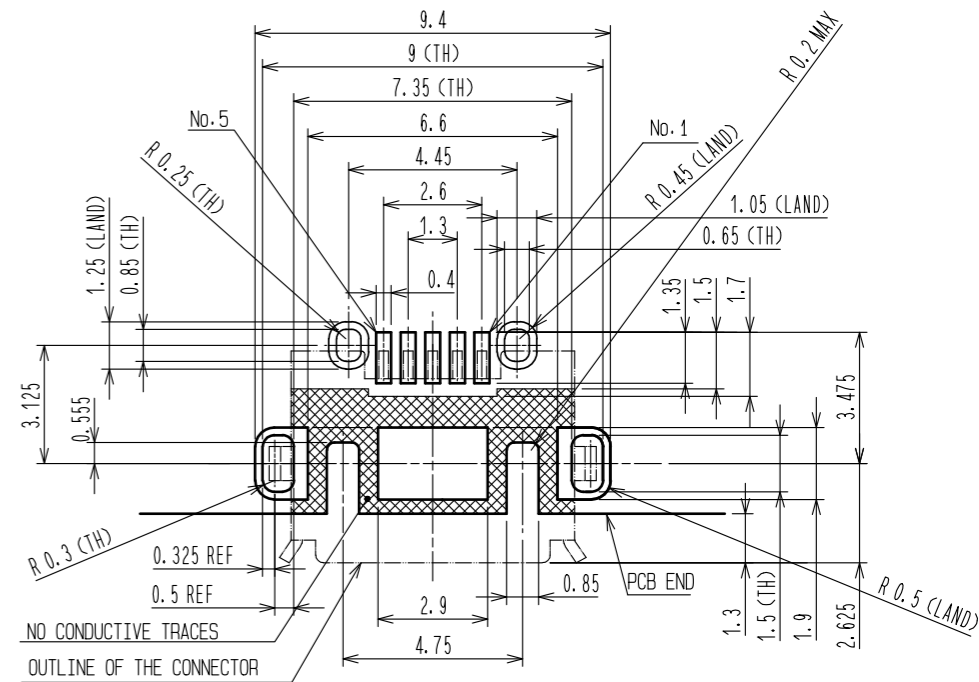
RECOMMENDED PANEL CUTOUT (4:1)



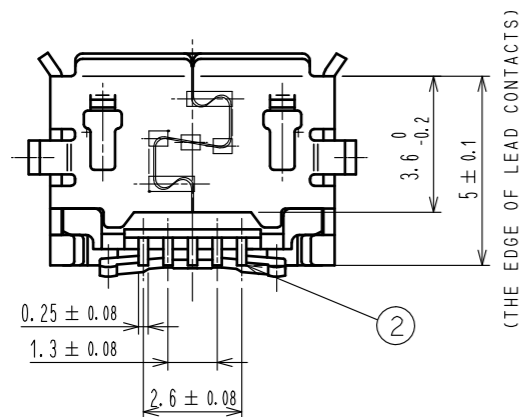
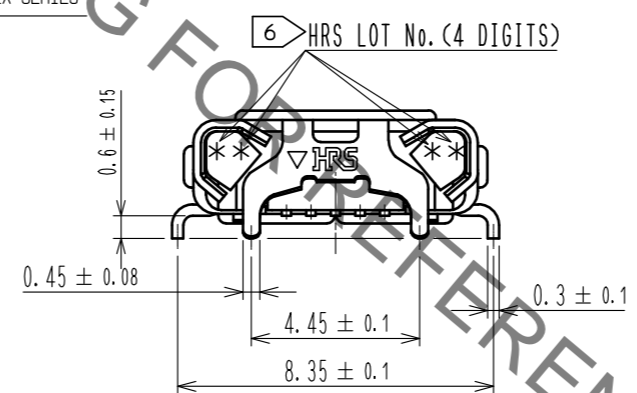
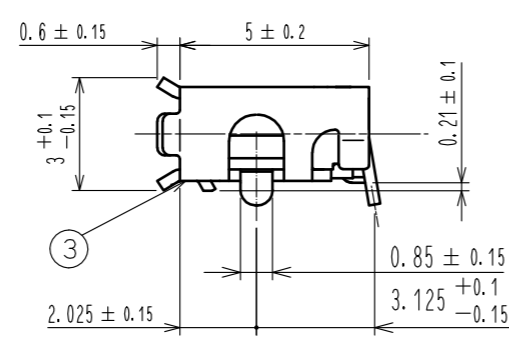
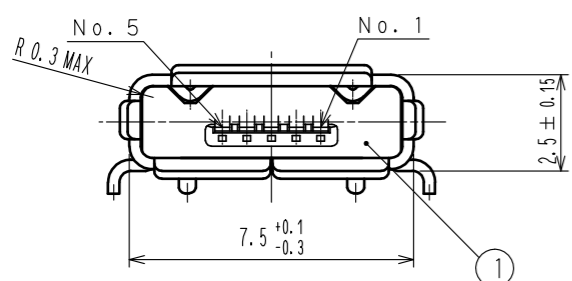
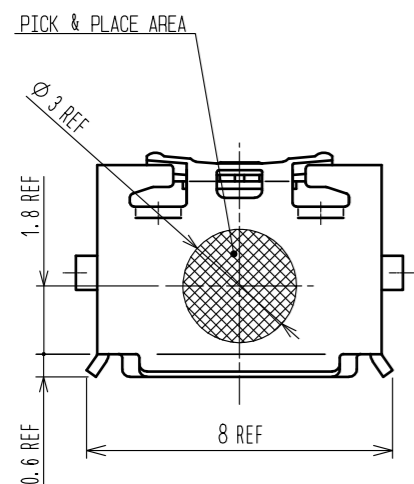
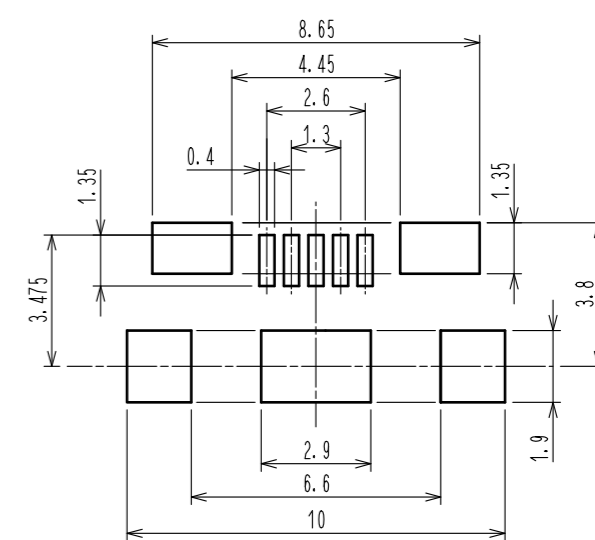
MATED WITH CORRESPONDING PLUG (4:1)



RECOMMENDED PATTERN  
 GENERAL TOLERANCE IS ±0.05



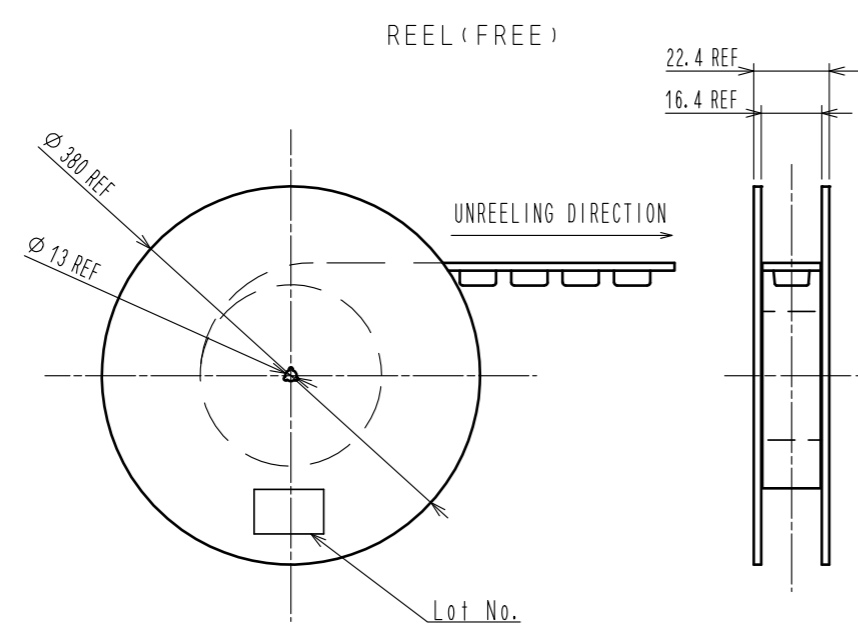
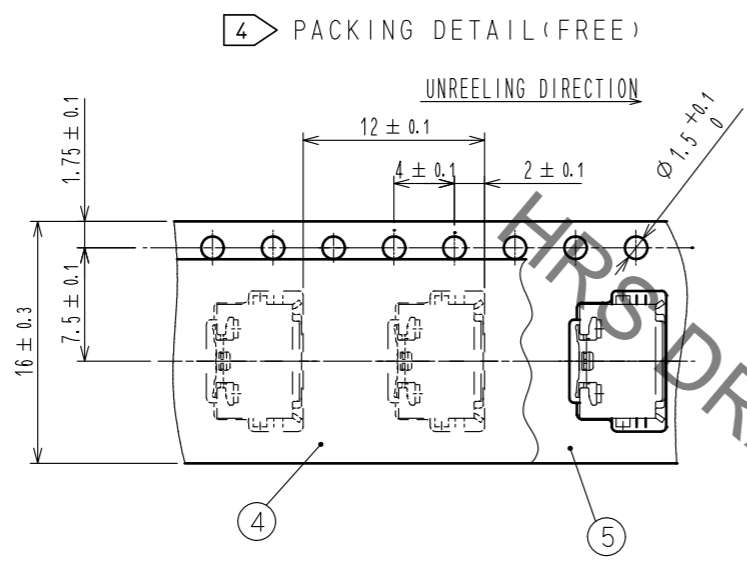
RECOMMENDED METAL MASK OPENING  
 RECOMMENDED METAL MASK THICKNESS: t=0.10



- NOTES.
1. INTERFACE DIMENSIONS CONFORMS TO USB2.0 SPECIFICATION.
  2. CO-PLANARITY IS WITHIN 0.08mm.
  3. PLATING  
 CONTACT AREA : GOLD 0.75μm MIN.  
 LEAD AREA : GOLD 0.05μm MIN.  
 UNDER PLATING: NICKEL 2μm MIN.
  4. PER REEL : 2000 pcs.
  5. AS FOR PART No. 3, THE PERFORMANCE REMAINS GOOD EVEN IF THERE IS A RUBBING WOUND BY THE ASSEMBLY PROCESS. AND THE PERFORMANCE REMAINS GOOD EVEN IF THERE IS A DIFFERENCE OF THE COLOR OF PLATING WITH THE MANUFACTURING LOT.
  6. CODE CONFIGURATION IS SHOWN IN FIG. 1.

2	COPPER ALLOY	3	5	PE	
1	LCP	COLOR GRAY UL94V-0	4	PS	
			3	STAINLESS STEEL	UNDER PLATING: NICKEL MOUNTING AREA: TIN LUBRICANT
NO.	MATERIAL	FINISH . REMARKS	NO.	MATERIAL	FINISH . REMARKS
UNITS mm		SCALE 5 : 1	COUNT	DESIGNED	CHECKED
<b>HRS</b> HIROSE ELECTRIC CO., LTD.		APPROVED : NM. NISHIMATSU	15.10.27	DRAWING NO. EDC-126189-30-00	
		CHECKED : KN. ICHIKAWA	15.10.27	PART NO. ZX62RD-AB-5P8(30)	
		DESIGNED : TS. ITO	15.10.27	CODE NO. CL242-0025-0-30	
		DRAWN : AK. AKIYAMA	15.10.27	1/2	

Oct.1.2019 Copyright 2019 HIROSE ELECTRIC CO., LTD. All Rights Reserved.  
 In case of consideration for using Automotive equipment / device which demand high reliability, kindly contact our sales window correspondents.



6 FIG.1 LOT CODE CONFIGURATIONS FOR 4 DIGITS

YEAR		MONTH		DAY						LINE No.	
YEAR	CODE	MONTH	CODE	DAY	CODE	DAY	CODE	DAY	CODE	LINE No.	CODE
2007	7	Jan.	A	1	1	11	B	21	M	1	A
2008	8	Feb.	B	2	2	12	C	22	N	2	B
2009	9	Mar.	C	3	3	13	D	23	P	3	C
2010	0	Apr.	D	4	4	14	E	24	Q	4	D
2011	1	May.	E	5	5	15	F	25	R	5	E
		Jun.	F	6	6	16	G	26	S	6	F
		Jul.	G	7	7	17	H	27	T	7	G
		Aug.	H	8	8	18	J	28	U	8	H
		Sep.	I	9	9	19	K	29	V	9	I
		Oct.	J	10	A	20	L	30	W	10	J
		Nov.	K					31	X	11	K
		Dec.	L								

**HRS**

DRAWING NO.	EDC-126189-30-00
PART NO.	ZX62RD-AB-5P8(30)
CODE NO.	CL242-0025-0-30

2/2