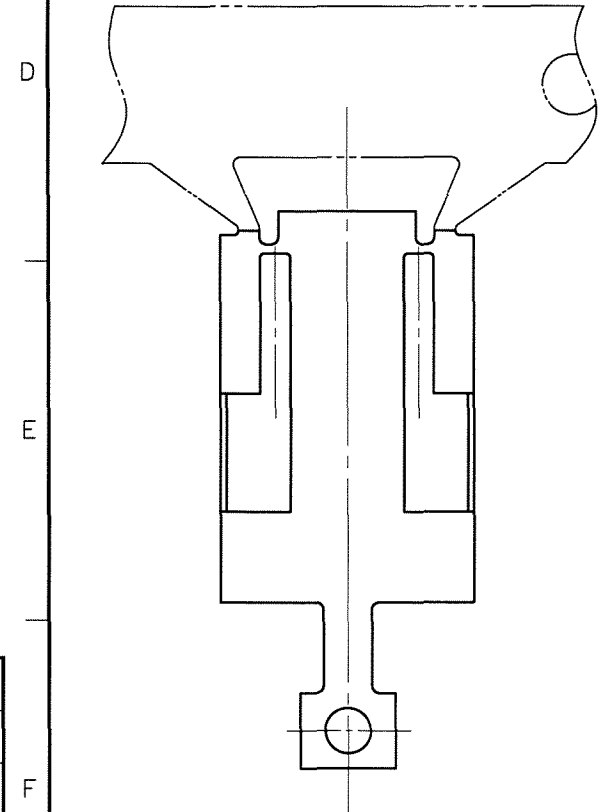
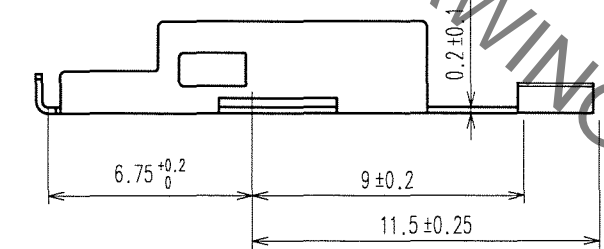
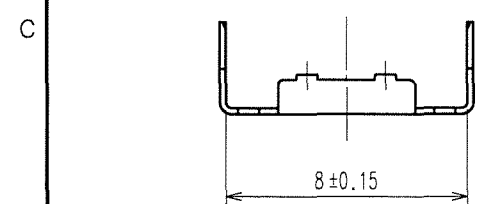
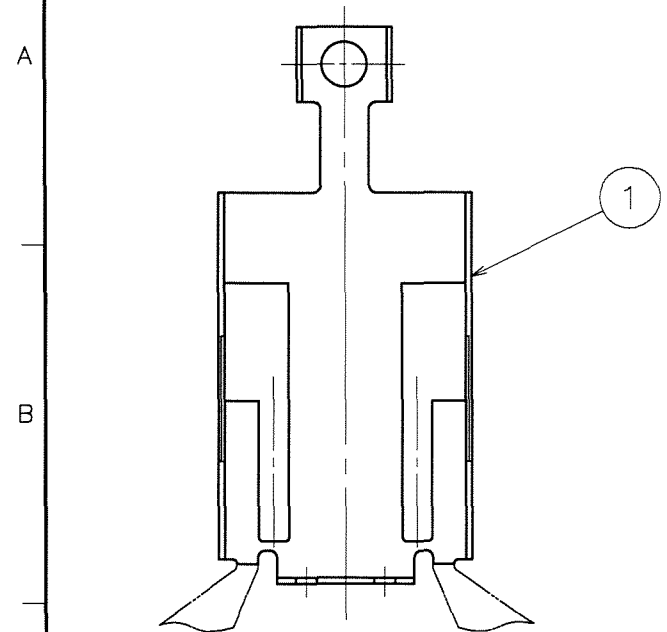
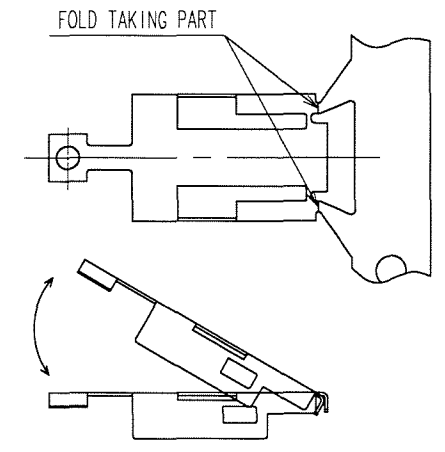


Oct.1.2019 Copyright 2019 HIROSE ELECTRIC CO., LTD. All Rights Reserved.  
In case of consideration for using Automotive equipment / device which demand high reliability, kindly contact our sales window correspondents.

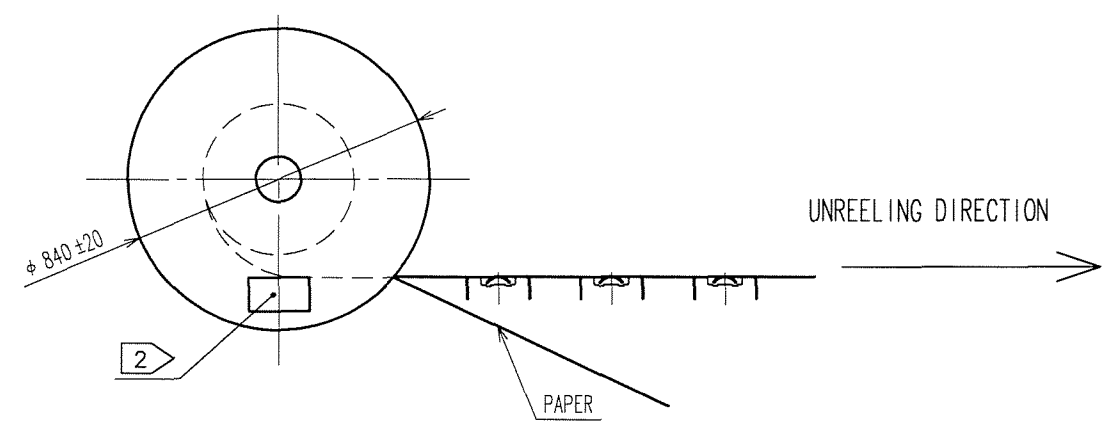
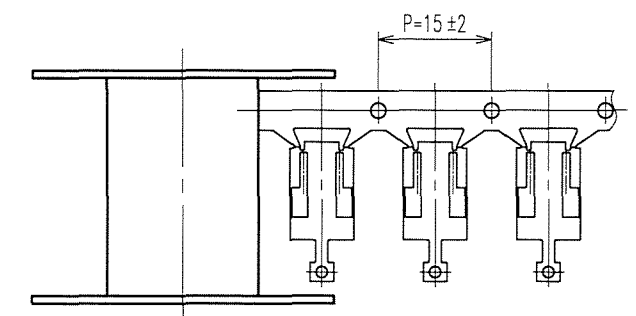
COUNT	DESCRIPTION OF REVISIONS	BY	CHKD	DATE	COUNT	DESCRIPTION OF REVISIONS	BY	CHKD	DATE
△				..	△				..
△				..	△				..
△				..	△				..



3 Fig-2 CUT OFF A CAREER(FREE)



1 Fig-1 REELING (FREE)



HRS DRAWING FOR REFERENCE

- NOTE
- 1 THIS IS DELIVERED BY A REEL.QTY:4000PCS.
  - 2 SHOWN ON A REEL AND A BOX IS ; \*PART No. \*, \*CODE No. \*, \*LOT No. \*, \*QTY\*
  - 3 CUT OFF A CAREER AS SHOWN IN FIG-2.

TO

NO.	MATERIAL	FINISH, REMARKS	NO.	MATERIAL	FINISH, REMARKS
			1	STAINLESS STEEL	
CODE NO. (OLD)		DRAWN	DESIGNED	CHECKED	APPROVED
		<i>M. Hingano</i>	<i>M. Hingano</i>	<i>K. Kishino</i>	<i>Shigehiko</i>
		07.10.16	07.10.16	07.10.16	07.10.16
DRAWING NO.		PART NO.			
EDC3-126576		ZX64-SLDB			
UNITS		CODE NO.			
mm		CL242-0049-8			