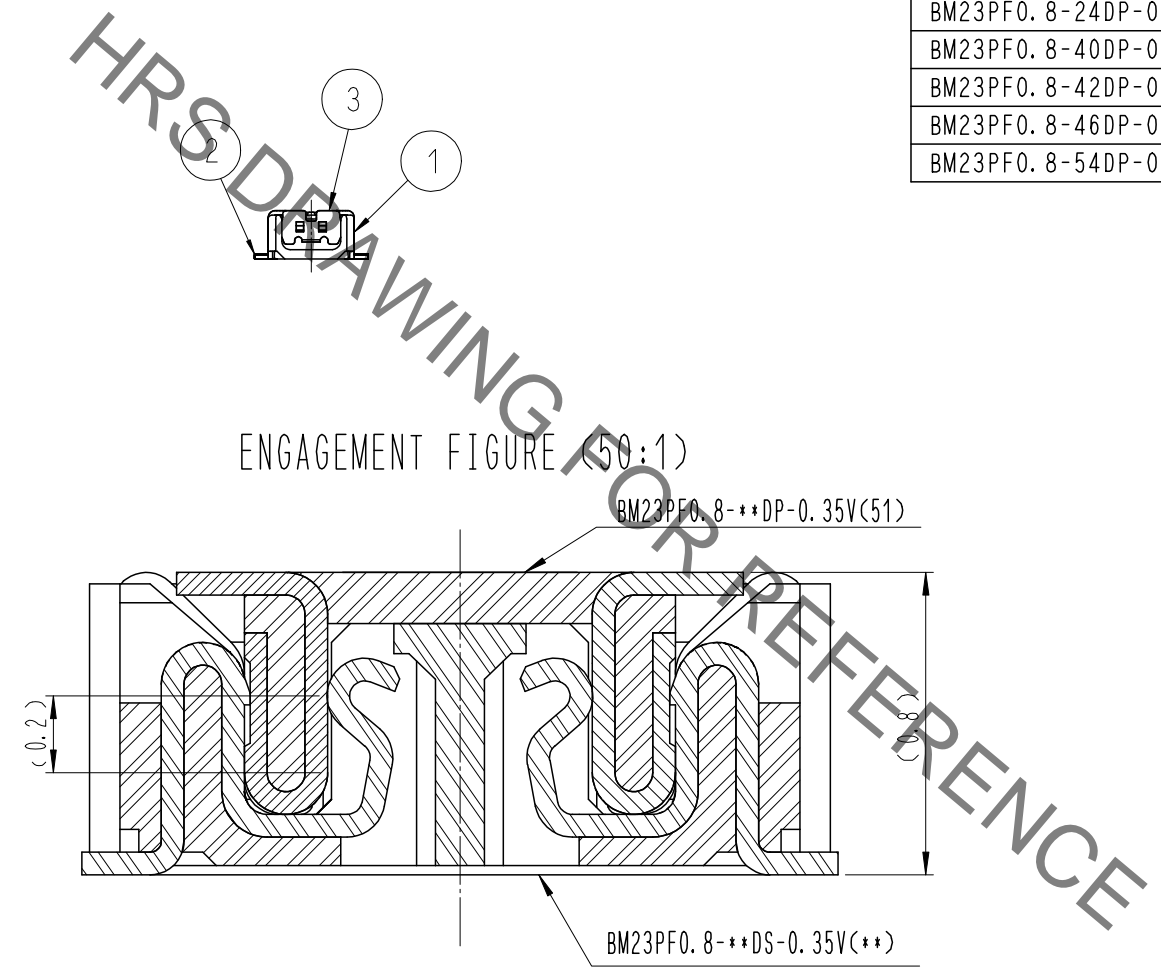
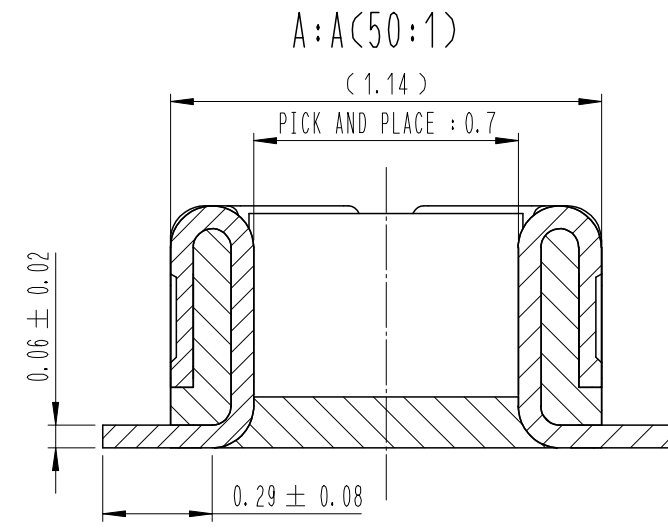
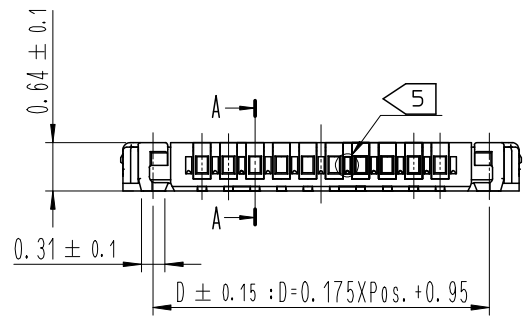
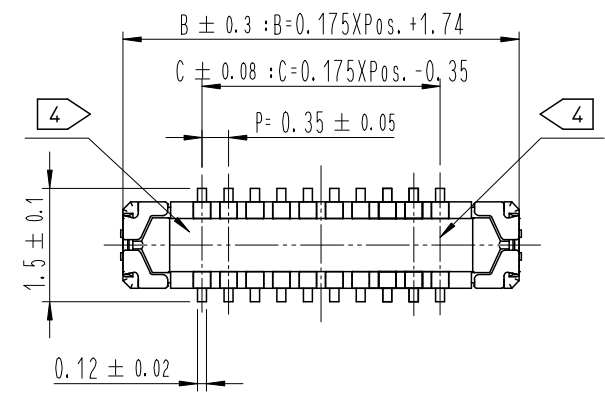


Jun.1.2020 Copyright 2020 HIROSE ELECTRIC CO., LTD. All Rights Reserved.  
In case of consideration for using Automotive equipment / device which demand high reliability, kindly contact our sales window correspondents.

DRAWING FOR REFERENCE  
This is subject to change without notice

COUNT	DESCRIPTION OF REVISIONS	B	Y	CHKD	DATE	COUNT	DESCRIPTION OF REVISIONS	B	Y	CHKD	DATE
2	RE-6-0742			LYJ	JHW	16.09.27					
3	RE-6-0806			MSH	JHW	17.01.05					



△ PART No.	CODE No.	POS.	B	C	D
BM23PF0.8-10DP-0.35V(51)	-	10	3.49	1.40	2.70
BM23PF0.8-14DP-0.35V(51)	-	14	4.19	2.10	3.40
BM23PF0.8-20DP-0.35V(51)	-	20	5.24	3.15	4.45
BM23PF0.8-24DP-0.35V(51)	-	24	5.94	3.85	5.15
BM23PF0.8-40DP-0.35V(51)	-	40	8.74	6.65	7.95
BM23PF0.8-42DP-0.35V(51)	-	42	9.09	7.00	8.30
BM23PF0.8-46DP-0.35V(51)	-	46	9.79	7.70	9.00
BM23PF0.8-54DP-0.35V(51)	-	54	11.19	9.10	10.40

- NOTE
- 1. ALL LEAD CO-PLANARITY SHALL BE 0.08mm MAX.
  - 2. CONTACT PLATING SPECIFICATIONS.  
CONTACT AREA : GOLD 0.05 μm MIN.  
SMT LEAD : GOLD 0.05 μm MIN.  
UNDER PLATING : NICKEL 1 μm MIN.  
( SURFACE : SEALING )
  - 3. METAL FITTING PLATING SPECIFICATIONS.  
SMT LEAD : GOLD 0.05 μm MIN.  
UNDERPLATING : NICKEL 1 μm MIN.  
( SURFACE : SEALING )
  - 4. HRS MARK AND CAV No. ARE INDICATED IN APPROX POSITION SHOWN.
  - 5. A PART OF THE WALL COULD BE NOTCHED.

NO.	MATERIAL	FINISH, REMARKS	NO.	MATERIAL	FINISH, REMARKS
4	PS	CLEAR (EMBOSSED CARRIER TAPE)			
3	△ COOPER ALLOY	3	7	PS	CLEAR (REINFORCEMENT COLLAR)
2	△ COOPER ALLOY	2	6	PS	BLACK (PLASTIC REEL)
1	LCP	UL94 V-0, BLACK	5	POLYESTER	CLEAR (COVER TAPE)

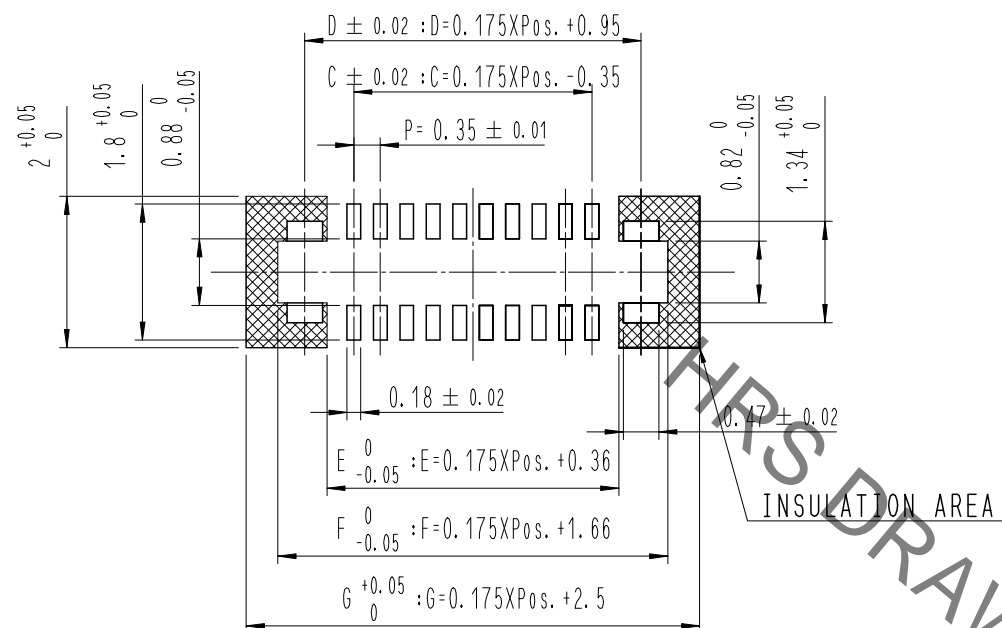
REMARKS	DRAWN	DESIGNED	CHECKED	APPROVED	RELEASED
	Y. J. LEE	Y. J. LEE	H. W. JO	T. S. KANG	15.11.23
	15.11.23	15.11.23	15.11.23	15.11.23	15.11.23

CODE NO. (OLD)	DRAWING NO. EDC3-*****	PART NO. BM23PF0.8-**-DP-0.35V(51)
SCALE 10:1	HRS HIROSE KOREA CO., LTD.	CODE NO. CL 66**-*****-***
UNITS mm		1/3

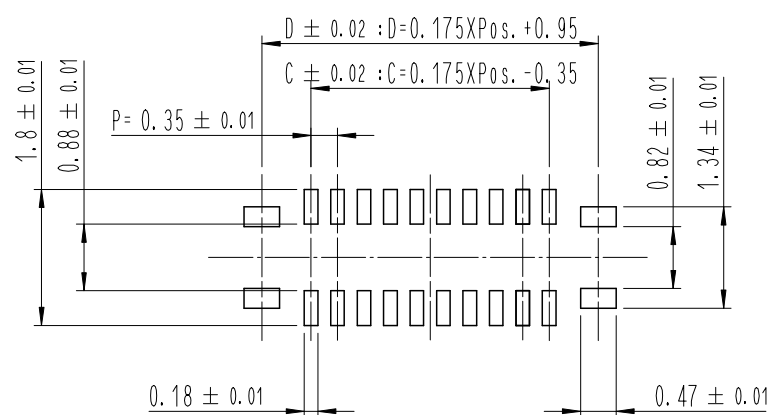
Jun.1.2020 Copyright 2020 HIROSE ELECTRIC CO., LTD. All Rights Reserved.  
In case of consideration for using Automotive equipment / device which demand high reliability, kindly contact our sales window correspondents.

7 RECOMMENDED PCB LAYOUT



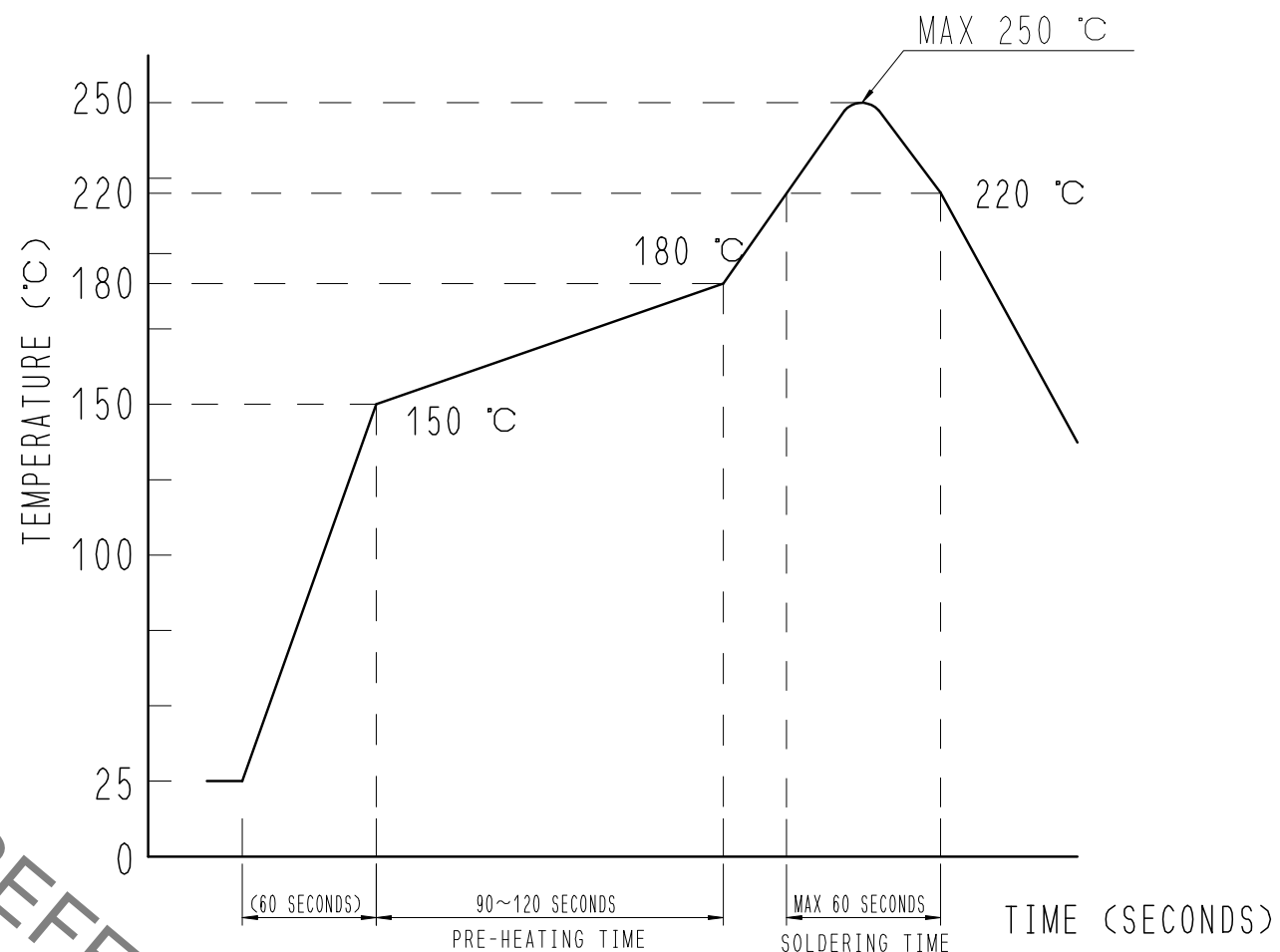
RECOMMENDED METAL MASK DIMENSIONS

METAL MASK THICKNESS : 100 μm



POS.	C	D	E	F	G
10	1.40	2.70	2.11	3.41	4.25
14	2.10	3.40	2.81	4.11	4.95
20	3.15	4.45	3.86	5.16	6.00
24	3.85	5.15	4.56	5.86	6.70
40	6.65	7.95	7.36	8.66	9.50
42	7.00	8.30	7.71	9.01	9.85
46	7.70	9.00	8.41	9.71	10.55
54	9.45	10.75	10.16	11.46	12.30

6 RECOMMENDED REFLOW TEMPERATURE PROFILE USING LEAD-FREE SOLDER PASTE.



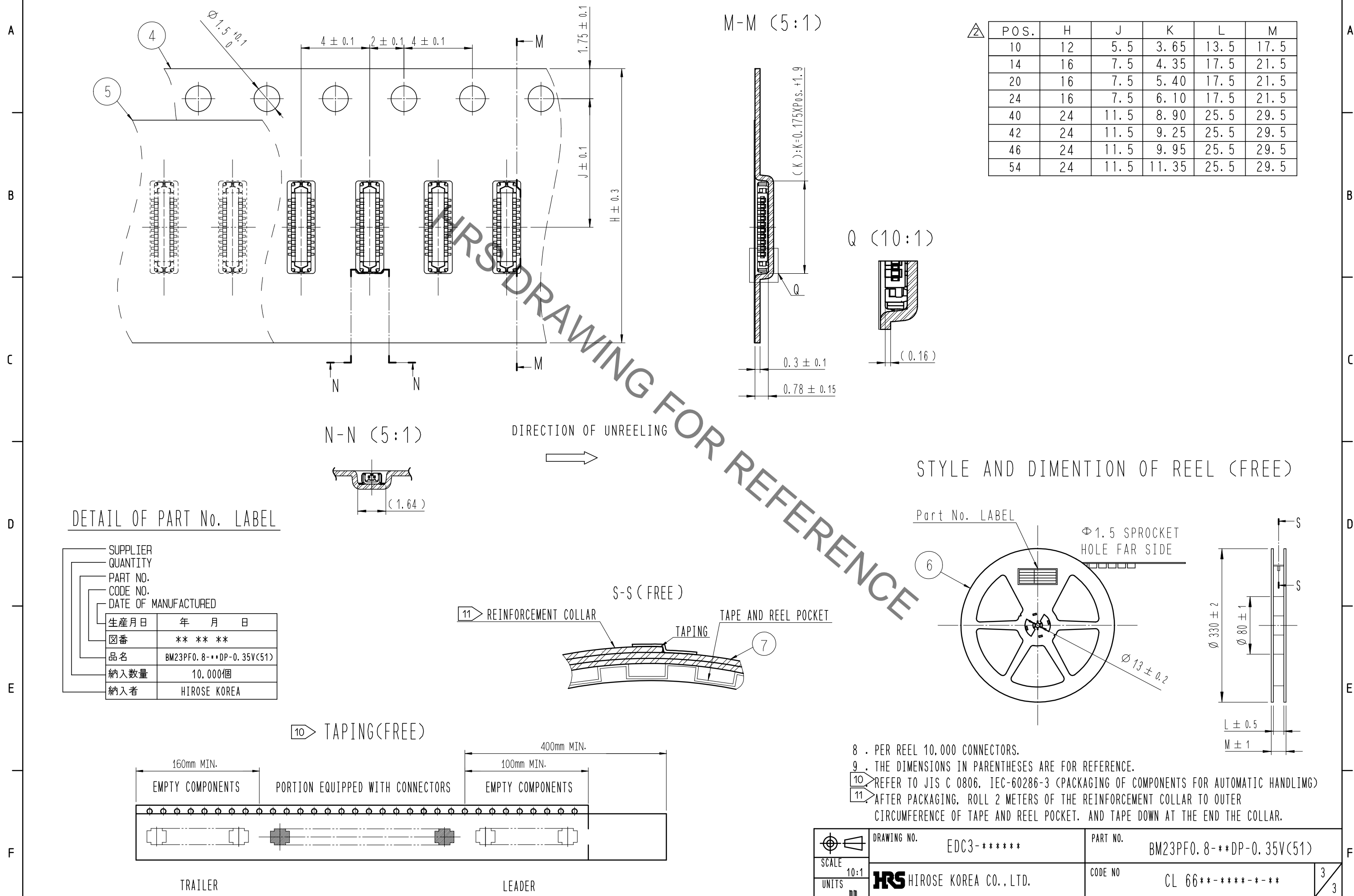
REFLOW METHOD: IR REFLOW  
 NUMBER OF REFLOW CYCLES: 2 CYCLES MAX.  
 1) REFLOW TIME  
 DURATION ABOVE 220°C: 60 SEC MAX.  
 (PEAK TEMPERATURE: 250°C MAX)  
 2) PRE-HEAT TIME  
 PRE-HEAT TEMPERATURE (MIN): 150°C  
 PRE-HEAT TEMPERATURE (MAX): 180°C  
 PRE-HEAT TIME: 90-120 SEC.

- 6 THIS TEMPERATURE PROFILE IS PER THE CONDITIONS SHOWN ABOVE. ADDITIONAL FACTORS, SUCH AS SOLDER PASTE TYPE, PCB SIZE AND OTHER MOUNTED COMPONENTS COULD AFFECT THE PROFILE, THEREFORE, A THOROUGH EVALUATION OF MOUNTING CONDITION IS REQUIRED PRIOR TO PRODUCTION. TEMPERATURE IS MEASURED AT CONTACT LEAD.
- 7 PLEASE CONTACT US IN CASE YOU WILL MAKE DIFFERENT SETTINGS FROM OUR RECOMMENDATION.

	DRAWING NO.	EDC3-*****	PART NO.	BM23PF0.8-***DP-0.35V(51)		
	SCALE	10:1	CODE NO	CL 66**-*****-***		
UNITS	mm	HIROSE KOREA CO., LTD.		<table border="1"> <tr> <td>2</td> <td>3</td> </tr> </table>	2	3
2	3					

Jun.1.2020 Copyright 2020 HIROSE ELECTRIC CO., LTD. All Rights Reserved.  
In case of consideration for using Automotive equipment / device which demand high reliability, kindly contact our sales window correspondents.

# EMBOSED CARRIER TAPE PACKAGING (5:1)



8 . PER REEL 10,000 CONNECTORS.  
9 . THE DIMENSIONS IN PARENTHESES ARE FOR REFERENCE.  
10 REFER TO JIS C 0806, IEC-60286-3 (PACKAGING OF COMPONENTS FOR AUTOMATIC HANDLING)  
11 AFTER PACKAGING, ROLL 2 METERS OF THE REINFORCEMENT COLLAR TO OUTER CIRCUMFERENCE OF TAPE AND REEL POCKET. AND TAPE DOWN AT THE END THE COLLAR.

SCALE 10:1	DRAWING NO.	EDC3-*****	PART NO.	BM23PF0.8-***DP-0.35V(51)
	UNITS mm	HRS HIROSE KOREA CO.,LTD.		CODE NO CL 66**-*****-***
				3/3