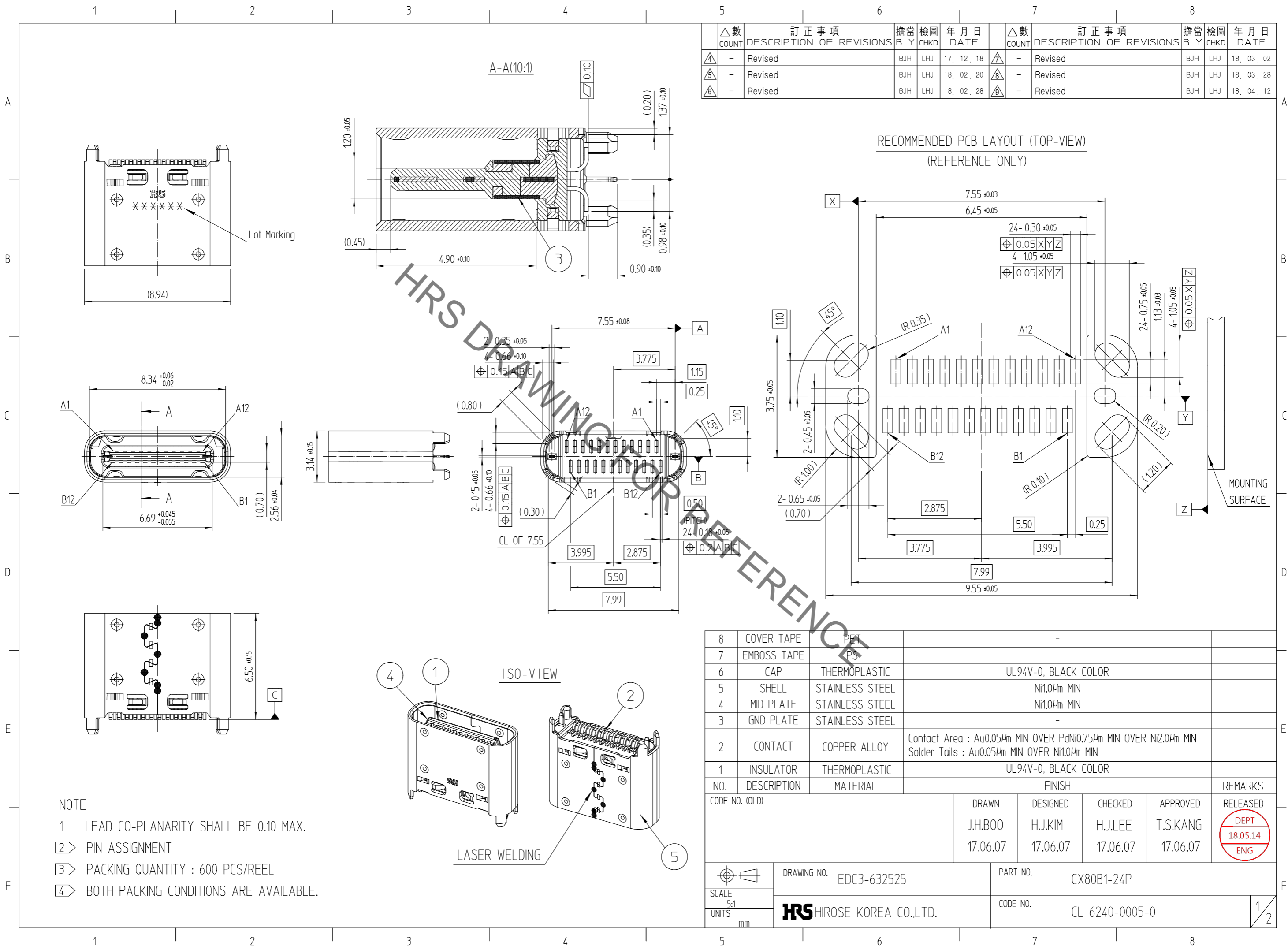


May.1.2020 Copyright 2020 HIROSE ELECTRIC CO., LTD. All Rights Reserved.
 In case of consideration for using Automotive equipment / device which demand high reliability, kindly contact our sales window correspondents.

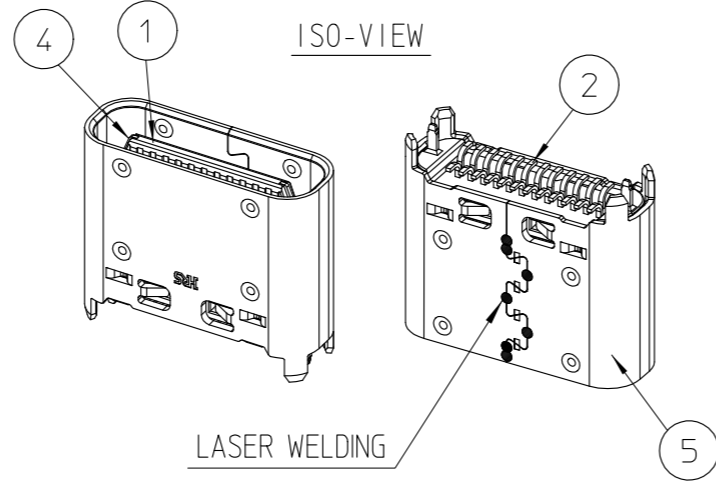


| △數 COUNT | 訂正事項 DESCRIPTION OF REVISIONS | 擔當 B | 檢圖 CHKD | 年月日 DATE | △數 COUNT | 訂正事項 DESCRIPTION OF REVISIONS | 擔當 B | 檢圖 CHKD | 年月日 DATE |
|-------------|----------------------------------|---------|------------|-------------|-------------|----------------------------------|---------|------------|-------------|
| ④ | - Revised | BJH | LHJ | 17. 12. 18 | ⑦ | - Revised | BJH | LHJ | 18. 03. 02 |
| ⑤ | - Revised | BJH | LHJ | 18. 02. 20 | ⑧ | - Revised | BJH | LHJ | 18. 03. 28 |
| ⑥ | - Revised | BJH | LHJ | 18. 02. 28 | ⑨ | - Revised | BJH | LHJ | 18. 04. 12 |

RECOMMENDED PCB LAYOUT (TOP-VIEW)
 (REFERENCE ONLY)

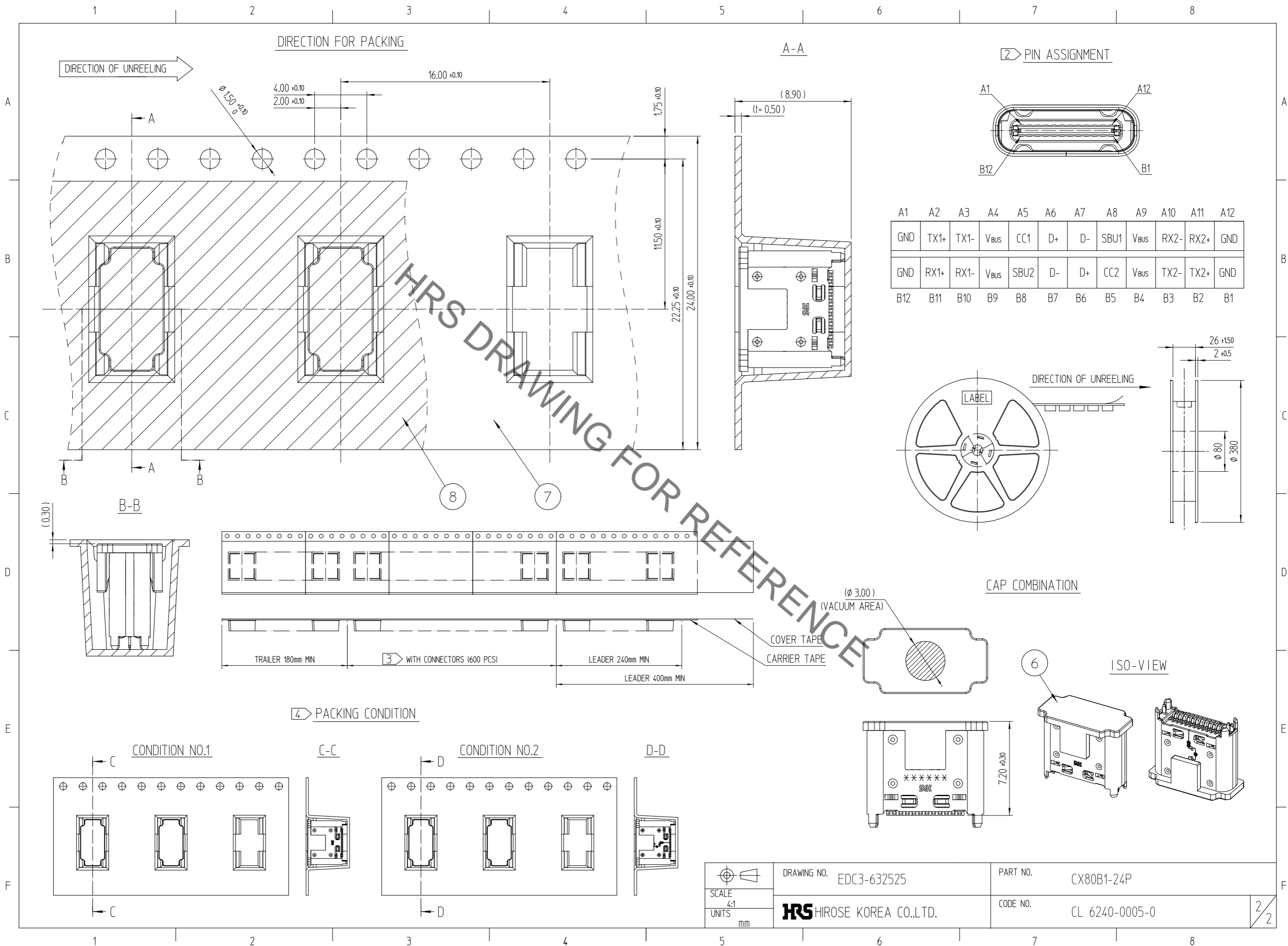
| NO. | DESCRIPTION | MATERIAL | FINISH | REMARKS |
|-----|-------------|-----------------|--|---------|
| 8 | COVER TAPE | PET | - | |
| 7 | EMBOSS TAPE | PS | - | |
| 6 | CAP | THERMOPLASTIC | UL94V-0, BLACK COLOR | |
| 5 | SHELL | STAINLESS STEEL | Ni1.0μm MIN | |
| 4 | MID PLATE | STAINLESS STEEL | Ni1.0μm MIN | |
| 3 | GND PLATE | STAINLESS STEEL | - | |
| 2 | CONTACT | COPPER ALLOY | Contact Area : Au0.05μm MIN OVER PdNi0.75μm MIN OVER Ni2.0μm MIN Solder Tails : Au0.05μm MIN OVER Ni1.0μm MIN | |
| 1 | INSULATOR | THERMOPLASTIC | UL94V-0, BLACK COLOR | |

- NOTE
- ① LEAD CO-PLANARITY SHALL BE 0.10 MAX.
 - ② PIN ASSIGNMENT
 - ③ PACKING QUANTITY : 600 PCS/REEL
 - ④ BOTH PACKING CONDITIONS ARE AVAILABLE.



| | | | | | |
|-----------------------------|------------------------------|---------------------------------|--------------------------------|----------------------------------|-------------------------------------|
| CODE NO. (OLD) | DRAWN J.H.BOO 17.06.07 | DESIGNED H.J.KIM 17.06.07 | CHECKED H.J.LEE 17.06.07 | APPROVED T.S.KANG 17.06.07 | RELEASED DEPT 18.05.14 ENG |
| DRAWING NO. EDC3-632525 | PART NO. CX80B1-24P | | | | |
| SCALE 5:1 UNITS mm | HIROSE KOREA CO.,LTD. | | CODE NO. CL 6240-0005-0 | 1/2 | |

May.1.2020 Copyright 2020 HIROSE ELECTRIC CO., LTD. All Rights Reserved.
In case of consideration for using Automotive equipment / device which demand high reliability, kindly contact our sales window correspondents.



| | | | | |
|-------|-------------|-------------|-----------------------|----------------|
| | DRAWING NO. | EDC3-632525 | PART NO. | CX80B1-24P |
| | SCALE | 4:1 | CODE NO. | CL 6240-0005-0 |
| UNITS | mm | | HIROSE KOREA CO.,LTD. | |