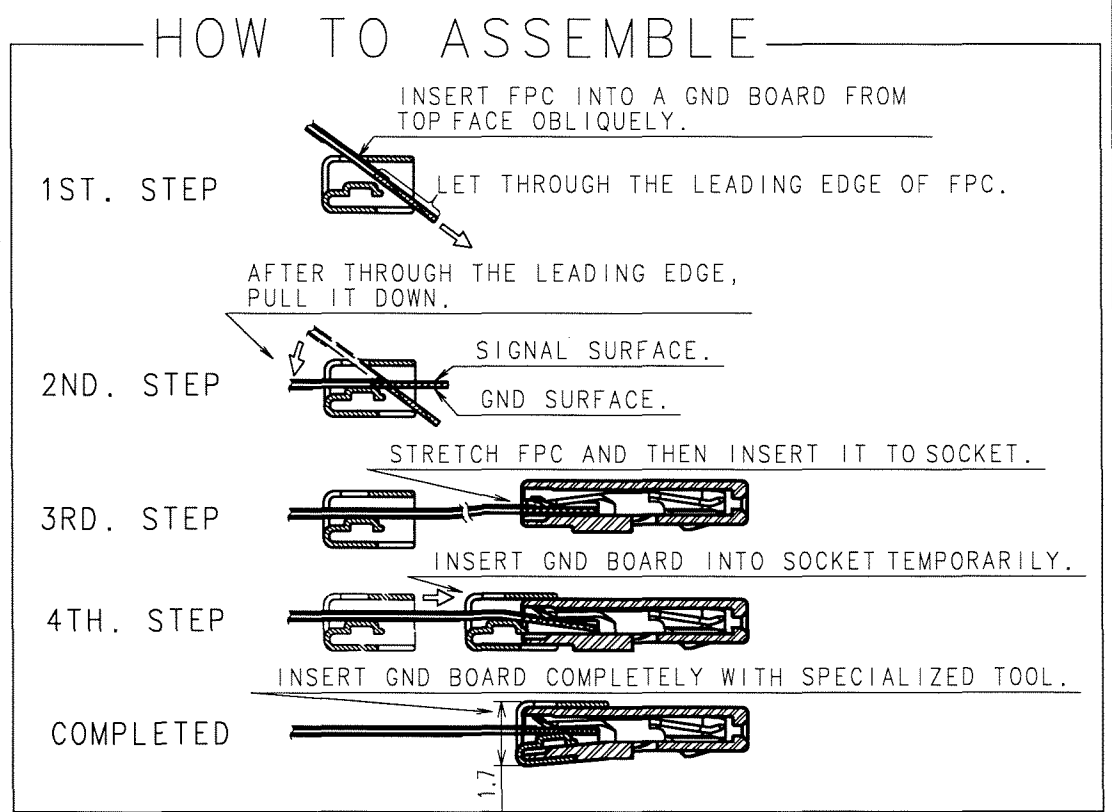
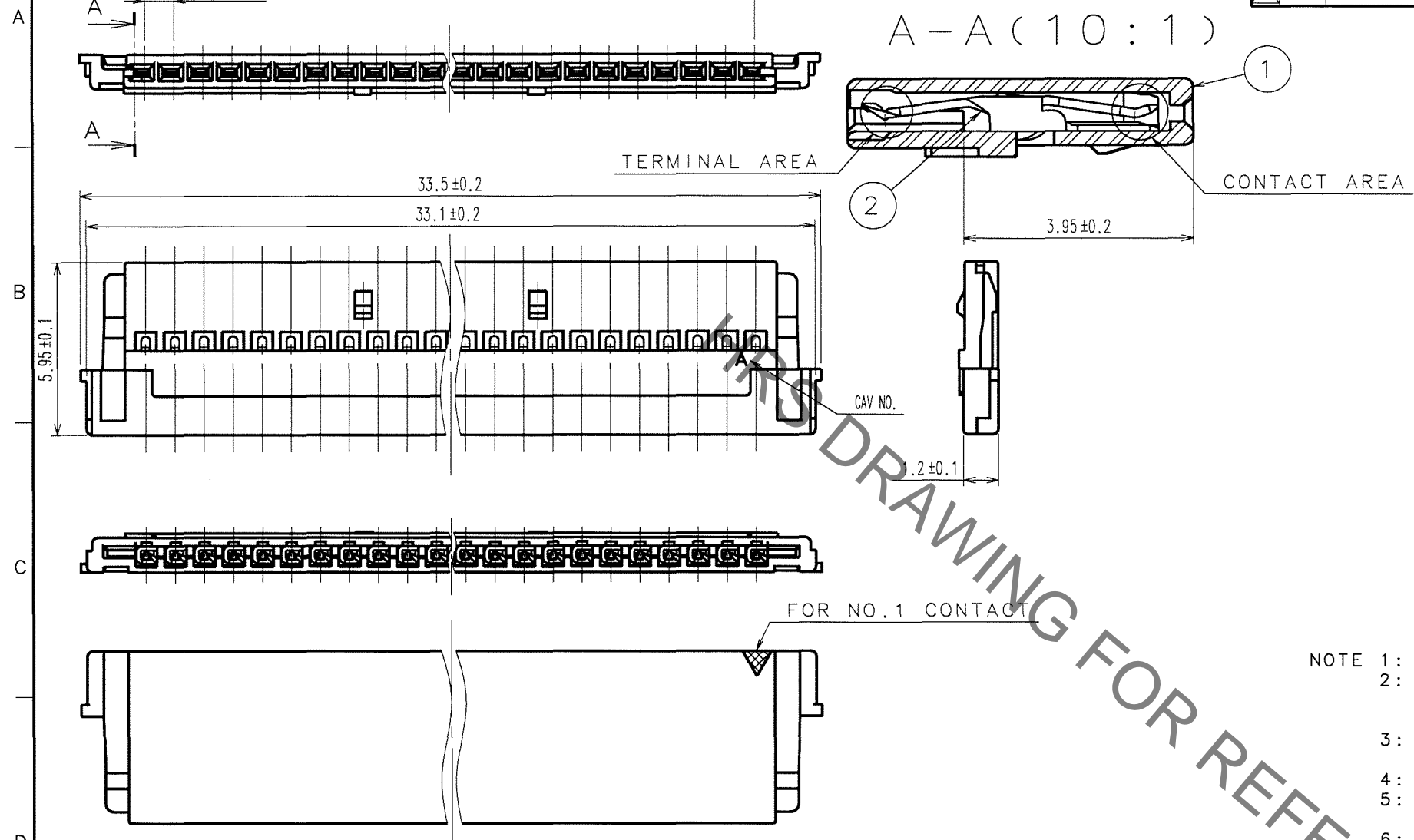
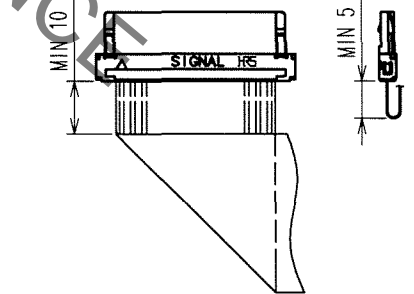


Jun.1.2020 Copyright 2020 HIROSE ELECTRIC CO., LTD. All Rights Reserved.
In case of consideration for using Automotive equipment / device which demand high reliability, kindly contact our sales window correspondents.

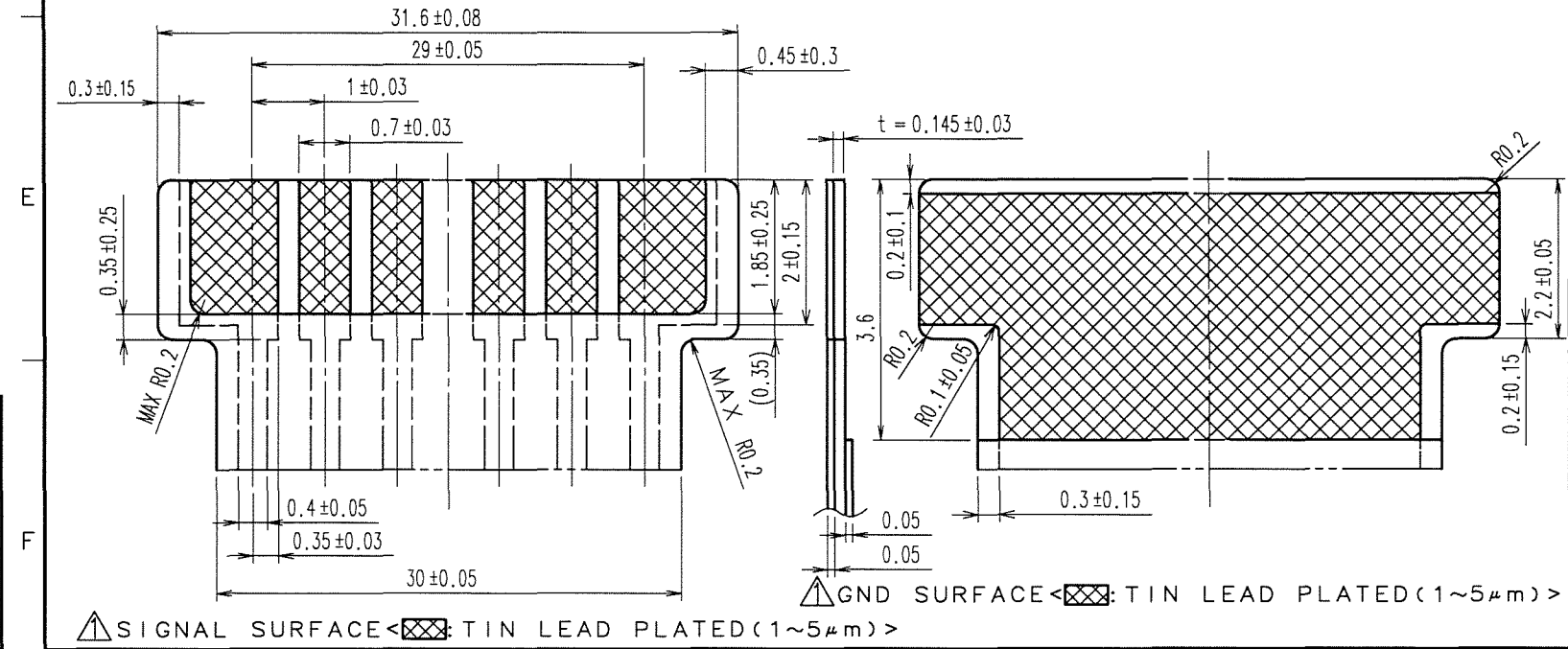
| COUNT | DESCRIPTION OF REVISIONS | BY | CHKD | DATE | COUNT | DESCRIPTION OF REVISIONS | BY | CHKD | DATE |
|-------|--------------------------|-----|------|----------|-------|--------------------------|----|------|------|
| 2 | DIS-H-000773 | I-D | H.V | 06.02.09 | | | | | |
| | | | | | | | | | |
| | | | | | | | | | |



- NOTE 1: TRAY PACKAGING. (100 PCS)
 2: GND BOARD AND SOCKET, EACH SHOULD BE TREATED AS A INDIVIDUAL PRODUCT, AND BE SUPPLIED INDIVIDUALLY. (GND BOARD:DF19G-30S-1F-GND(05)/CL685-0034-1-05)
 3: IF IT'S NEEDED TO CONNECT SIGNAL SURFACE AND GND, IT MUST BE DONE BY THROUGH HOLE ON FPC.
 4: USE SPECIALIZED TOOL TO ASSEMBLE FPC.
 5: INSERTION AND WITHDRAWAL OF CONNECTOR SHALL BE MADE PERPENDICULAR TO MATING SURFACE.
 6: THIS PRODUCT IS NOT INTENDED TO HAVE ANY STRAIN ON THE CONDUCTORS IN SUCH INSTANCE AS CLOSE-OPEN MOTION OF NOTEBOOK COMPUTER.
 7: BEND RADIUS OF FPC SHALL BE AS SPECIFIED BY THE FPC MANUFACTURER. BENDING POSITION TO BE AS SHOWN BELOW.



RECOMMENDED PATTERNS OF FPC(10:1)



| | | | | | | | |
|---------------|-----------|-------------------------|-------------------------------|-----------------|--|----------|----------|
| 1 | POLYAMIDE | UL94V-0, NATURAL(BEIGE) | 2 | PHOSPHOR BRONZE | CONTACT AREA: GOLD PLATED 0.1µm min | | |
| NO. | MATERIAL | FINISH, REMARKS | NO. | MATERIAL | TERMINAL AREA: TIN PLATED 1µm min | | |
| CODE NO.(OLD) | | | | | UNDER PLATED: NICKEL PLATED 0.5µm min | | |
| | | | | | FINISH, REMARKS | | |
| | | | DRAWN | DESIGNED | CHECKED | APPROVED | RELEASED |
| | | | A.Miyazaki | I.Denpouya | H.Umehara | T.Oma | |
| | | | 06.01.28 | 06.01.30 | 06.01.30 | 06.01.30 | |
| | | | DRAWING NO. EDC3-163241-01 | | PART NO. DF19G-30S-1F(05) | | |
| | | | SCALE 5:1 | | CODE NO. CL685-0033-9-05 | | |
| | | | UNITS mm | | HIROSE ELECTRIC CO.,LTD. | | |

| |
|----|
| TO |
| |
| |
| |