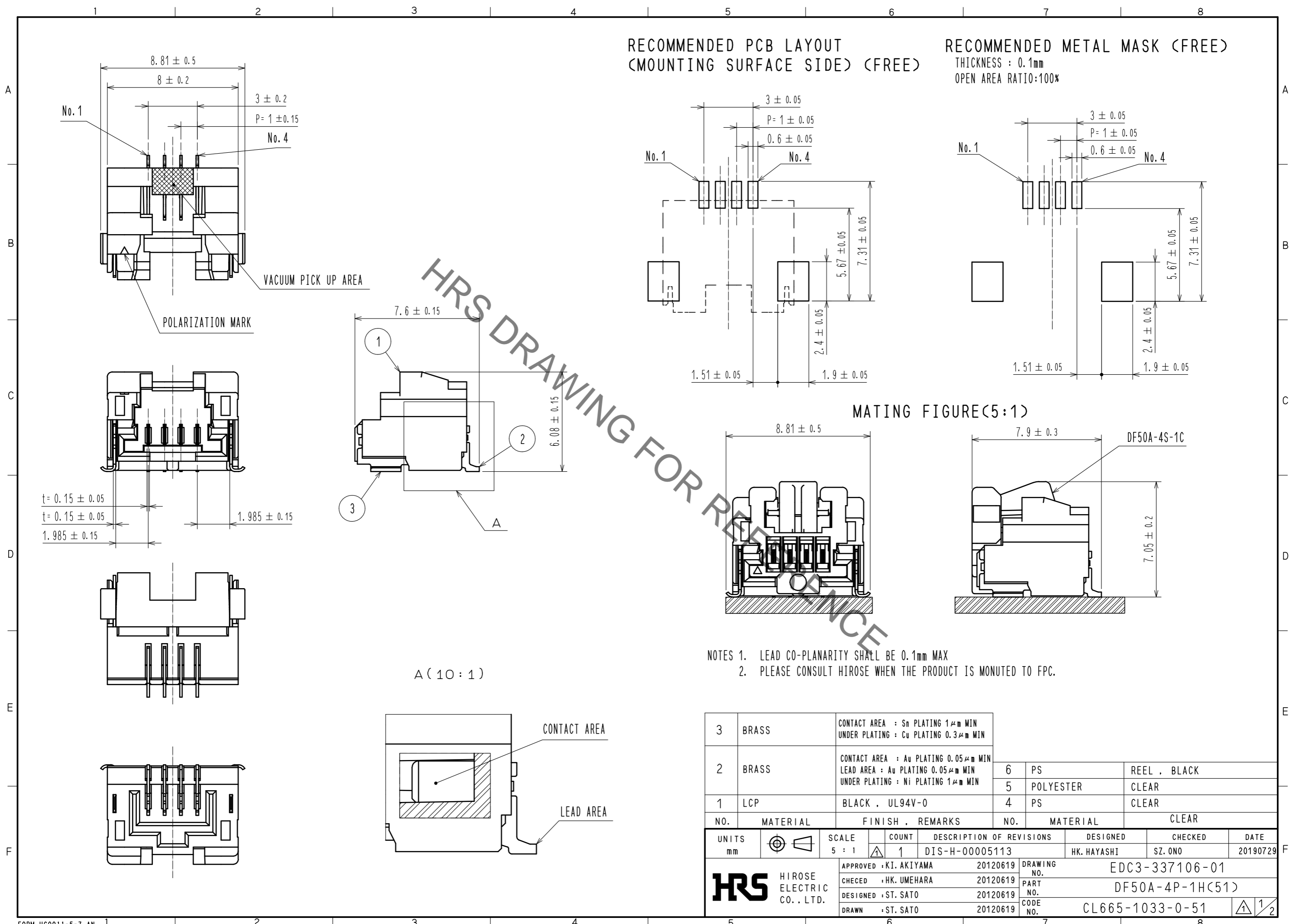
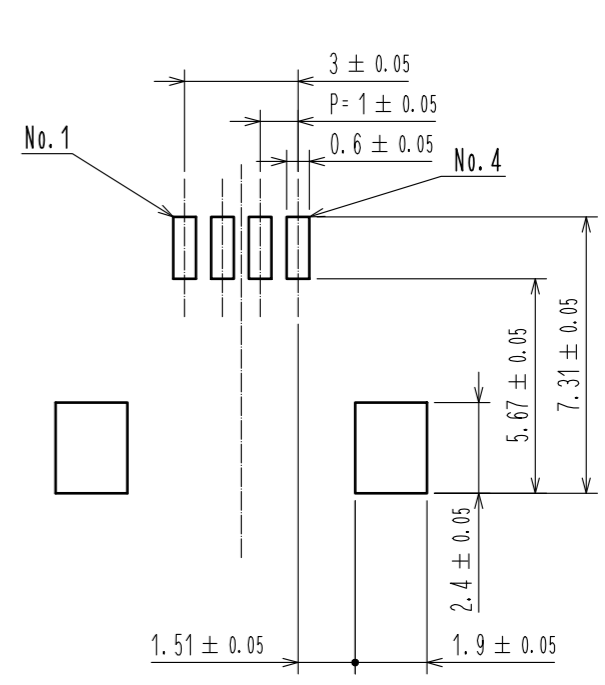
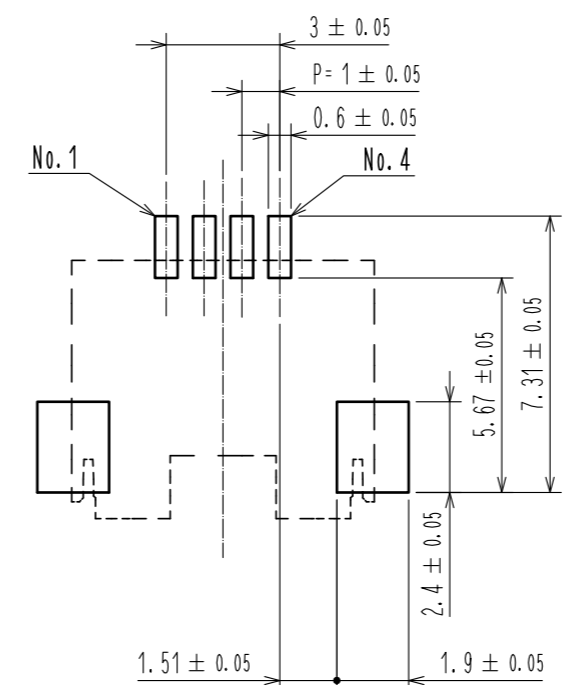


Jun.1.2020 Copyright 2020 HIROSE ELECTRIC CO., LTD. All Rights Reserved.  
In case of consideration for using Automotive equipment / device which demand high reliability, kindly contact our sales window correspondents.

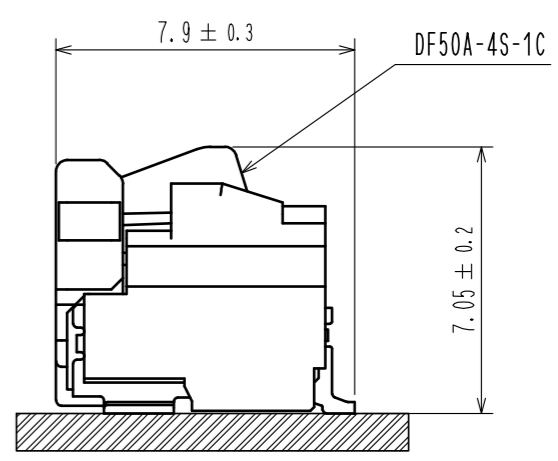
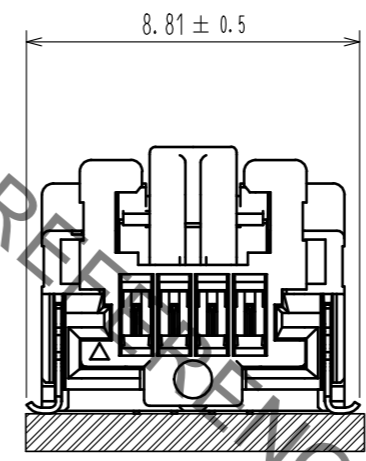


RECOMMENDED PCB LAYOUT  
(MOUNTING SURFACE SIDE) (FREE)

RECOMMENDED METAL MASK (FREE)  
THICKNESS : 0.1mm  
OPEN AREA RATIO:100%



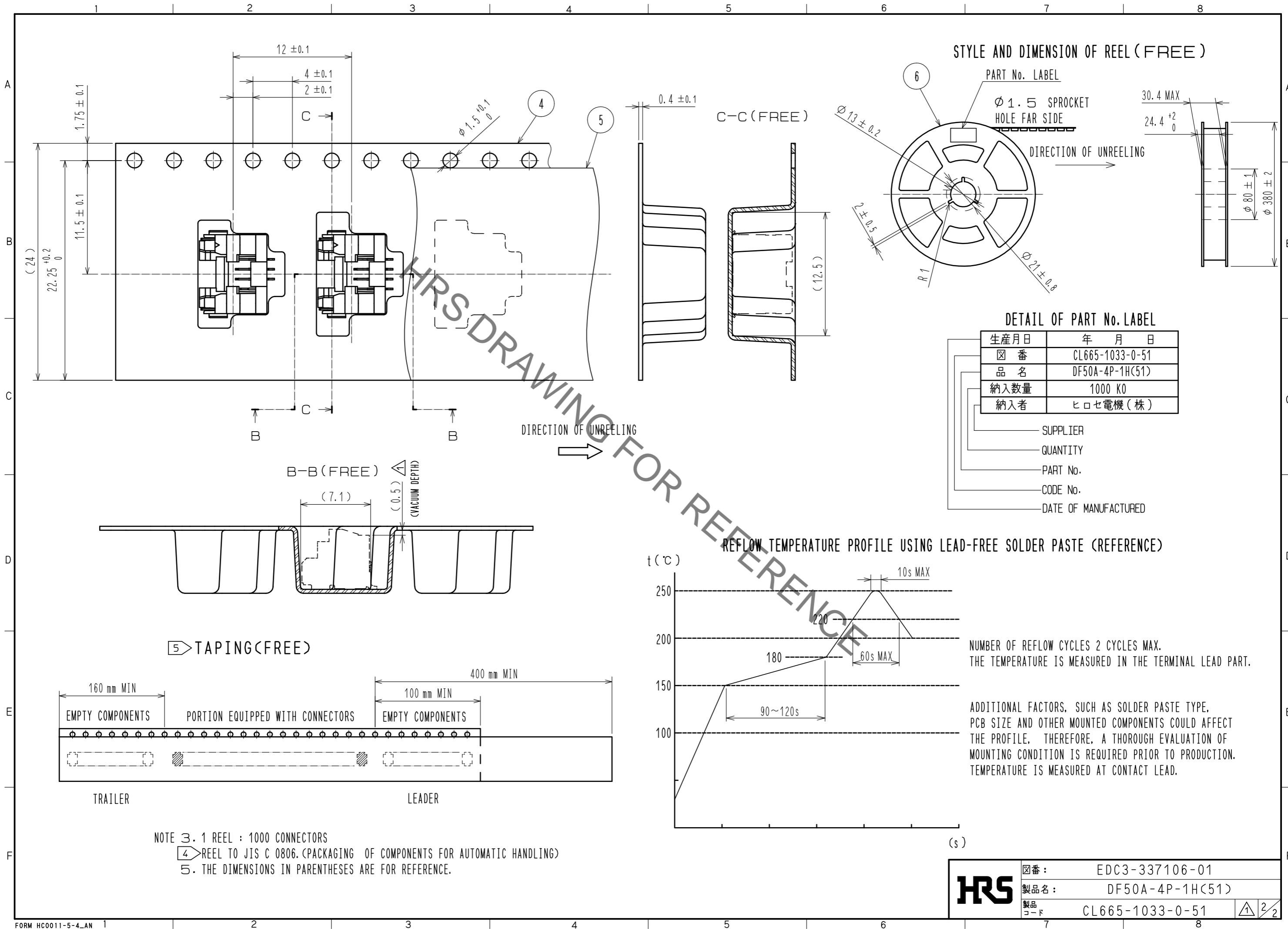
MATING FIGURE(5:1)



- NOTES 1. LEAD CO-PLANARITY SHALL BE 0.1mm MAX  
2. PLEASE CONSULT HIROSE WHEN THE PRODUCT IS MONUTED TO FPC.

3	BRASS	CONTACT AREA : Sn PLATING 1μm MIN UNDER PLATING : Cu PLATING 0.3μm MIN	6	PS	REEL , BLACK
2	BRASS	CONTACT AREA : Au PLATING 0.05μm MIN LEAD AREA : Au PLATING 0.05μm MIN UNDER PLATING : Ni PLATING 1μm MIN	5	POLYESTER	CLEAR
1	LCP	BLACK , UL94V-0	4	PS	CLEAR
NO.	MATERIAL	FINISH , REMARKS	NO.	MATERIAL	CLEAR
UNITS	mm	SCALE	5 : 1	COUNT	1
DESCRIPTION OF REVISIONS		DESIGNED	HK. HAYASHI	CHECKED	SZ. ONO
DATE		20190729		DRAWING NO. EDC3-337106-01	
APPROVED : KI. AKIYAMA		20120619		PART NO. DF50A-4P-1H(51)	
CHECED : HK. UMEHARA		20120619		CODE NO. CL665-1033-0-51	
DESIGNED : ST. SATO		20120619		1/2	
DRAWN : ST. SATO		20120619			

Jun.1.2020 Copyright 2020 HIROSE ELECTRIC CO., LTD. All Rights Reserved.  
In case of consideration for using Automotive equipment / device which demand high reliability, kindly contact our sales window correspondents.



図番:	EDC3-337106-01
製品名:	DF50A-4P-1H(51)
製品コード:	CL665-1033-0-51