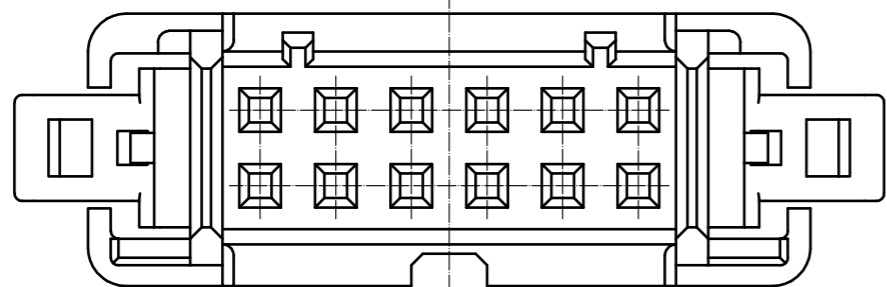
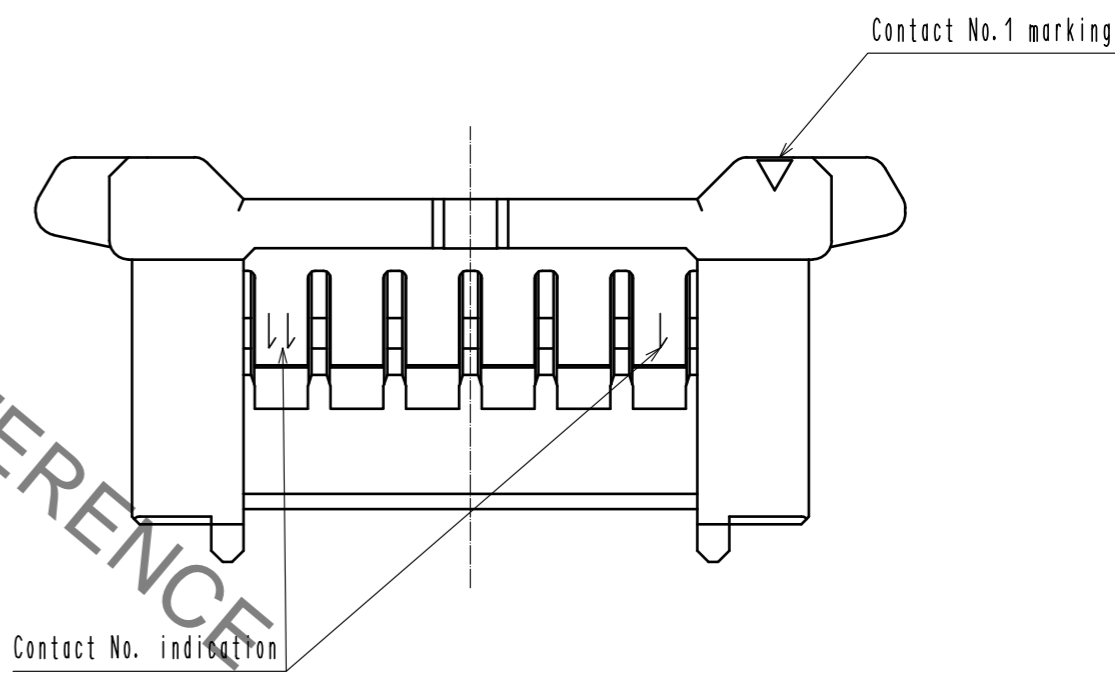
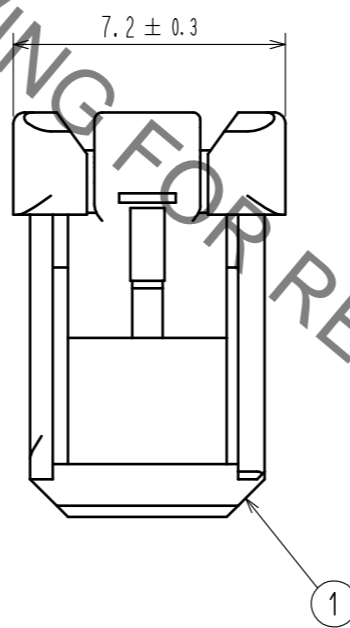
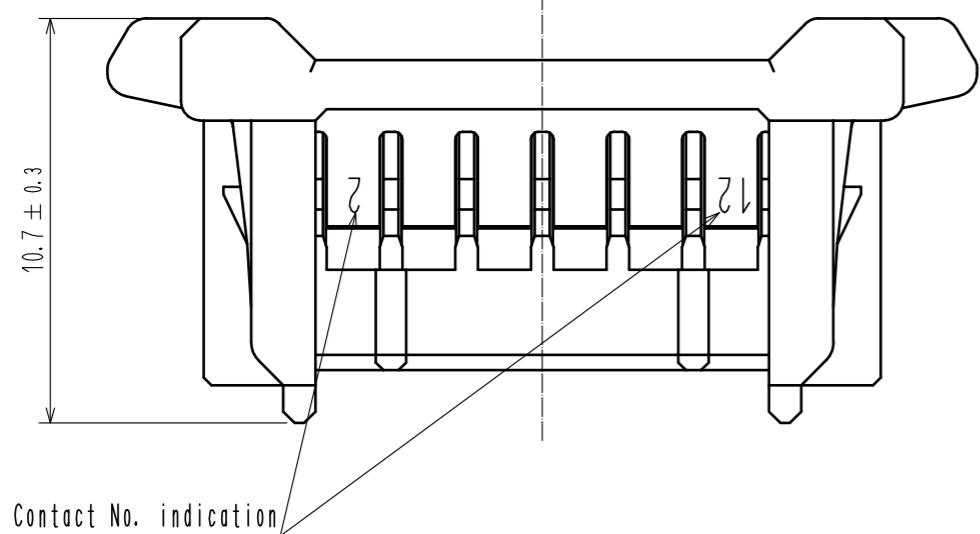
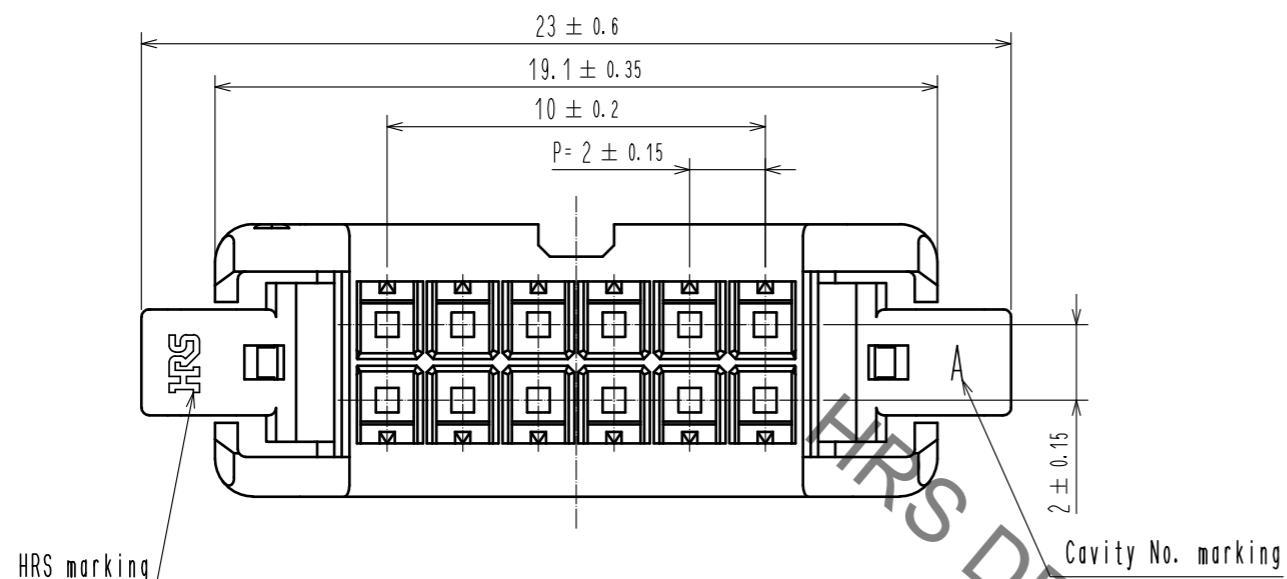


Jun.1.2020 Copyright 2020 HIROSE ELECTRIC CO., LTD. All Rights Reserved.
 In case of consideration for using Automotive equipment / device which demand high reliability, kindly contact our sales window correspondents.



Note 1. Per pack : 100 pieces.
 △ 2. UL(File No. E52653),
 C-UL(File No. E52653) authorization article.



NO.	MATERIAL	FINISH . REMARKS	NO.	MATERIAL	FINISH . REMARKS
			1	PBT	UL94V-0. BLACK
UNITS mm		SCALE 5 : 1	COUNT △ 1	DESCRIPTION OF REVISIONS DIS-H-00004451	DESIGNED TS. MIYAKI
APPROVED : HS. OKAWA 20160707			DESIGNED	CHECKED	
CHECKED : YN. TAKASHITA 20160707			NO.	DATE	
DESIGNED : TT. OHSAKO 20160707			20181126		
DRAWN : TT. OHSAKO 20160707			DRAWING NO. EDC-362058-00-00		
HRS HIROSE ELECTRIC CO., LTD.			PART NO. DF51-12DS-2C		
			CODE NO. CL543-5034-9-00		