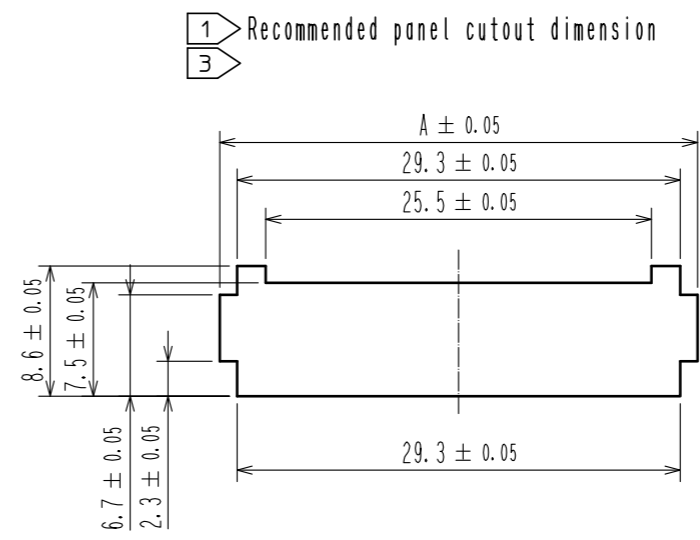
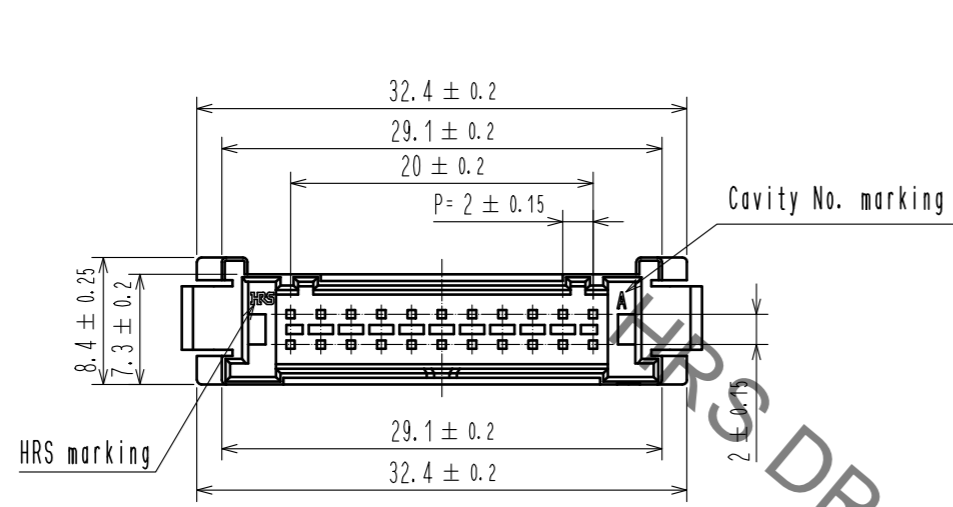
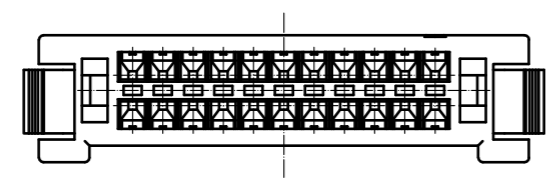
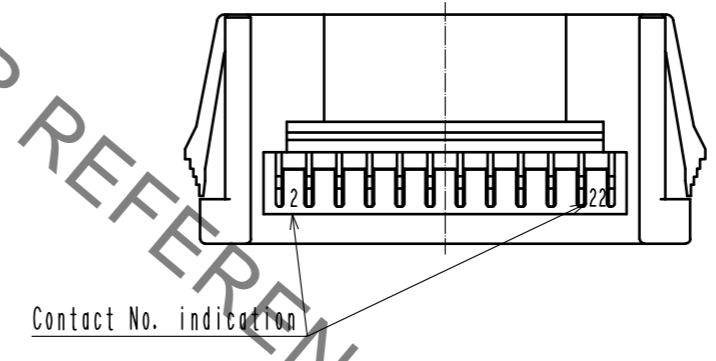
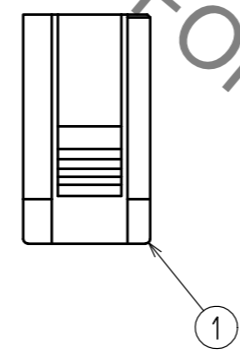
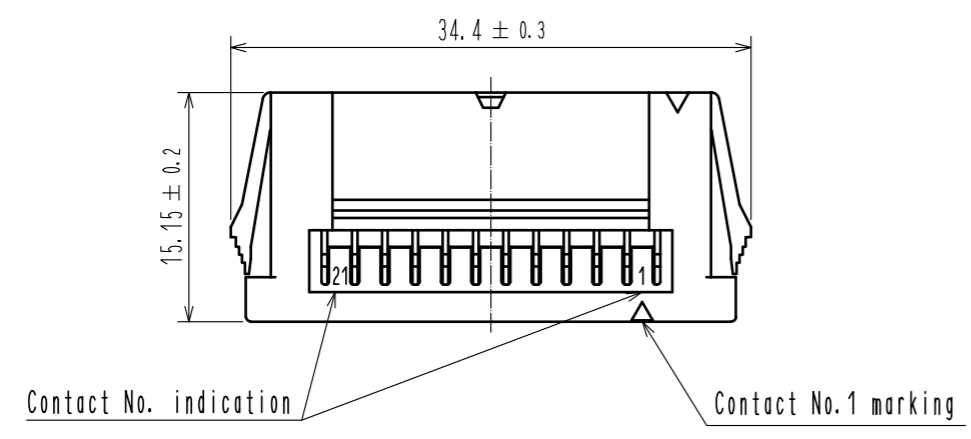


Jun.1.2020 Copyright 2020 HIROSE ELECTRIC CO., LTD. All Rights Reserved.
In case of consideration for using Automotive equipment / device which demand high reliability, kindly contact our sales window correspondents.



2

Panel thickness	A
0.5~0.8	31.6
0.9~1.3	32.1
1.4~1.8	32.5
1.9~2.3	32.9



- Note
- 1 Please use non-radius side for the panel hooking area.
 - 2 Applicable panel thicknessing is 2.3 to 0.5 mm.
 - 3 Consult hirose for the other panel cutout designs than recommended one.
 - 4. Per pack : 100 pieces.
 - △ 5. UL(File No. E52653).
C-UL(File No. E52653) authorization article



NO.		MATERIAL		FINISH . REMARKS		1	PBT	UL94V-0. BLACK		
UNITS mm		SCALE 2 : 1		COUNT 1		DESCRIPTION OF REVISIONS DIS-H-00004547		DESIGNED TS.MIYAKI	CHECKED SZ.ONO	DATE 20181225
HIROSE ELECTRIC CO., LTD.		APPROVED : HS. OKAWA		20160601		DRAWING NO. EDC-366291-00-00				
		CHECKED : YN. TAKASHITA		20160601		PART NO. DF51-22DEP-2C				
		DESIGNED : TT. OHSAKO		20160601		CODE NO. CL543-5080-0-00				
		DRAWN : TT. OHSAKO		20160601						1/1