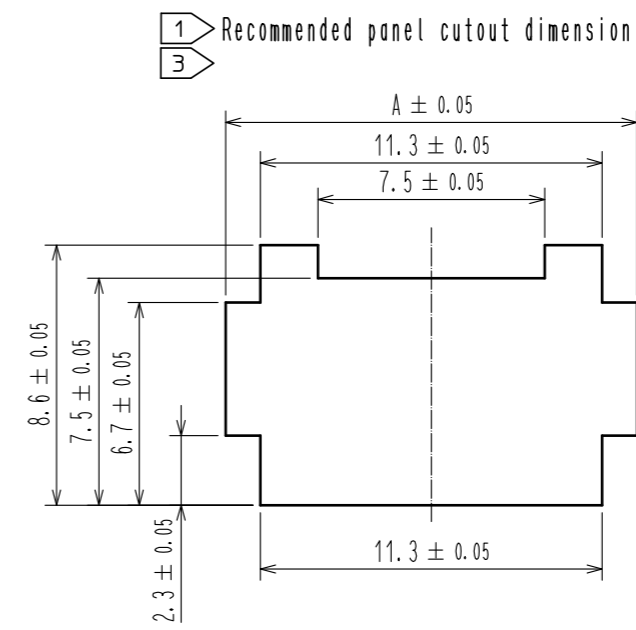
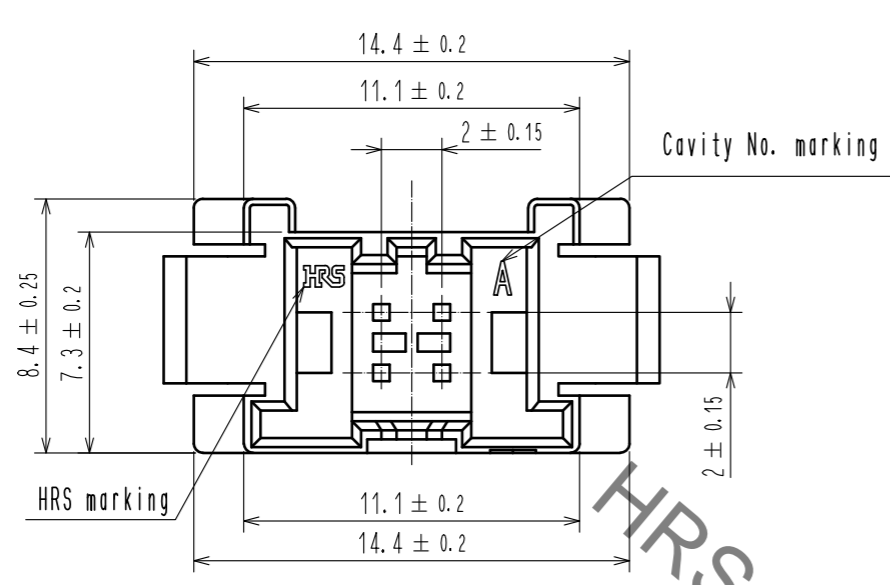
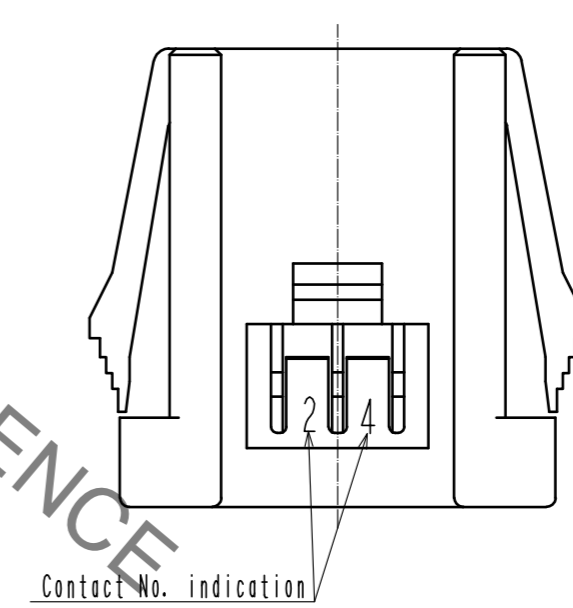
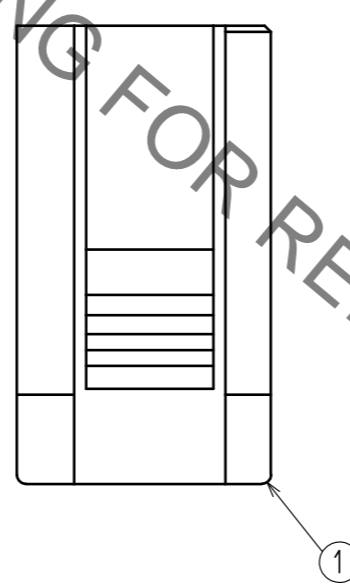
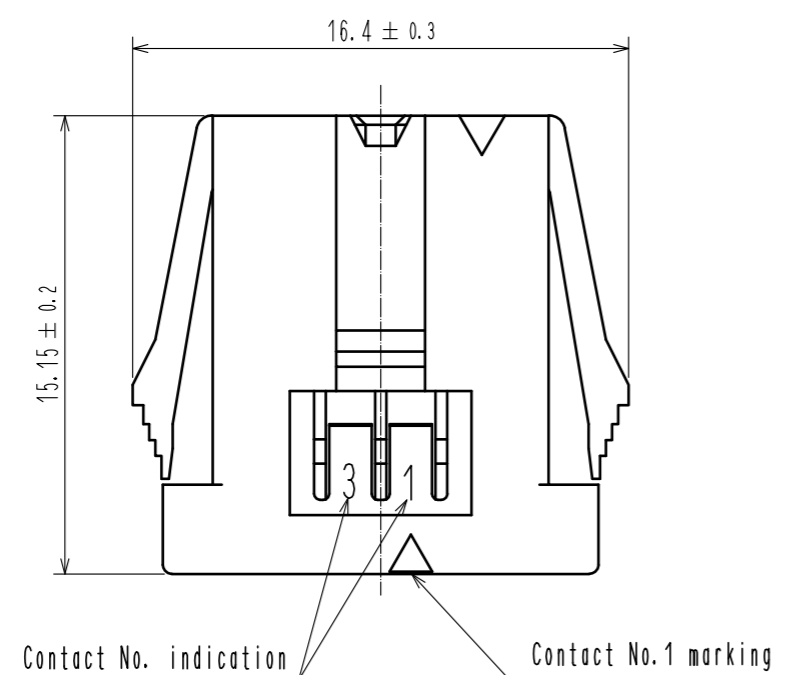


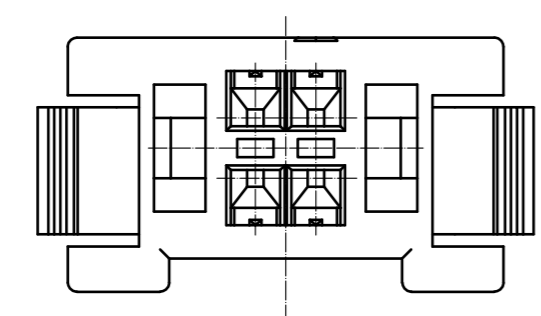
Jun.1.2020 Copyright 2020 HIROSE ELECTRIC CO., LTD. All Rights Reserved.
In case of consideration for using Automotive equipment / device which demand high reliability, kindly contact our sales window correspondents.



Panel thickness	A
0.5~0.8	13.6
0.9~1.3	14.1
1.4~1.8	14.5
1.9~2.3	14.9



- Note
- 1 Please use non-radius side for the panel hooking area.
 - 2 Applicable panel thicknessing is 2.3 to 0.5 mm.
 - 3 Consult hirose for the other panel cutout designs than recommended one.
 - 4. Per pack : 100 pieces.
 - 5. UL(File No. E52653),
C-UL(File No. E52653) authorization article.



NO.	MATERIAL	FINISH . REMARKS	NO.	MATERIAL	FINISH . REMARKS			
			1	PBT	UL94V-0. BLACK			
UNITS		SCALE	COUNT	DESCRIPTION OF REVISIONS		DESIGNED	CHECKED	DATE
mm		4 : 1	1	DIS-H-00004537		TS.MIYAKI	HS.OKAWA	20181221
HIROSE ELECTRIC CO., LTD.		APPROVED	20160601	DRAWING NO.		EDC-366282-00-00		
		CHECKED	20160601	PART NO.		DF51-4DEP-2C		
		DESIGNED	20160601	CODE NO.		CL543-5071-0-00		
		DRAWN	20160601					