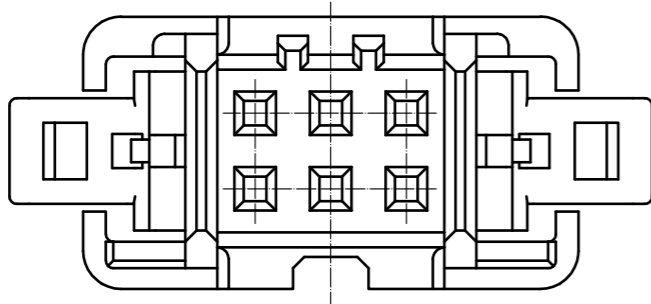
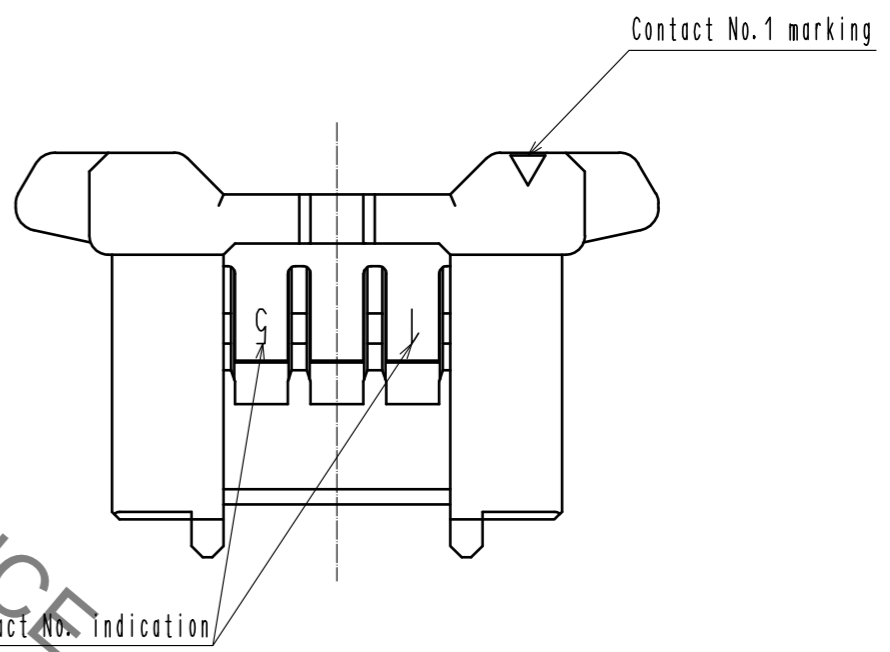
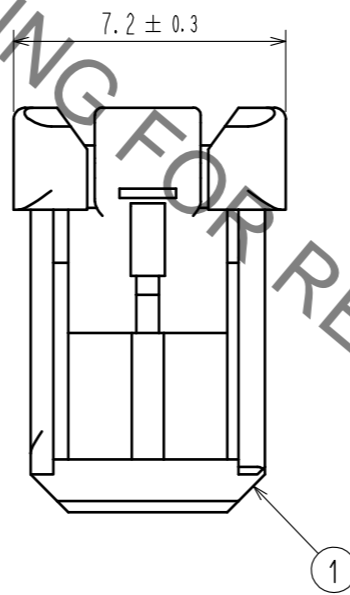
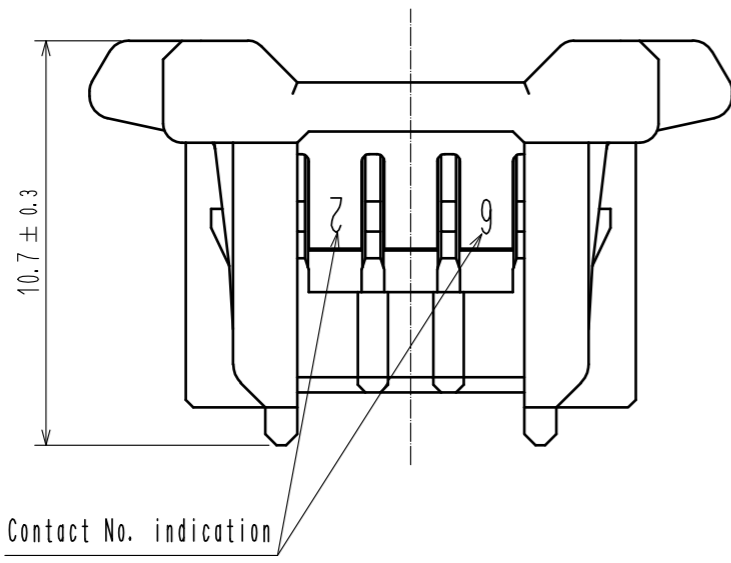
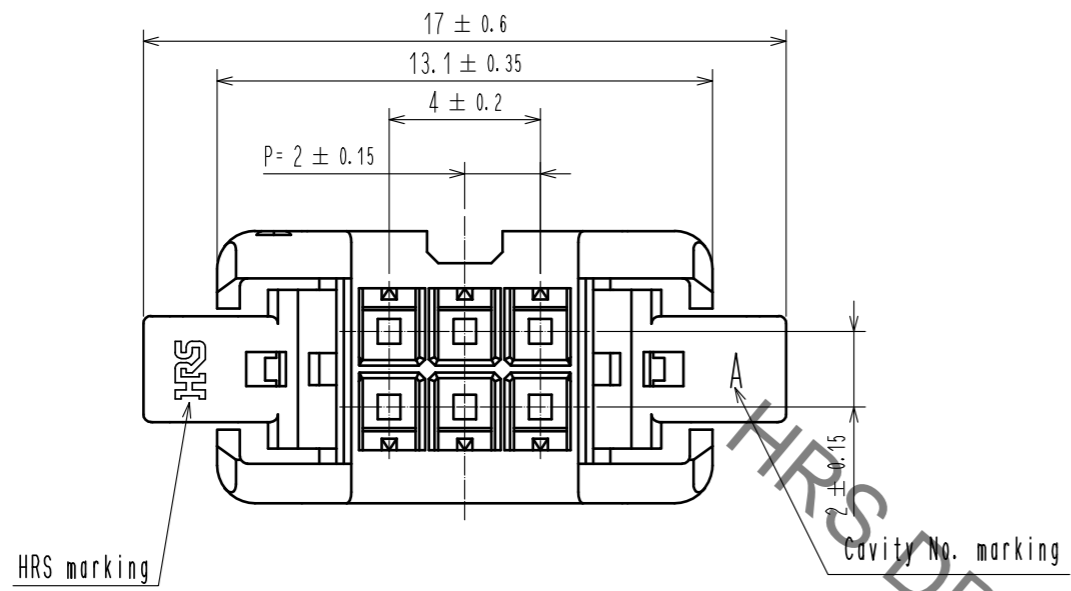


Jun.1.2020 Copyright 2020 HIROSE ELECTRIC CO., LTD. All Rights Reserved.
 In case of consideration for using Automotive equipment / device which demand high reliability, kindly contact our sales window correspondents.



Note 1. Per pack : 100 pieces.
 △2. UL(File No.E52653),
 C-UL(File No.E52653) authorization article.



NO.	MATERIAL	FINISH . REMARKS	NO.	MATERIAL	FINISH . REMARKS
			1	PBT	UL94V-0. BLACK
UNITS mm		SCALE 5 : 1	COUNT △ 1	DESCRIPTION OF REVISIONS DIS-H-00004451	DESIGNED TS.MIYAKI
APPROVED : HS. OKAWA 20160707			DRAWING NO. EDC-362055-00-00		
CHECKED : YN. TAKASHITA 20160707			PART NO. DF51-6DS-2C		
DESIGNED : TT. OHSAKO 20160707			CODE NO. CL543-5031-0-00		
DRAWN : TT. OHSAKO 20160707			△ 1/1		