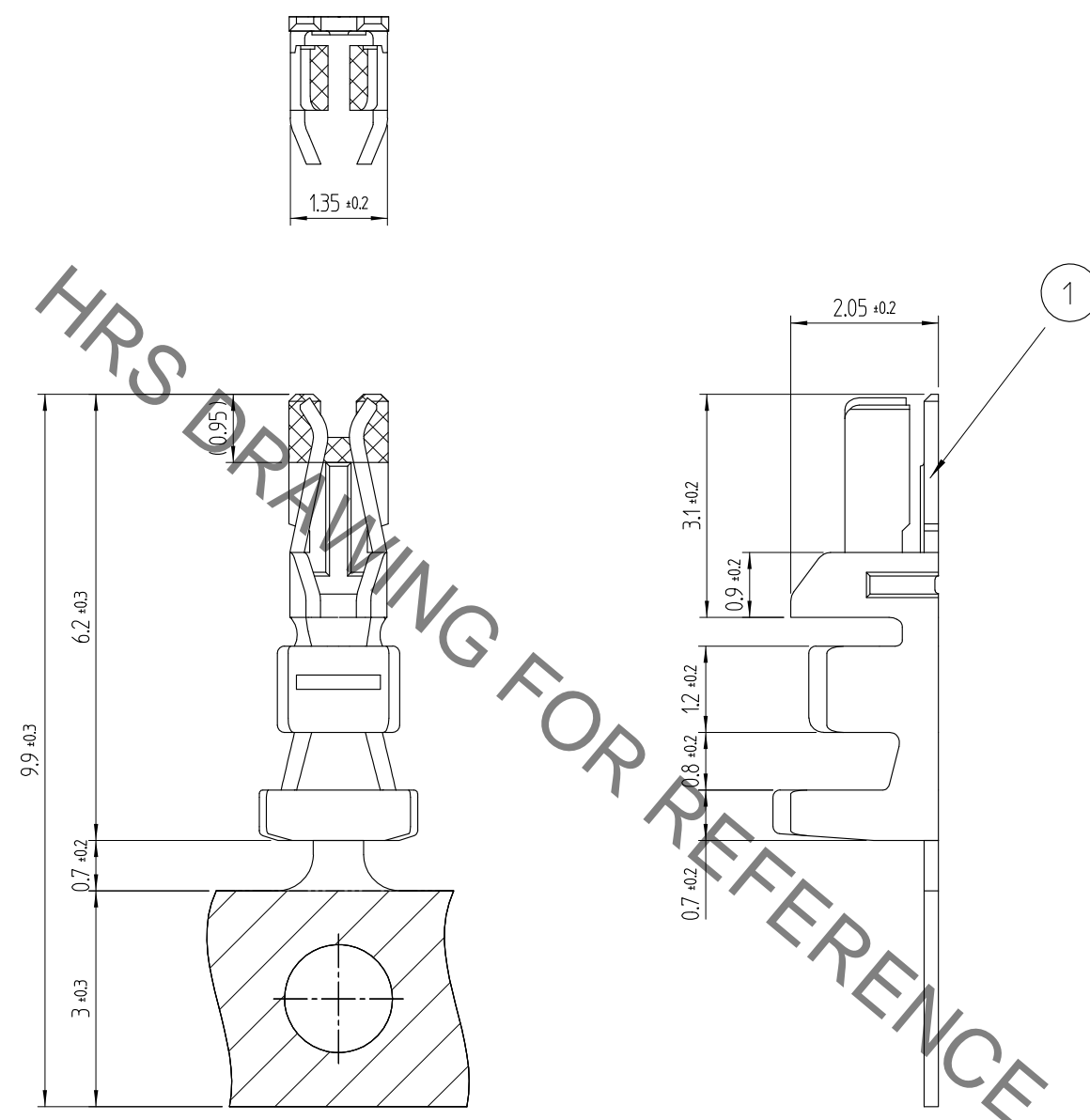


Jun.1.2020 Copyright 2020 HIROSE ELECTRIC CO., LTD. All Rights Reserved.
 In case of consideration for using Automotive equipment / device which demand high reliability, kindly contact our sales window correspondents.

1					2					3					4				
△數 COUNT	訂正事項 DESCRIPTION OF REVISIONS				擔當 B Y	檢圖 CHKD	年月日 DATE			△數 COUNT	訂正事項 DESCRIPTION OF REVISIONS				擔當 B Y	檢圖 CHKD	年月日 DATE		
△										△									
△										△									
△										△									



HRS DRAWING FOR REFERENCE

NOTE1. ONE REEL HAS 10,000 PIECES OF CONTACTS.

1	PHOSPHOR BRONZE	CONTACT : GOLD PLATING 0.2μm MIN CARRIER : TIN PLATING 1μm MIN OVER NICKEL 0.5μm MIN
---	-----------------	--

NO.	MATERIAL	FINISH. REMARKS	NO.	MATERIAL	FINISH. REMARKS		
CODE NO. (OLD)			DRAWN	DESIGNED	CHECKED	APPROVED	RELEASED
			CHOI 17.12.22 J.S	CHOI 17.12.22 J.S	LIM 17.12.22 S.M	KANG 17.12.22 T.S	ENG 20.02.20 DEPT
DRAWING NO. EDC4-611496			PART NO. DF51K-22SCFA (800)				
SCALE 10:1			CODE NO 6652-0043-1-800				
UNITS mm			HRS HIROSE KOREA CO.,LTD.				