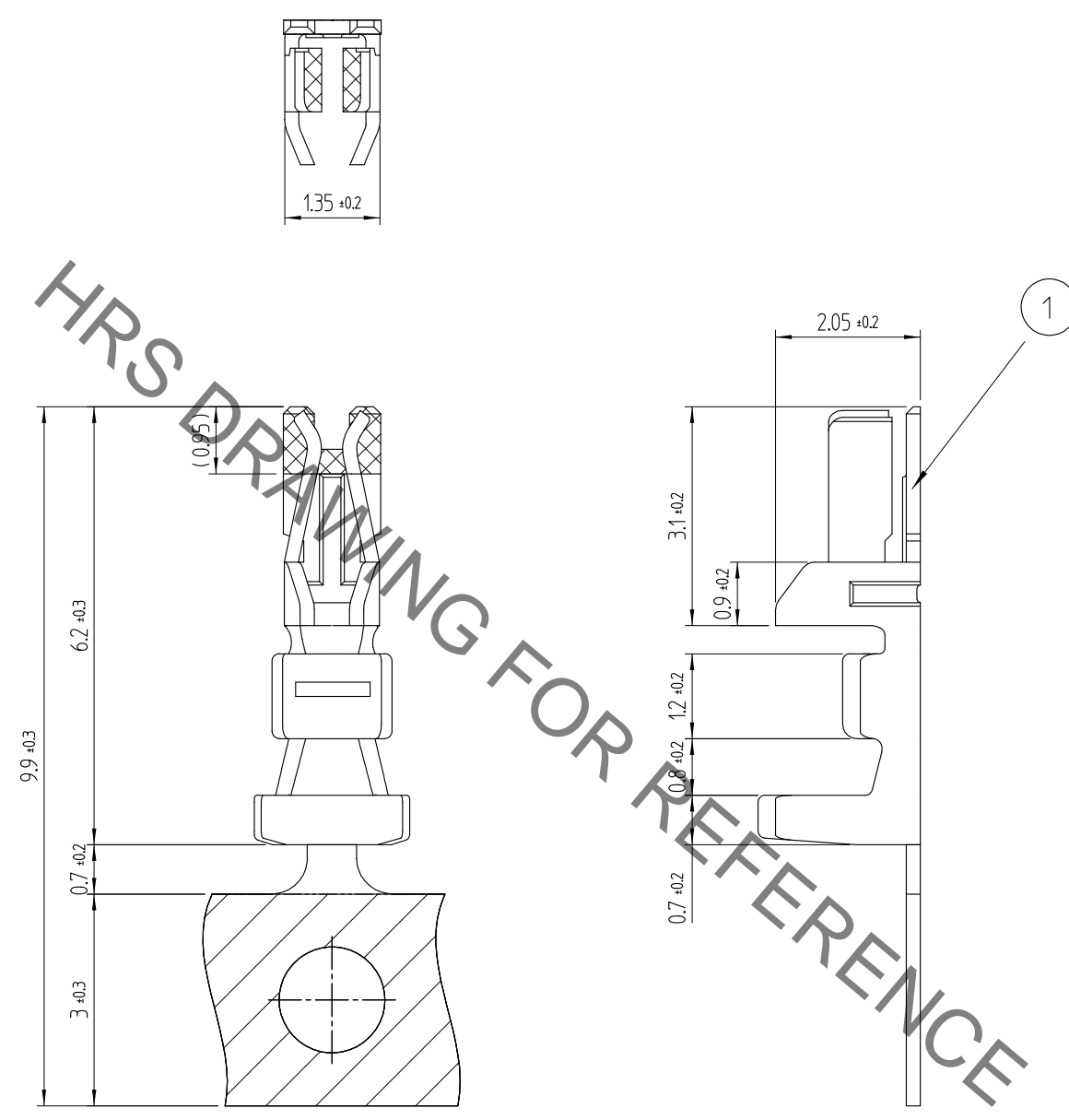


Jun.1.2020 Copyright 2020 HIROSE ELECTRIC CO., LTD. All Rights Reserved.
In case of consideration for using Automotive equipment / device which demand high reliability, kindly contact our sales window correspondents.

1	2				3				4				
△數 COUNT	訂正事項 DESCRIPTION OF REVISIONS			擔當 B Y	檢圖 CHKD	年月日 DATE	△數 COUNT	訂正事項 DESCRIPTION OF REVISIONS			擔當 B Y	檢圖 CHKD	年月日 DATE
△							△						
△							△						
△							△						



NOTE1. ONE REEL HAS 10,000 PIECES OF CONTACTS.

1	PHOSPHOR BRONZE	CONTACT : GOLD PLATING 0.2µm MIN CARRIER : TIN PLATING 1µm MIN OVER NICKEL 0.5µm MIN
---	-----------------	--

NO.	MATERIAL	FINISH. REMARKS	NO.	MATERIAL	FINISH. REMARKS
CODE NO. (OLD)			DRAWN	DESIGNED	CHECKED
			CHOI 17.12.22 J.S	CHOI 17.12.22 J.S	LIM 17.12.22 S.M
					APPROVED
					KANG 17.12.22 T.S
					RELEASED
					ENG 20.02.20 DEPT

 SCALE 10:1 UNITS mm	DRAWING NO.	EDC4-611497	PART NO.	DF51K-30SCFA (800)
	HIROSE KOREA CO.,LTD.		CODE NO.	6652-0044-4-800
				1/1