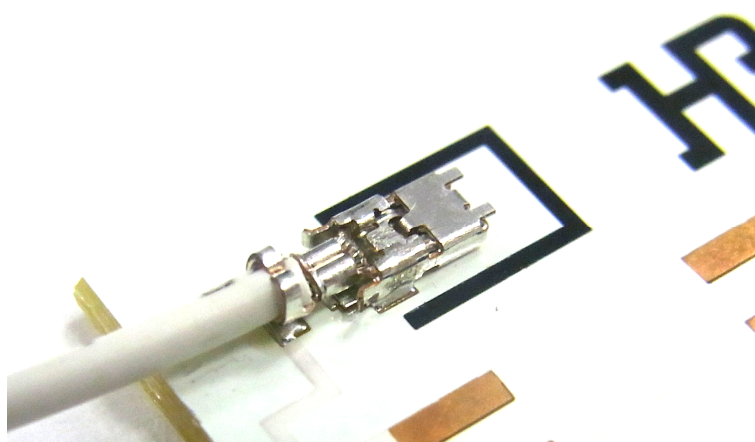


**HRS**

# DF59M Series

## Horizontal Mate, Mono-pole Wire to Board Connector



**World's Smallest\***  
as housing-less WtoB

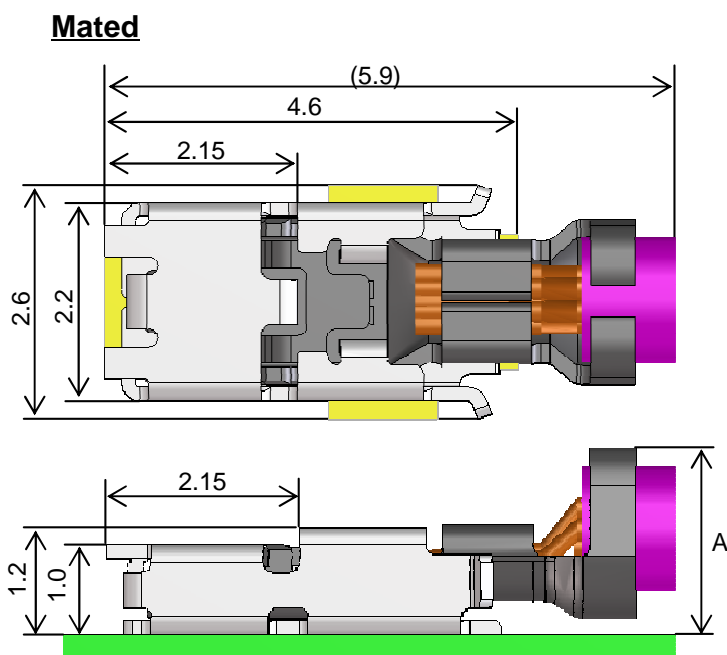
\*as of July 2014

### ◆ Features

1. Housing-less small and low profile mono-pole connector
2. Clear tactile click and high mating force with positive lock
3. High current capability rated up to 6 Amps using AWG#22 cable
4. AWG#28 to 22 with jacket outer dia.  $\phi$  0.9 to 1.6 mm
5. Will be UL certified
6. RoHS compliant, Halogen-free\* product

\*This product satisfies halogen free requirements defined as 900 ppm maximum chlorine, 900 maximum bromine, and 1500 ppm maximum total of chlorine and bromine.

### ◆ Suitable for High Density Mounting LED Modules



Height at crimped portion is different depending on the cable type.

Ex.) UL10368 AWG22: A=1.8 mm  
UL10368 AWG28: A=1.7 mm

### ◆ Specifications

#### •Material & Finish

Item	Material	Finish
Plug	Copper Alloy	Tin-plating (Copper underplating)
Receptacle	Copper Alloy	Tin-plating (Copper underplating)

#### •Performance Characteristics

Rated Current	AWG#22: 6 Amps, AWG#24: 5 Amps AWG#26: 4 Amps, AWG#28: 3 Amps
Rated Voltage	AC/DC 300V (Parallel layout, 1.6 mm spacing between pads)*
Operating Temperature Range	-40 °C to + 105 °C
Applicable Cable	AWG22 to 28, Jacket Outer Dia. $\phi$ 0.9 to 1.6 mm (Crimp terminal 2224, 2628)
Contact Resistance	45m $\Omega$ Max. (6V, 100 mA)
Durability	20 times

\*1.6 mm or more creepage distance is required for the 300 V rating under IEC60664 and JIS C 60664 standards (Printed Wiring Material, Pollution Level 2)

Specifications herein are subject to change without notice. Contact Hirose for latest specifications, drawings or availabilities.