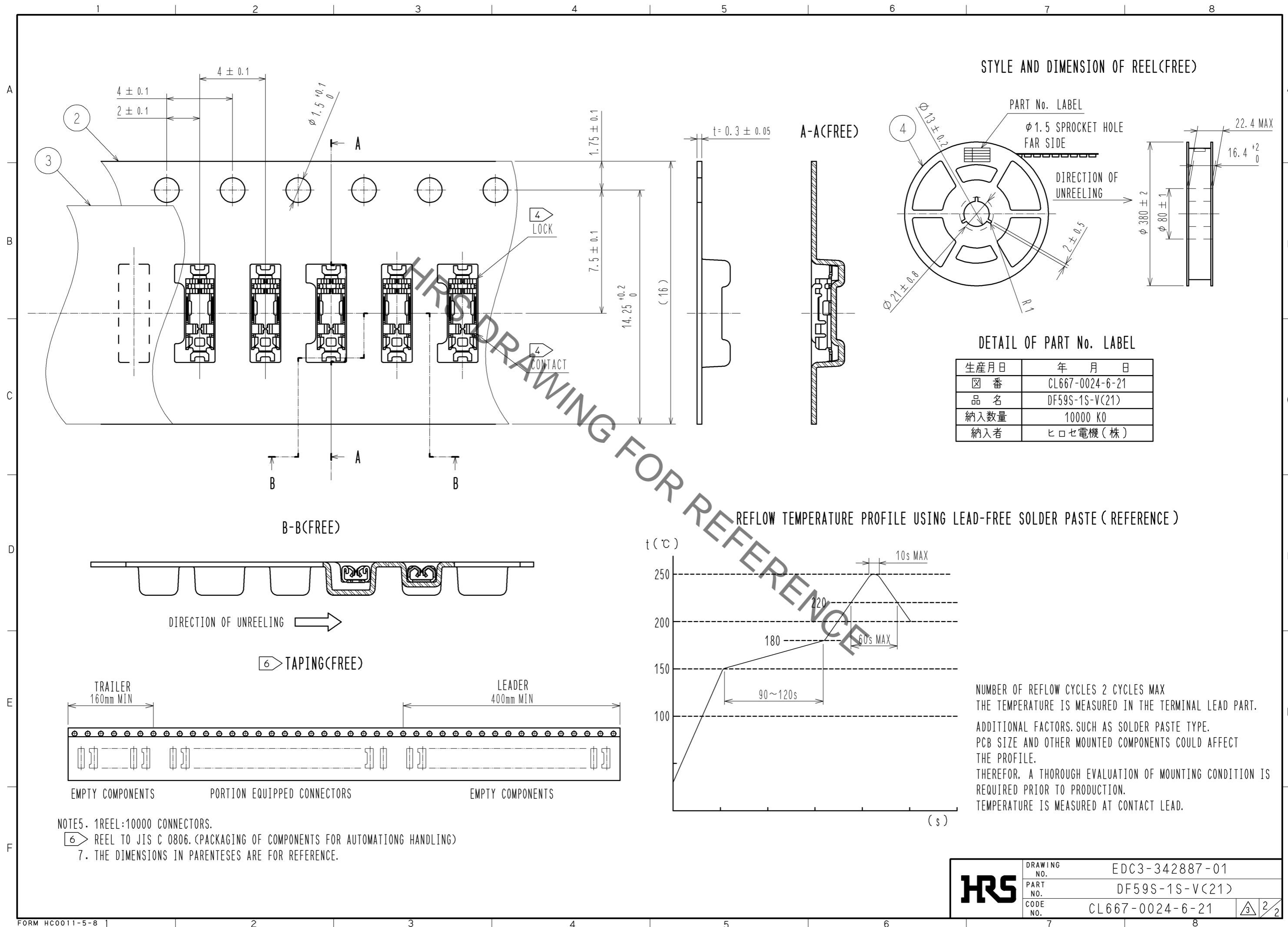




Jun.1.2020 Copyright 2020 HIROSE ELECTRIC CO., LTD. All Rights Reserved.  
 In case of consideration for using Automotive equipment / device which demand high reliability, kindly contact our sales window correspondents.



|            |             |                 |
|------------|-------------|-----------------|
| <b>HRS</b> | DRAWING NO. | EDC3-342887-01  |
|            | PART NO.    | DF59S-1S-V(21)  |
|            | CODE NO.    | CL667-0024-6-21 |
|            |             | 3/2             |