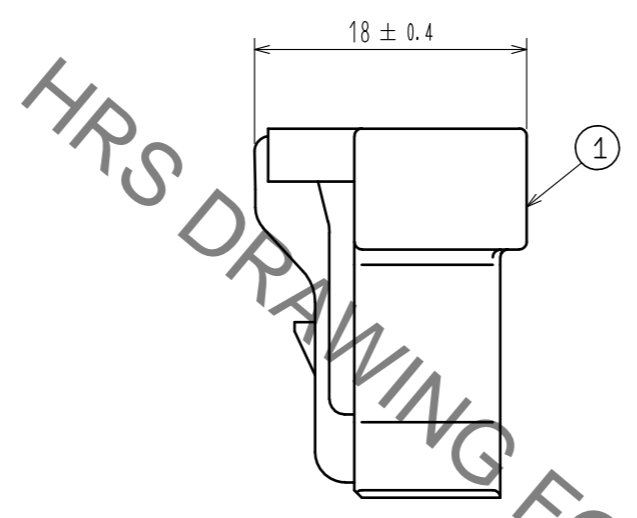
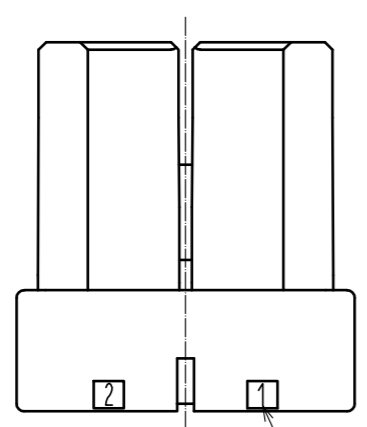
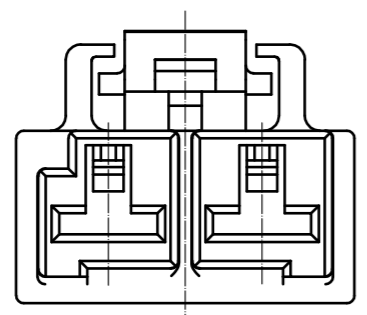
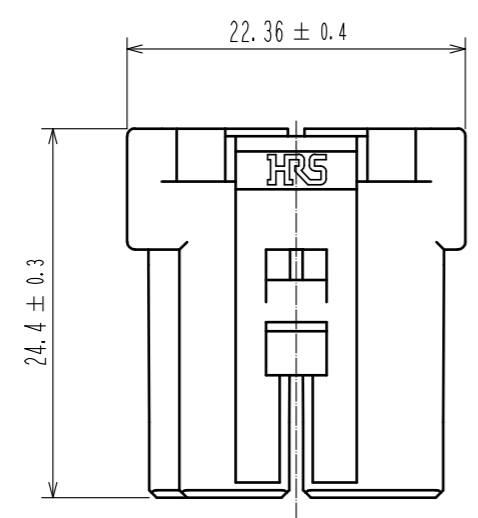
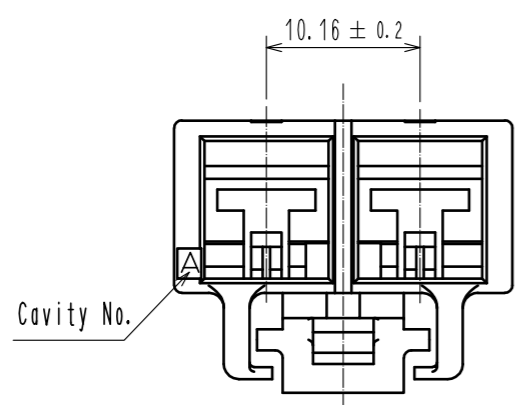


Jun.1.2020 Copyright 2020 HIROSE ELECTRIC CO., LTD. All Rights Reserved.
 In case of consideration for using Automotive equipment / device which demand high reliability, kindly contact our sales window correspondents.



HRS DRAWING FOR REFERENCE

Notes 1. Per Pack : 100 Pieces
 2. ULCFile No. E52653)
 C-ULCFile No. E52653)
 TUV (Certificate No. R50244085) authorization article.



NO.	MATERIAL	FINISH . REMARKS	NO.	MATERIAL	FINISH . REMARKS		
			1	PBT	Black, UL94V-0		
UNITS	SYMBOL	SCALE	COUNT	DESCRIPTION OF REVISIONS	DESIGNED	CHECKED	DATE
mm		2 : 1					
HRS	HIROSE ELECTRIC CO., LTD.	APPROVED : HS. OKAWA	17.03.29	DRAWING NO. EDC-374735-00-00			
		CHECKED : TS. FUKUSHIMA	17.03.29	PART NO. DF60A-2S-10.16C			
		DESIGNED : TS. KUMAZAWA	17.03.29	CODE NO. CL680-3059-0-00			
		DRAWN : TS. KUMAZAWA	17.03.29				