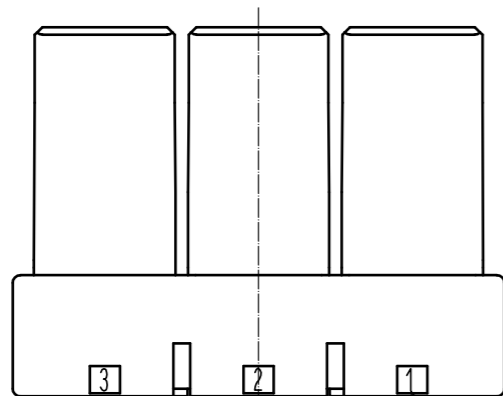
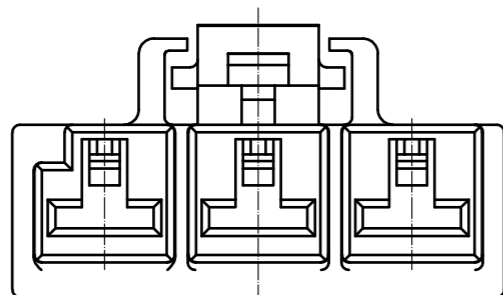
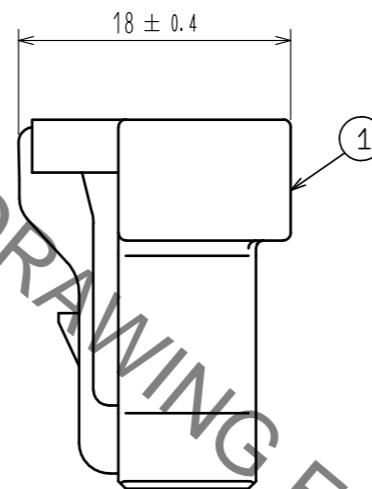
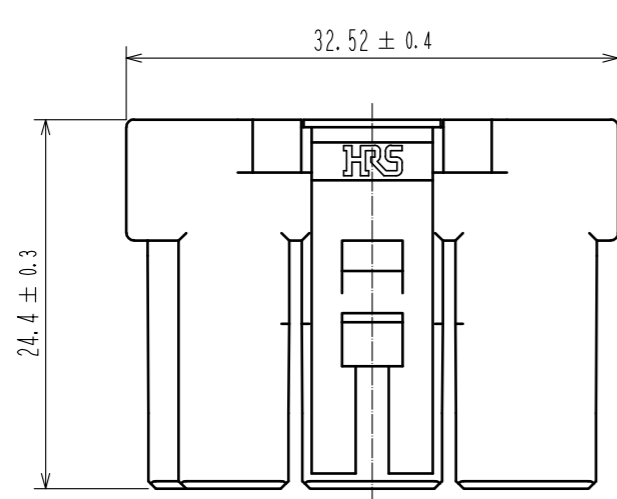
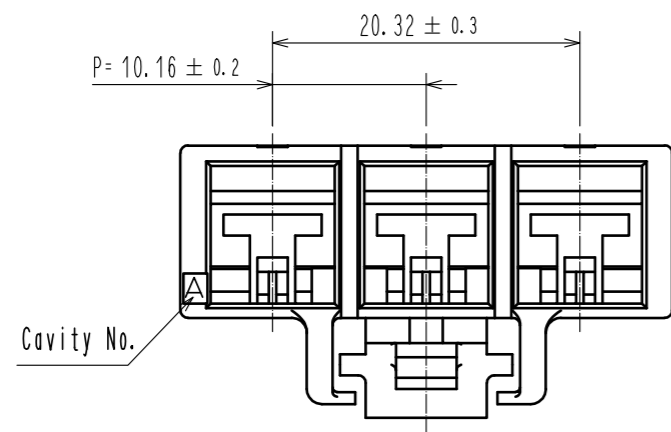


Jun.1.2020 Copyright 2020 HIROSE ELECTRIC CO., LTD. All Rights Reserved.  
 In case of consideration for using Automotive equipment / device which demand high reliability, kindly contact our sales window correspondents.



Number of Contact

HRS DRAWING FOR REFERENCE

Notes 1. Per Pack : 100 Pieces  
 2. ULCFile No. E52653)  
 C-ULCFile No. E52653)  
 TUV (Certificate No. R50244085) authorization article.



NO.	MATERIAL	FINISH . REMARKS	NO.	MATERIAL	FINISH . REMARKS			
			1	PBT	Black, UL94V-0			
UNITS	SCALE	COUNT	DESCRIPTION OF REVISIONS			DESIGNED	CHECKED	DATE
mm	2 : 1	△						
HIROSE ELECTRIC CO., LTD.			APPROVED : HS. OKAWA	17.03.29	DRAWING NO. EDC-374736-00-00			
			CHECKED : TS. FUKUSHIMA	17.03.29	PART NO. DF60A-3S-10.16C			
			DESIGNED : TS. KUMAZAWA	17.03.29	CODE NO. CL680-3060-0-00			
			DRAWN : TS. KUMAZAWA	17.03.29	1/1			