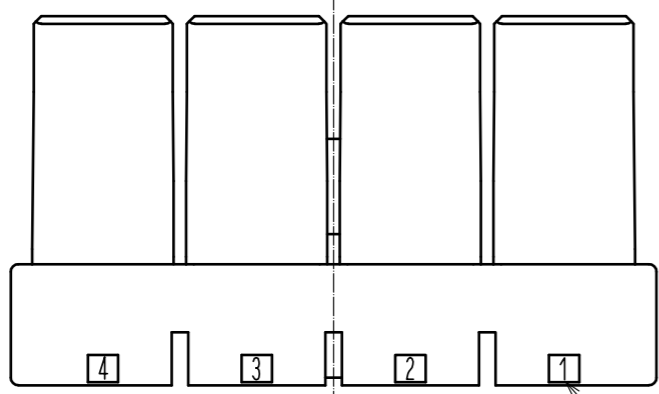
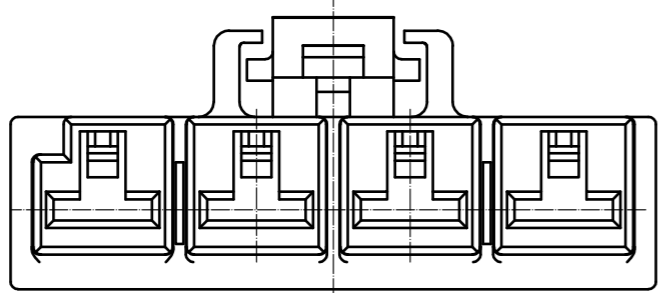
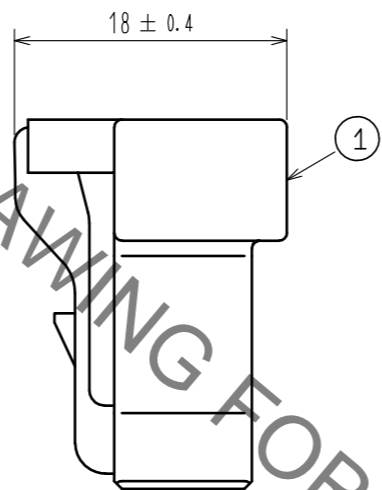
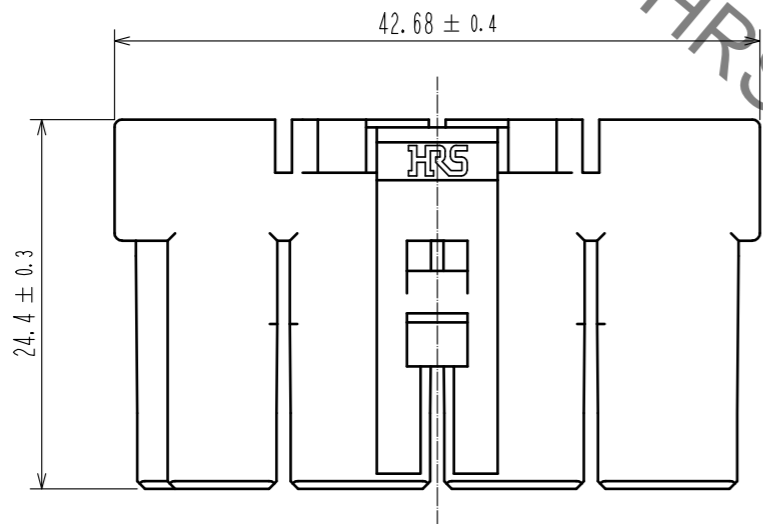
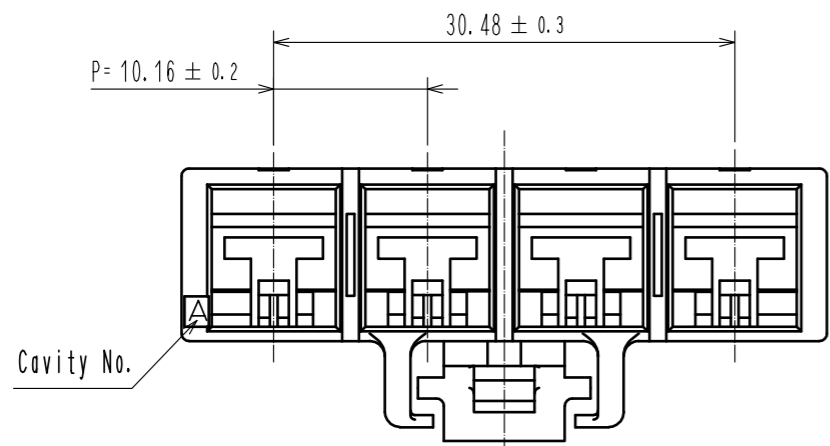


Jun.1.2020 Copyright 2020 HIROSE ELECTRIC CO., LTD. All Rights Reserved.
 In case of consideration for using Automotive equipment / device which demand high reliability, kindly contact our sales window correspondents.



Number of Contact

HRS DRAWING FOR REFERENCE

- Notes 1. Per Pack : 100 Pieces
 2. UL(File No. E52653)
 C-UL(File No. E52653)
 TUV (Certificate No. R50244085) authorization article.



NO.		MATERIAL		FINISH . REMARKS		1	PBT	Black, UL94V-0
UNITS mm		SCALE 2 : 1		COUNT	DESCRIPTION OF REVISIONS	DESIGNED	CHECKED	DATE
HRS HIROSE ELECTRIC CO., LTD.		APPROVED : HS. OKAWA	17.03.29	DRAWING NO. EDC-374737-00-00				
		CHECKED : TS. FUKUSHIMA	17.03.29	PART NO. DF60A-4S-10.16C				
		DESIGNED : TS. KUMAZAWA	17.03.29	CODE NO. CL680-3061-0-00				
		DRAWN : TS. KUMAZAWA	17.03.29			1/1		