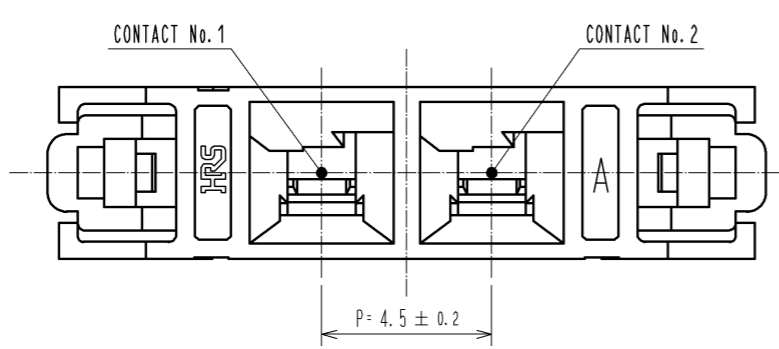
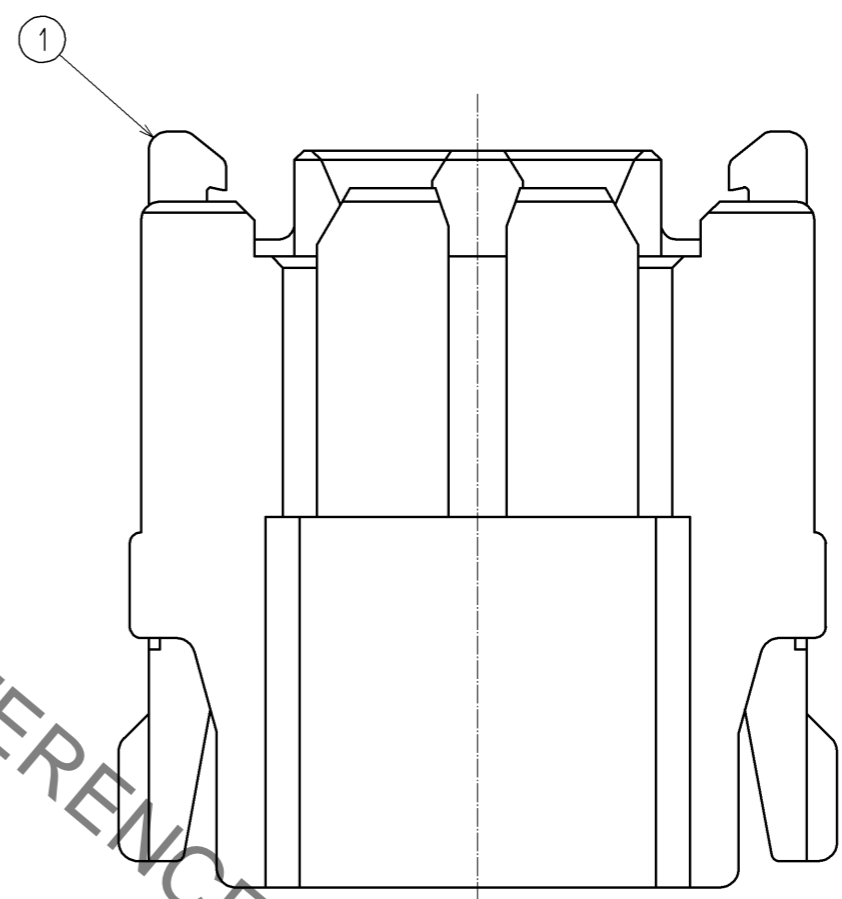
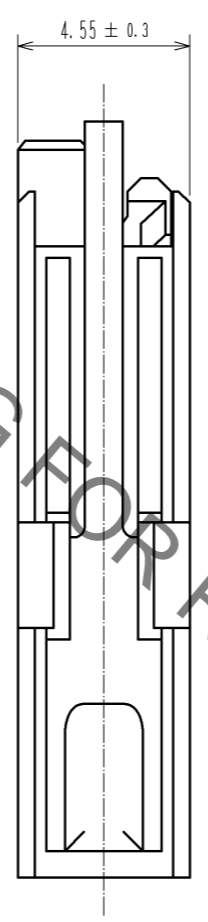
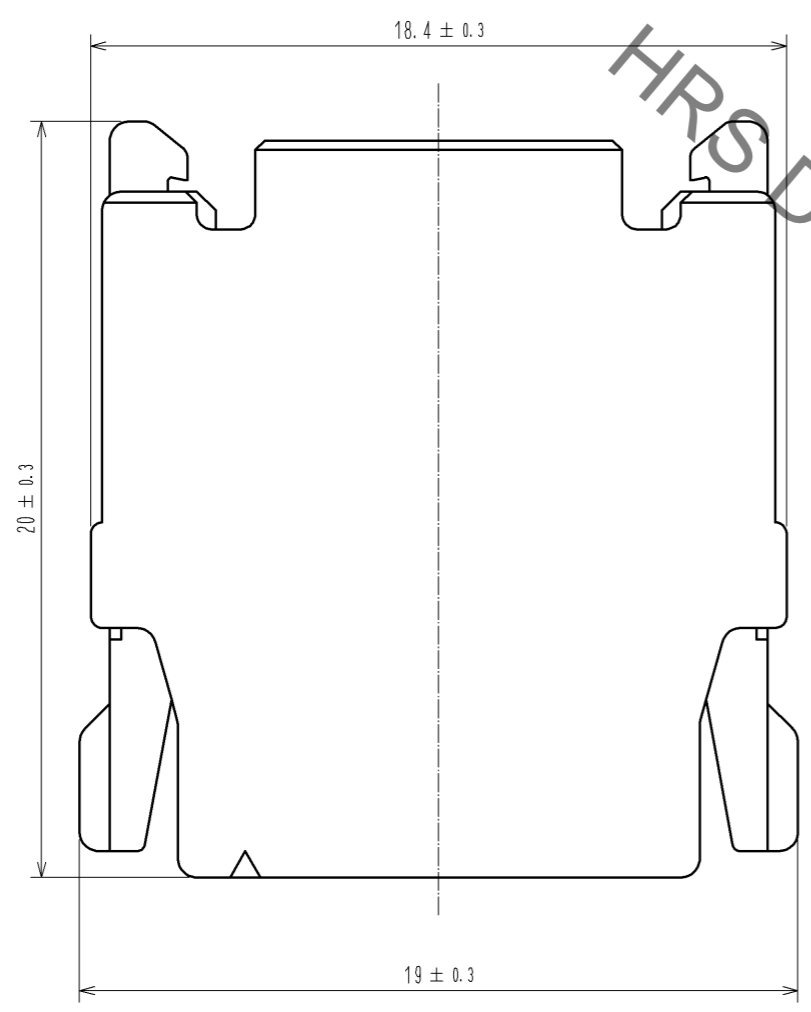
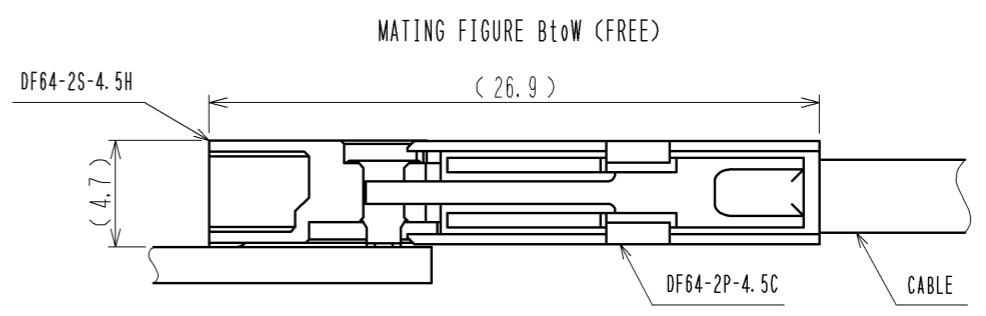
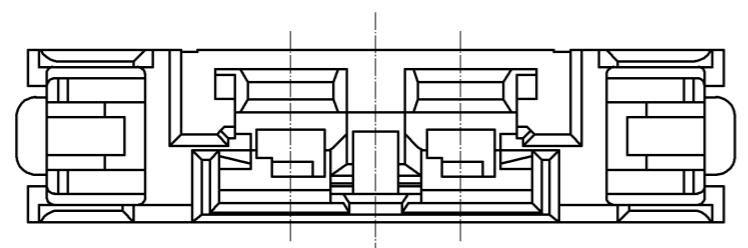


Jun.1.2020 Copyright 2020 HIROSE ELECTRIC CO., LTD. All Rights Reserved.
 In case of consideration for using Automotive equipment / device which demand high reliability, kindly contact our sales window correspondents.



- NOTE 1. () IS REFERENCE DIMENSION.
 2. REFER TO THE DF64 SERIES MATING/UNMATING OPERATION INSTRUCTION MANUAL (ETAD-H0748) FOR THE OPERATING OF THE PRODUCT.
 3. UL/c-UL (FILE NO. E52653) APPROVED PRODUCT.



NO.	MATERIAL	FINISH	REMARKS
1	LCP	NATURAL	UL94V-0

UNITS	SCALE	COUNT	DESCRIPTION OF REVISIONS	DESIGNED	CHECKED	DATE
mm	5 : 1	1	DIS-H-008279	TS.MIYAKI	OM.MIYAMOTO	13.11.06

APPROVED	: KI. AKIYAMA	13.08.07	DRAWING NO.	EDC3-347651-00
CHECKED	: OM. MIYAMOTO	13.08.07	PART NO.	DF64-2P-4.5C
DESIGNED	: TS. MIYAKI	13.08.07	CODE NO.	CL667-1003-1-00
DRAWN	: TS. MIYAKI	13.08.07		