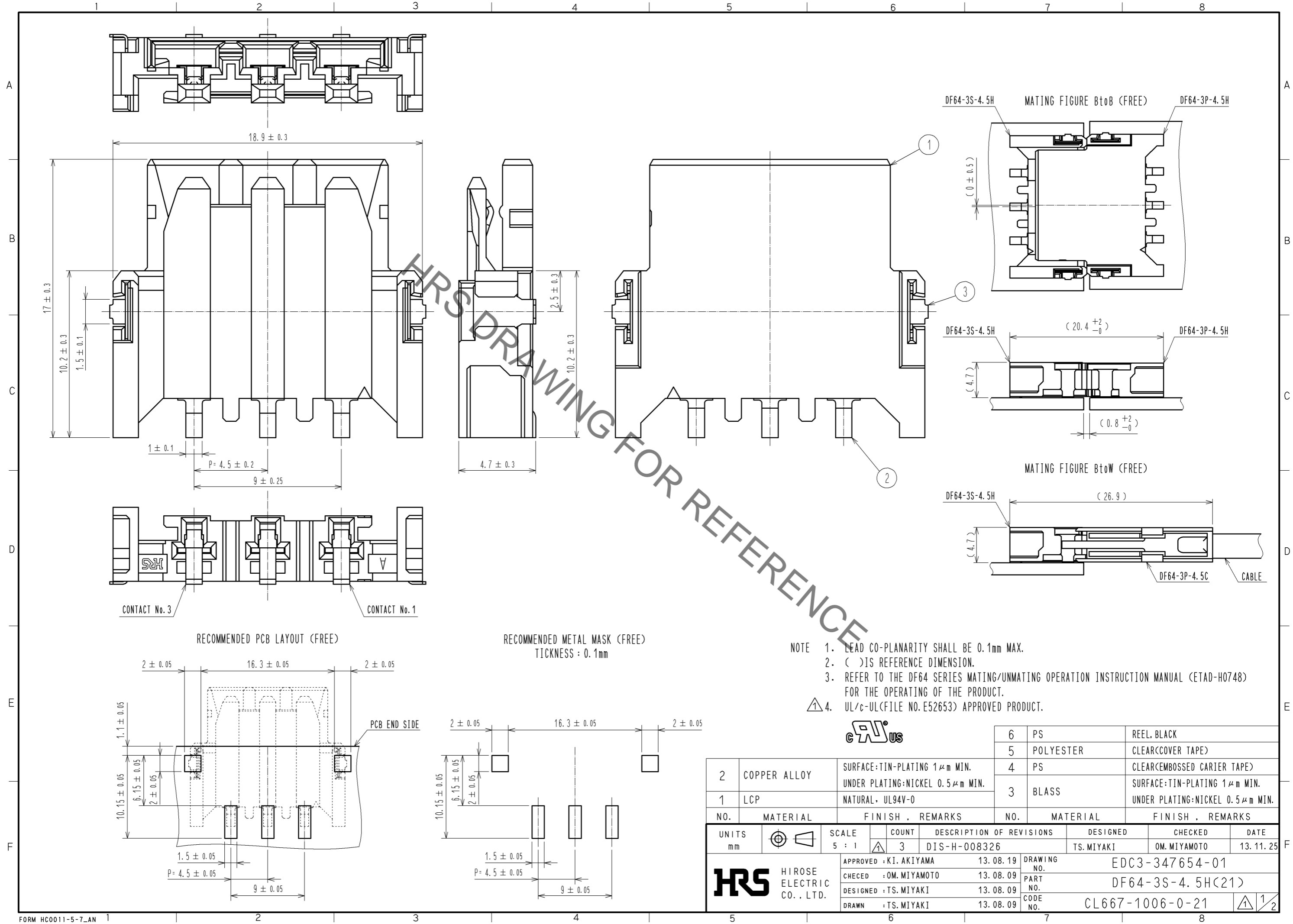


Jun.1.2020 Copyright 2020 HIROSE ELECTRIC CO., LTD. All Rights Reserved.
In case of consideration for using Automotive equipment / device which demand high reliability, kindly contact our sales window correspondents.



- NOTE
1. LEAD CO-PLANARITY SHALL BE 0.1mm MAX.
 2. () IS REFERENCE DIMENSION.
 3. REFER TO THE DF64 SERIES MATING/UNMATING OPERATION INSTRUCTION MANUAL (ETAD-H0748) FOR THE OPERATING OF THE PRODUCT.
 4. UL/c-UL (FILE NO. E52653) APPROVED PRODUCT.



NO.	MATERIAL	FINISH	REMARKS	NO.	MATERIAL	FINISH	REMARKS
2	COPPER ALLOY	SURFACE:TIN-PLATING 1μm MIN. UNDER PLATING:NICKEL 0.5μm MIN.		6	PS		REEL, BLACK
1	LCP	NATURAL, UL94V-0		5	POLYESTER		CLEAR(COVER TAPE)
				4	PS		CLEAR(EMBOSSED CARRIER TAPE)
				3	BLASS	SURFACE:TIN-PLATING 1μm MIN. UNDER PLATING:NICKEL 0.5μm MIN.	

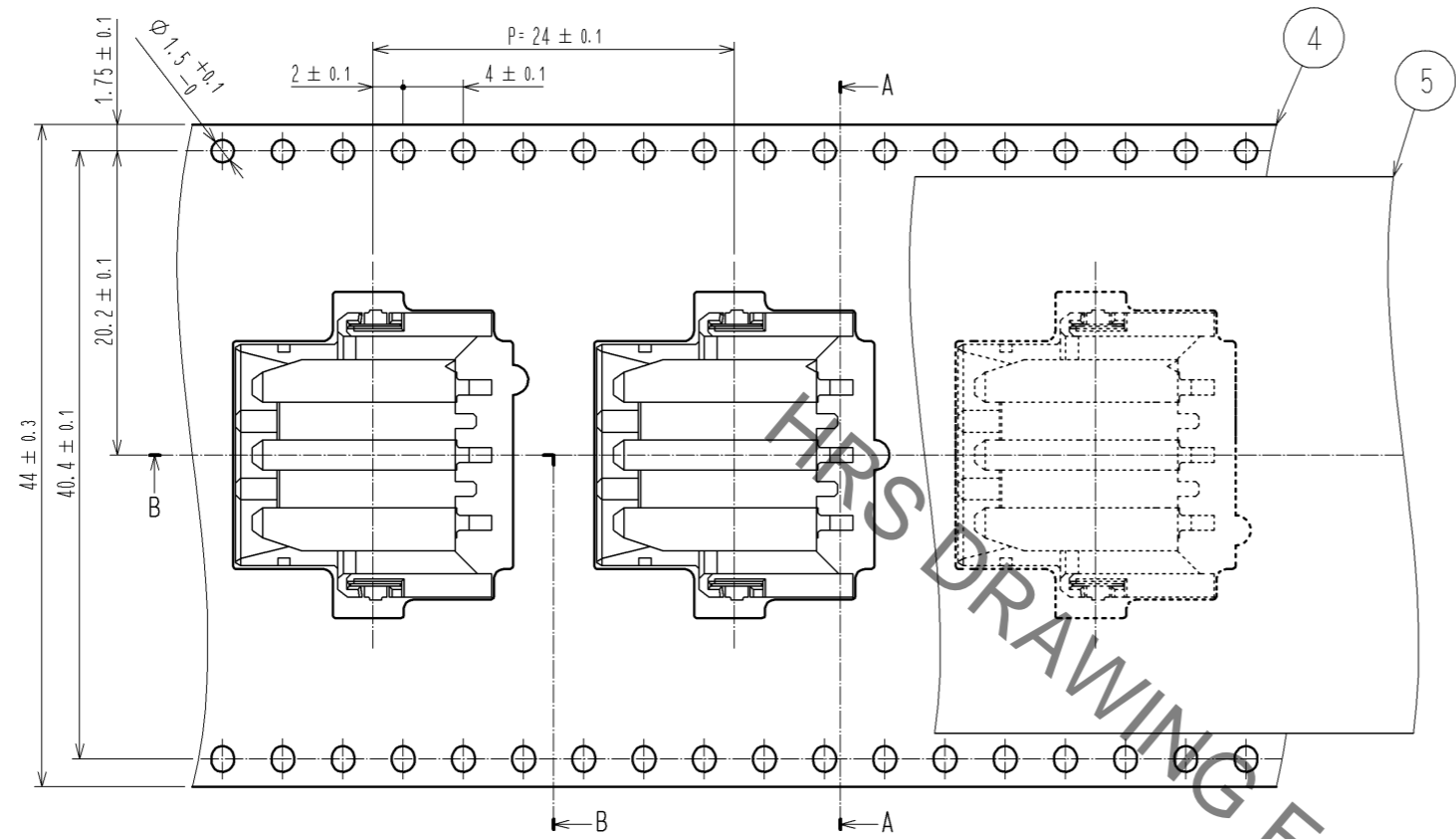
UNITS	SCALE	COUNT	DESCRIPTION OF REVISIONS	DESIGNED	CHECKED	DATE
mm	5 : 1	3	DIS-H-008326	TS.MIYAKI	OM.MIYAMOTO	13.11.25

APPROVED	CHECKED	DESIGNED	DRAWN	DATE
KI. AKIYAMA	OM. MIYAMOTO	TS. MIYAKI	TS. MIYAKI	13.08.19
				13.08.09
				13.08.09
				13.08.09

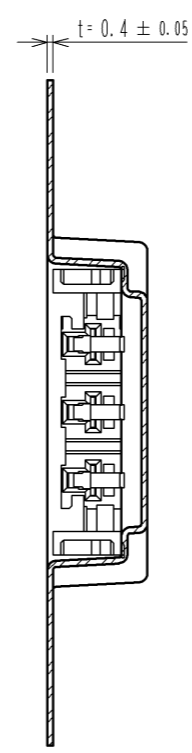
DRAWING NO.	PART NO.	CODE NO.
EDC3-347654-01	DF64-3S-4.5H(21)	CL667-1006-0-21

Jun.1.2020 Copyright 2020 HIROSE ELECTRIC CO., LTD. All Rights Reserved.
 In case of consideration for using Automotive equipment / device which demand high reliability, kindly contact our sales window correspondents.

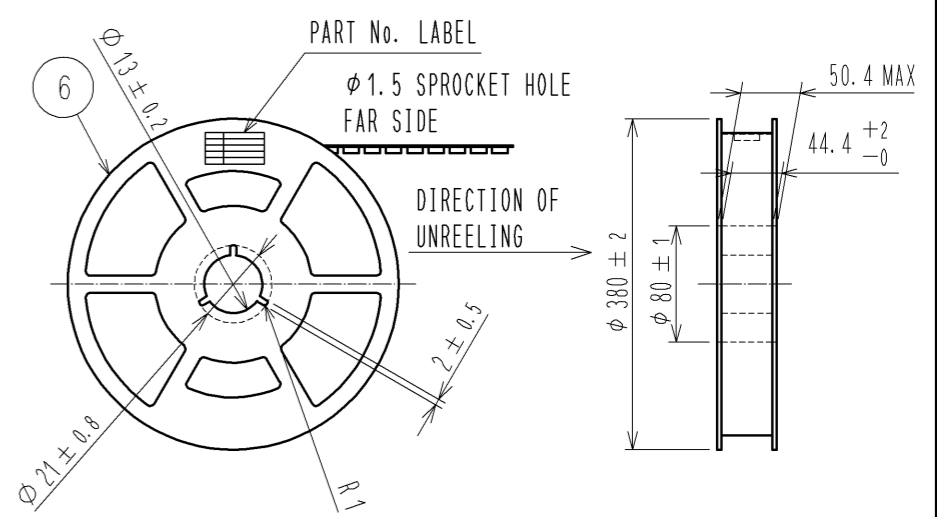
DRAWING FOR PACKING (2:1)



A-A(2:1)



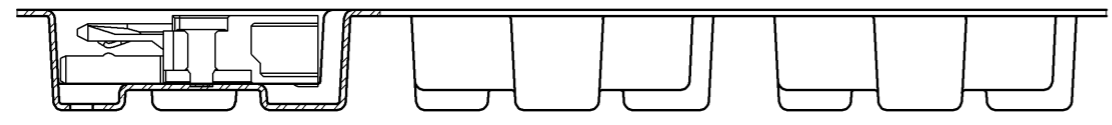
STYLE AND DIMENSION OF REEL(FREE)



DETAIL OF PART No. LABEL

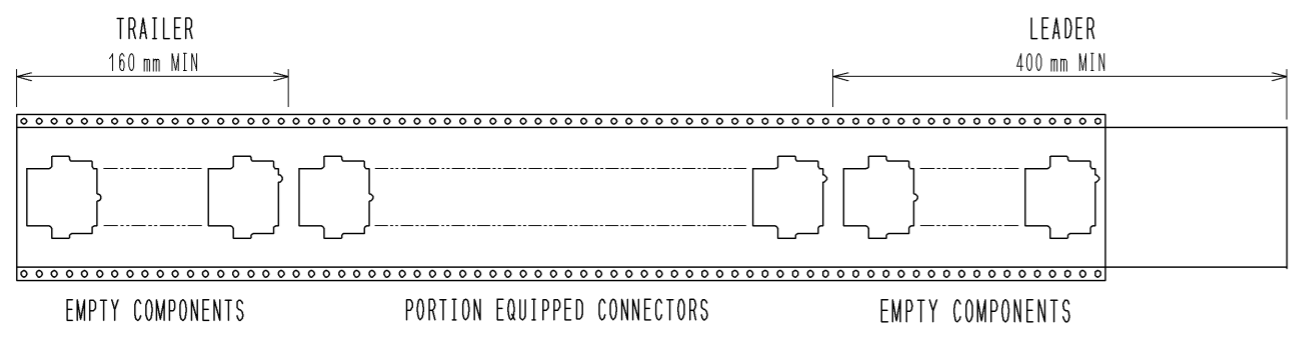
生産月日	年 月 日
図 番	CL667-1006-0-21
品 名	DF64-3S-4.5H(21)
納入数量	500 K0
納入者	ヒロセ電機(株)

B-B(2:1)

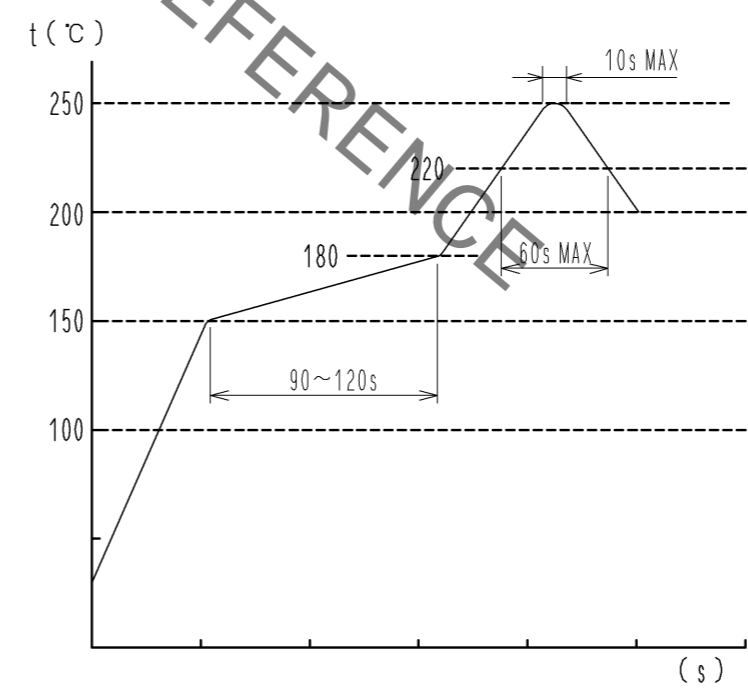


DIRECTION OF REELING →

①⑥ TAPING(FREE)



REFLOW TEMPERATURE PROFILE USING LEAD-FREE SOLDER PASTE (REFERENCE)



NUMBER OF REFLOW CYCLES 2 CYCLES MAX
 THE TEMPERATURE IS MEASURED IN THE TERMINAL LEAD PART.
 ADDITIONAL FACTORS, SUCH AS SOLDER PASTE TYPE,
 PCB SIZE AND OTHER MOUNTED COMPONENTS COULD AFFECT
 THE PROFILE.
 THEREFORE, A THOROUGH EVALUATION OF MOUNTING CONDITION IS
 REQUIRED PRIOR TO PRODUCTION.
 TEMPERATURE IS MEASURED AT CONTACT LEAD.

- ① NOTE 5. 1REEL:500 CONNECTORS.
- ⑥ REEL TO JIS C 0806.(PACKAGING OF COMPONENTS FOR AUTOMATING HANDLING)
- 7. () IS REFERENCE DIMENSION.

HRS	DRAWING NO.	EDC3-347654-01
	PART NO.	DF64-3S-4.5H(21)
	CODE NO.	CL667-1006-0-21
		①/2