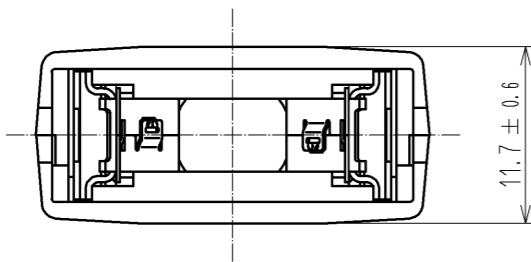
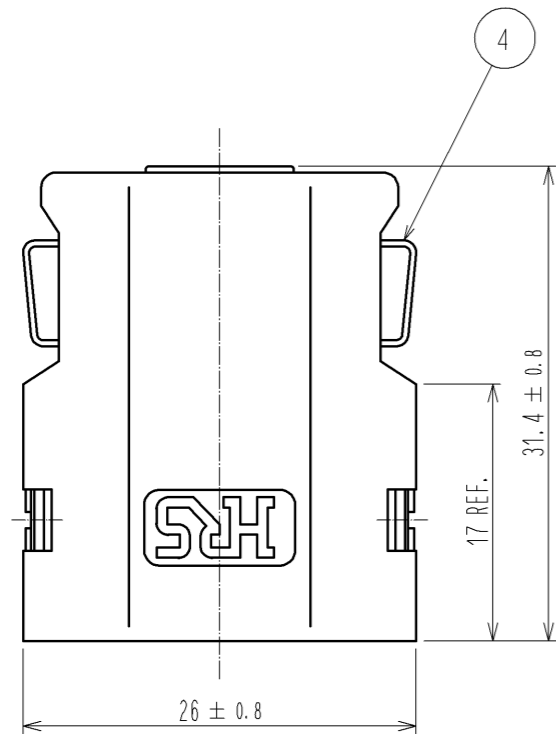
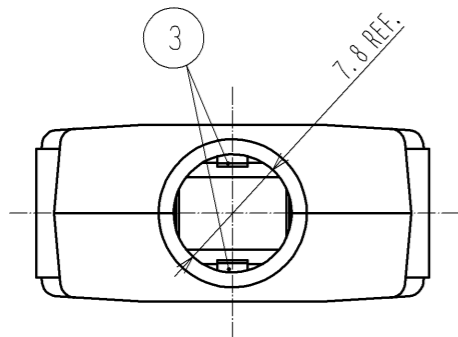
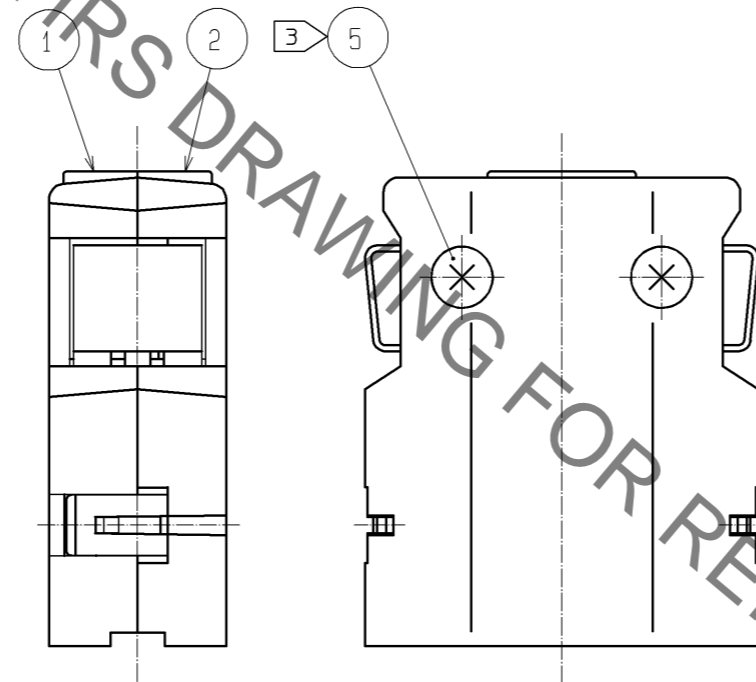


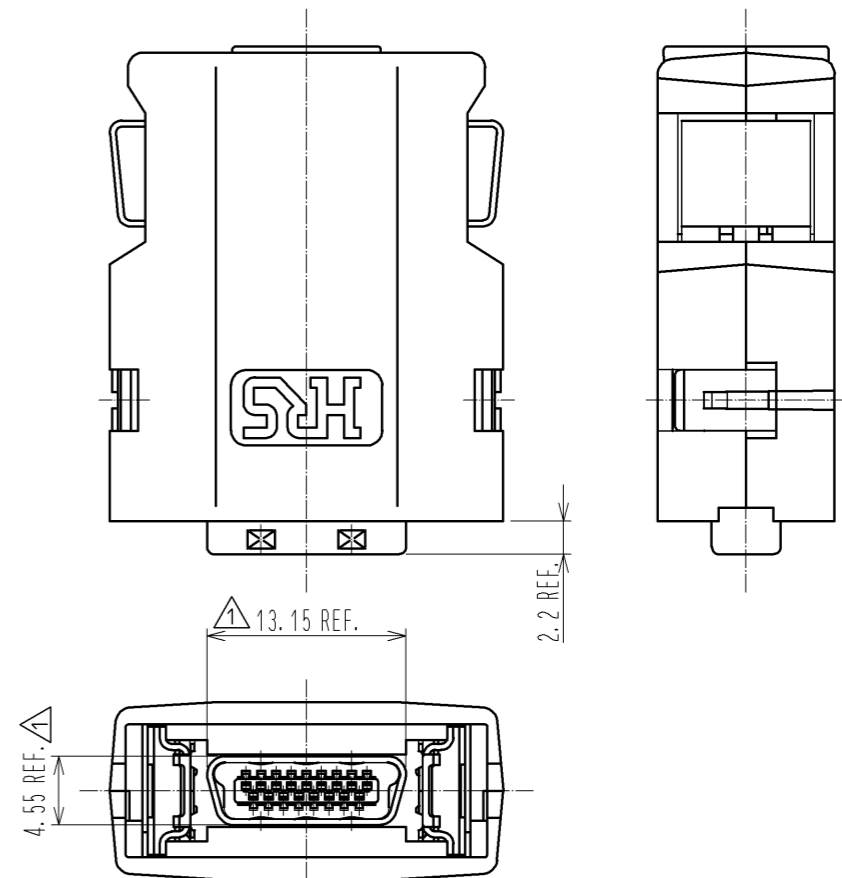
Jun.1.2020 Copyright 2020 HIROSE ELECTRIC CO., LTD. All Rights Reserved.  
 In case of consideration for using Automotive equipment / device which demand high reliability, kindly contact our sales window correspondents.



HRS DRAWING FOR REFERENCE



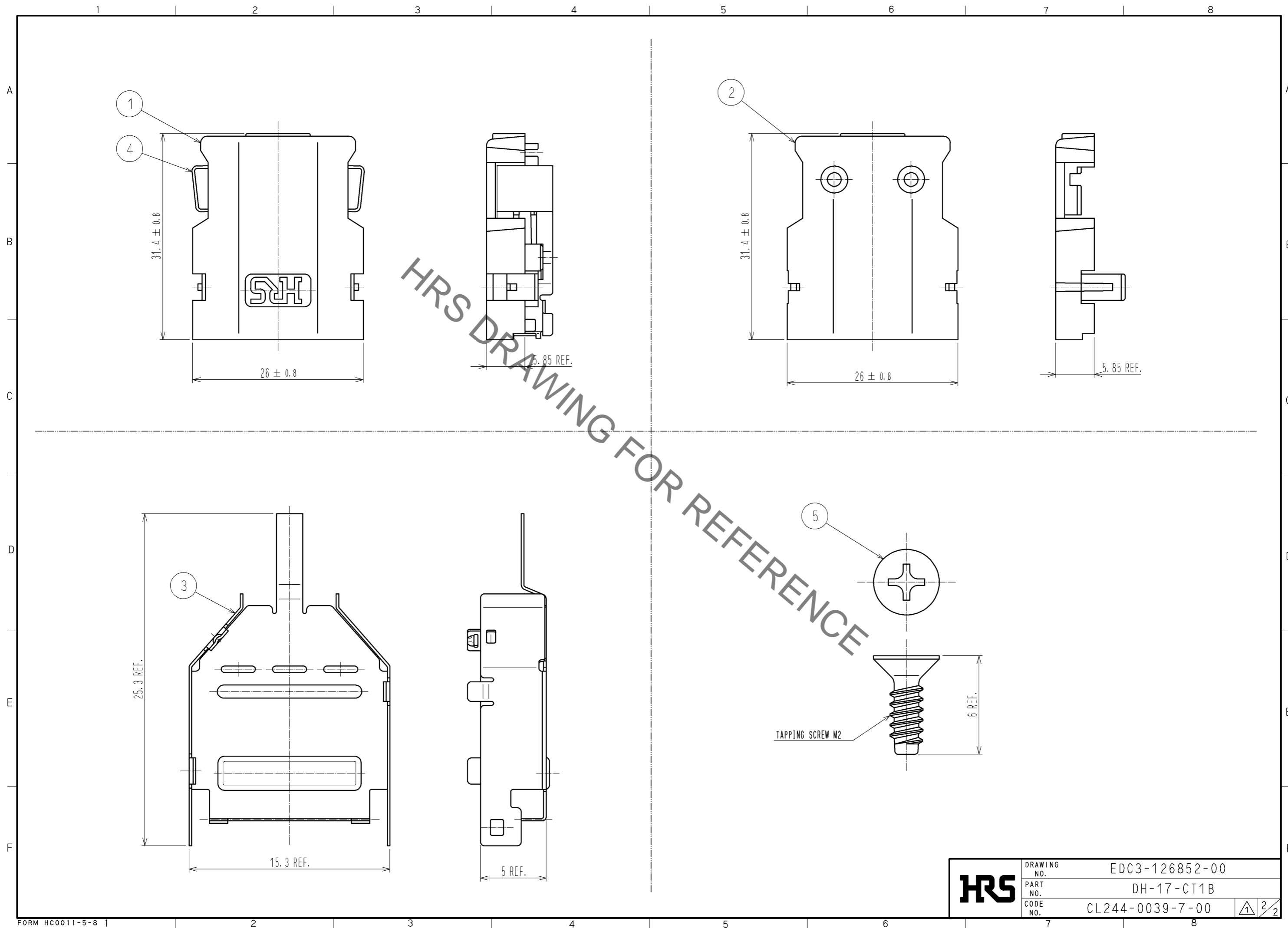
2 ASSEMBLED



- NOTE 1 THIS PRODUCT IS DELIVERED SEPARATELY.  
 2 AS SHOWN IN THE FIGURE, THIS PRODUCT SHALL BE USED ASSEMBLED TO A CONNECTOR UNIT 'DH3+B-17S'.  
 A CLAMP 'DH-17-CMB(6.3)' IS NEEDED WHEN ASSEMBLING THE UNIT.  
 3 A RECOMMENDED SCREW TIGHTENING FOR COVERS TO BE FROM 0.1 TO 0.15 N·m.

2	PC	UL94V-0 BLACK	5	STEEL	TRIVALENT BLACK CHROMATE
1			4	STAINLESS STEEL	
			3	STAINLESS STEEL	PLATING : NICKEL 0.1 μm MIN.
NO.	MATERIAL	FINISH . REMARKS	NO.	MATERIAL	FINISH . REMARKS
UNITS mm		SCALE 2 : 1	COUNT 2	DESCRIPTION OF REVISIONS	
				DESIGNED TM. ONO	CHECKED KN. ICHIKAWA
				DATE 09.12.14	
<b>HRS</b> HIROSE ELECTRIC CO., LTD.		APPROVED : A0. SUZUKI	09.04.22	DRAWING NO. EDC3-126852-00	
		CHECKED : KN. ICHIKAWA	09.04.22	PART NO. DH-17-CT1B	
		DESIGNED : MO. SHIMOYAMA	09.04.21	CODE NO. CL244-0039-7-00	
		DRAWN : MO. SHIMOYAMA	09.04.21		

Jun.1.2020 Copyright 2020 HIROSE ELECTRIC CO., LTD. All Rights Reserved.  
In case of consideration for using Automotive equipment / device which demand high reliability, kindly contact our sales window correspondents.



<b>HRS</b>	DRAWING NO.	EDC3-126852-00
	PART NO.	DH-17-CT1B
	CODE NO.	CL244-0039-7-00
		2/2