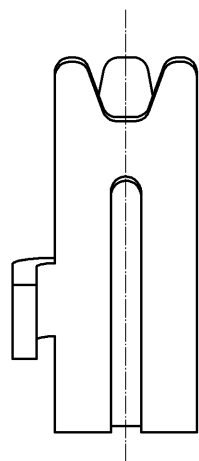
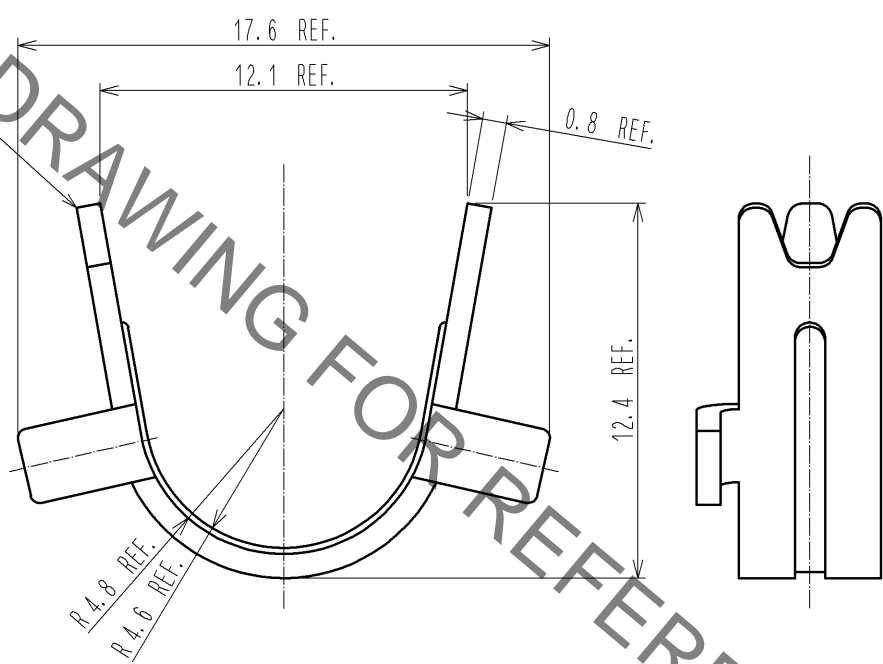
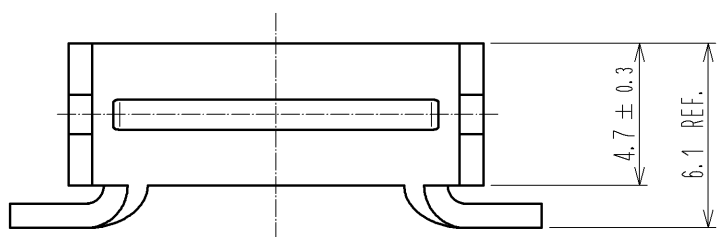


Jun.1.2020 Copyright 2020 HIROSE ELECTRIC CO., LTD. All Rights Reserved.  
 In case of consideration for using Automotive equipment / device which demand high reliability, kindly contact our sales window correspondents.



HRS DRAWING FOR REFERENCE

NOTE 1. THIS PRODUCT IS A CLAMP FOR A COVER CASE 'DH-37-C\*\*B'  
 2. THE APPLICABLE CABLE DIAMETER IS  $\phi 8.8$   
 △ 3. THIS PRODUCT IS PACKED IN A BAG.  
 (QUANTITY PER BAG MAY VARY DUE TO THE AMOUNT OF EACH ORDER.)

				1 BRASS				
NO.	MATERIAL	FINISH . REMARKS		NO.	MATERIAL	FINISH . REMARKS		
UNITS mm		SCALE 4 : 1	COUNT △ 1	DESCRIPTION OF REVISIONS DIS-E-003059		DESIGNED MO. SHIMOYAMA	CHECKED KN. ICHIKAWA	DATE 09.12.07
HIROSE ELECTRIC CO., LTD.		APPROVED : AO. SUZUKI	09.10.05	DRAWING NO.		EDC4-126659-00		
		CHECKED : KN. ICHIKAWA	09.10.02	PART NO.		DH-37-CMB(8.8)		
		DESIGNED : TU. TANIGUCHI	09.10.02	CODE NO.		CL244-0033-0-00		
		DRAWN : TU. TANIGUCHI	09.10.02			△ 1/1		