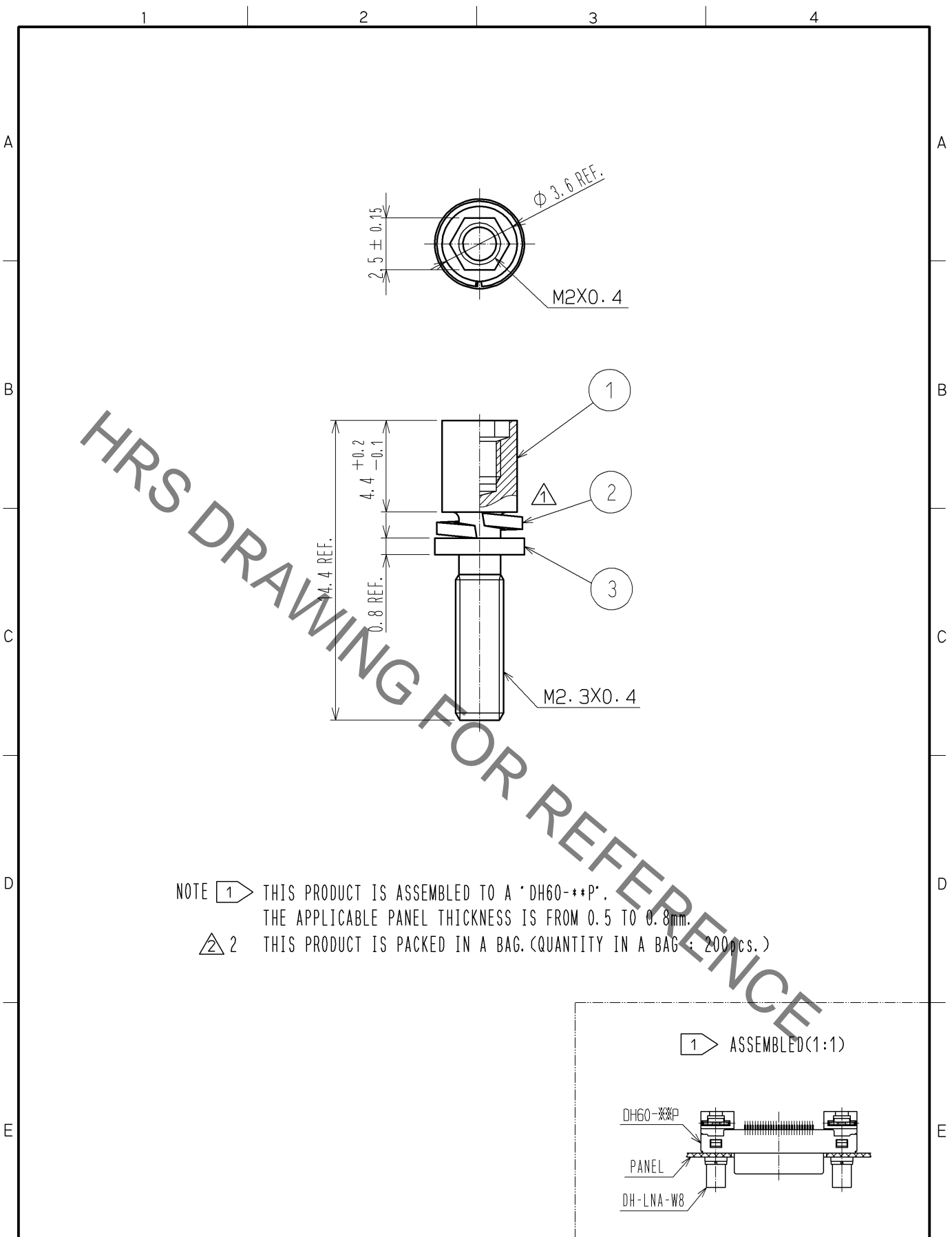
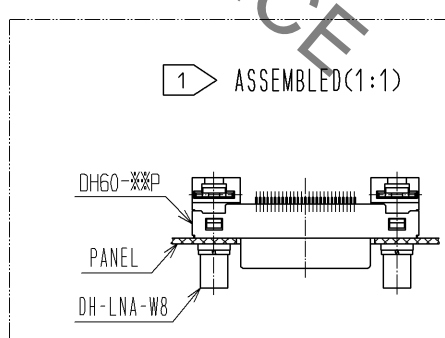


Jun.1.2020 Copyright 2020 HIROSE ELECTRIC CO., LTD. All Rights Reserved.
 In case of consideration for using Automotive equipment / device which demand high reliability, kindly contact our sales window correspondents.



NOTE ① THIS PRODUCT IS ASSEMBLED TO A "DH60-**P".
 THE APPLICABLE PANEL THICKNESS IS FROM 0.5 TO 0.8mm.
 ② THIS PRODUCT IS PACKED IN A BAG. (QUANTITY IN A BAG : 200 pcs.)



1		STEEL	OVER PLATING : NICKEL 5μm MIN UNDER PLATING : COPPER 1μm MIN	3	STEEL	OVER PLATING : NICKEL 5μm MIN UNDER PLATING : COPPER 1μm MIN			
NO.		MATERIAL	FINISH , REMARKS	NO.	MATERIAL	FINISH , REMARKS			
UNITS mm			SCALE 4 : 1	COUNT ② 1	DESCRIPTION OF REVISIONS		DESIGNED MO. SHIMOYAMA	CHECKED KN. ICHIKAWA	DATE 09.12.07
HIROSE ELECTRIC CO., LTD.		APPROVED : AO. SUZUKI 09.04.27			DRAWING NO. EDC4-126529-00		PART NO. DH-LNA-W8 CODE NO. CL244-0004-2-00		
		CHECKED : MO. SHIMOYAMA 09.04.24			NO.				
		DESIGNED : TS. ITO 09.04.24			NO.				
		DRAWN : TS. ITO 09.04.24			NO.				