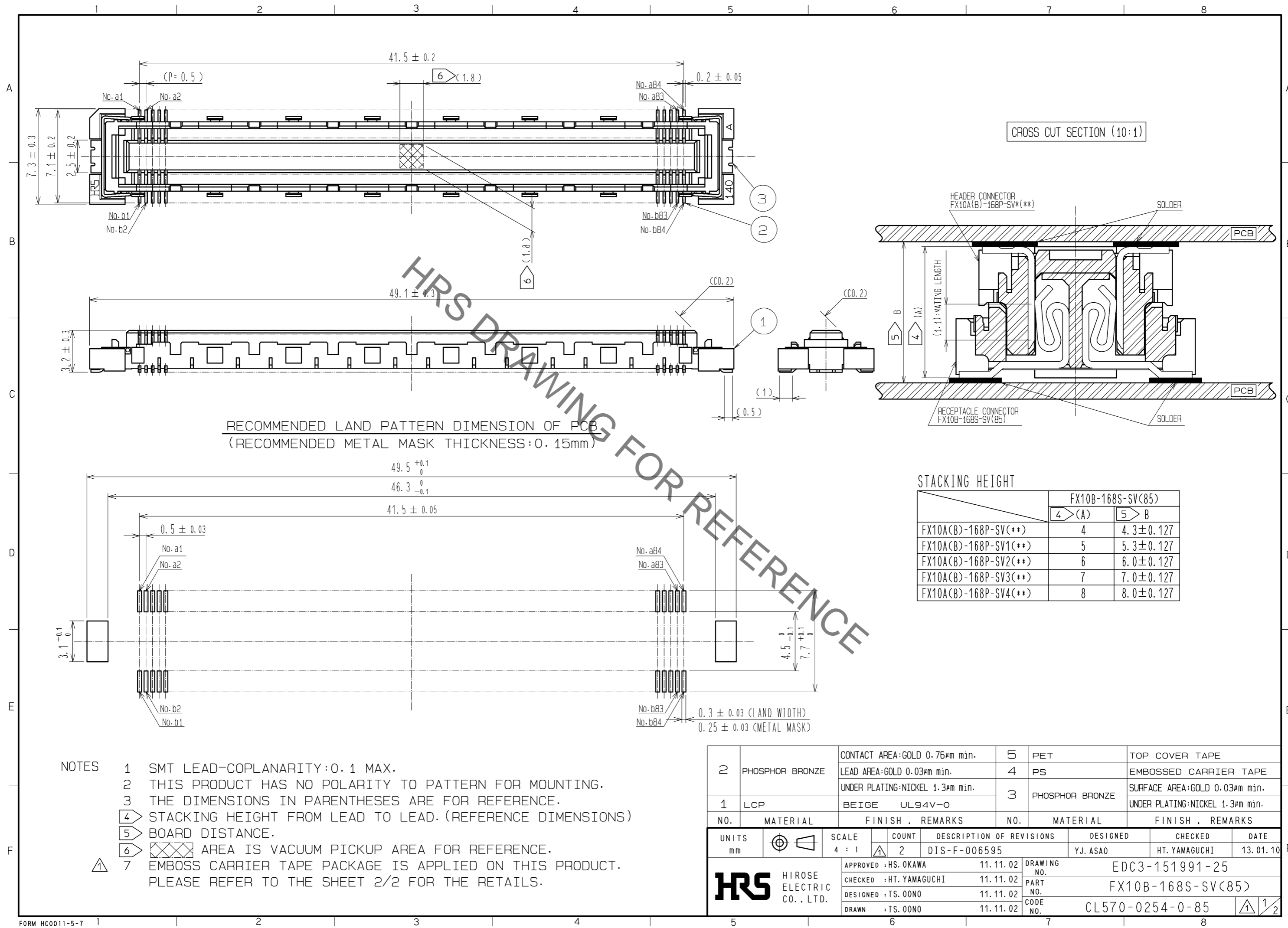


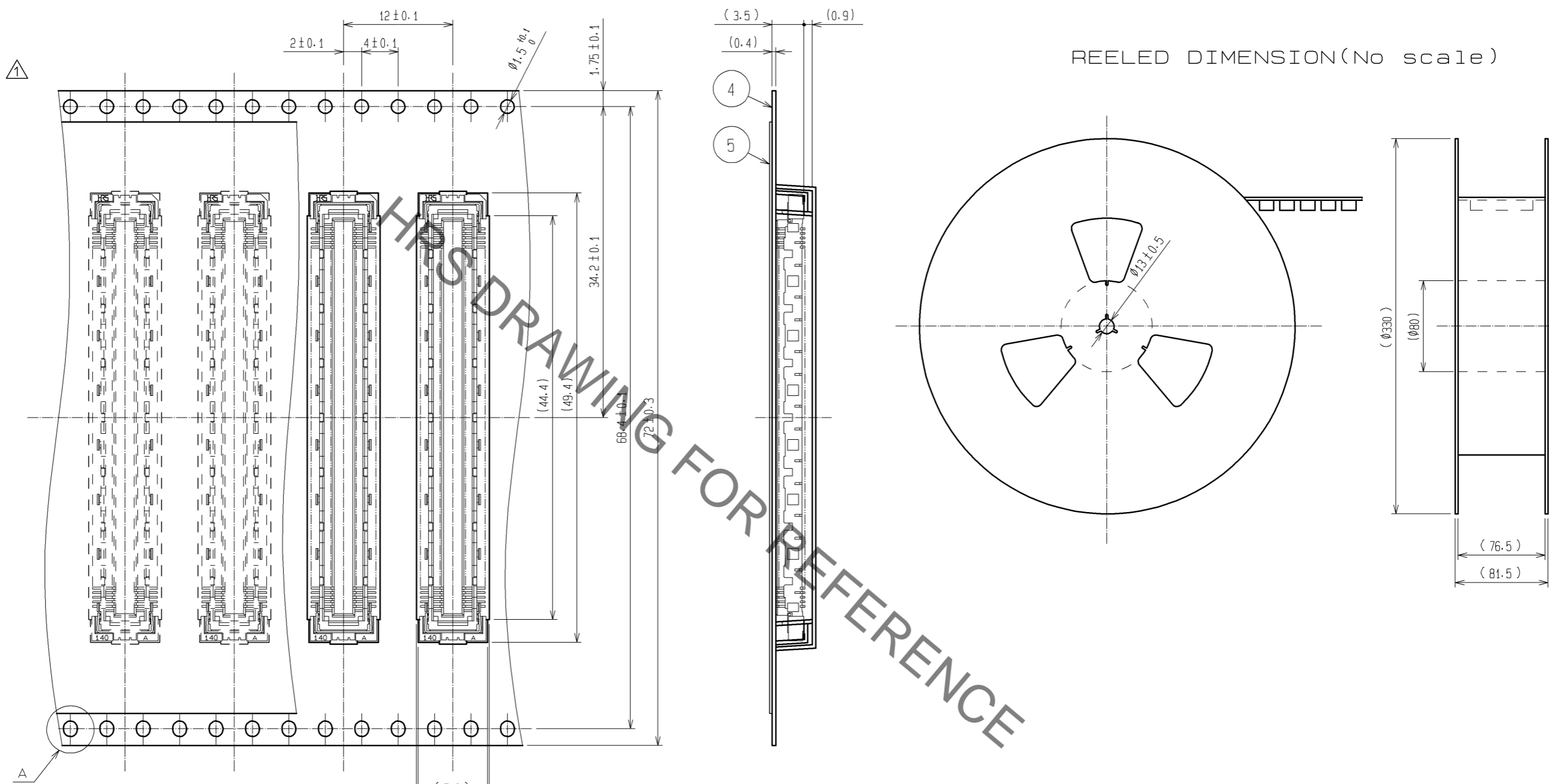
Jun.1.2020 Copyright 2020 HIROSE ELECTRIC CO., LTD. All Rights Reserved.
 In case of consideration for using Automotive equipment / device which demand high reliability, kindly contact our sales window correspondents.



2	PHOSPHOR BRONZE	CONTACT AREA: GOLD 0.76μm min.	5	PET	TOP COVER TAPE		
		LEAD AREA: GOLD 0.03μm min.	4	PS	EMBOSSED CARRIER TAPE		
		UNDER PLATING: NICKEL 1.3μm min.	3	PHOSPHOR BRONZE	SURFACE AREA: GOLD 0.03μm min. UNDER PLATING: NICKEL 1.3μm min.		
1	LCP	BEIGE UL94V-0					
NO.	MATERIAL	FINISH . REMARKS	NO.	MATERIAL	FINISH . REMARKS		
UNITS mm		SCALE 4 : 1	COUNT 2	DESCRIPTION OF REVISIONS DIS-F-006595	DESIGNED Y.J. ASAO	CHECKED HT. YAMAGUCHI	DATE 13.01.10
HRS HIROSE ELECTRIC CO., LTD.		APPROVED : HS. OKAWA	11.11.02	DRAWING NO. EDC3-151991-25			
		CHECKED : HT. YAMAGUCHI	11.11.02	PART NO. FX10B-168S-SV(85)			
		DESIGNED : TS. OONO	11.11.02	CODE NO. CL570-0254-0-85			
		DRAWN : TS. OONO	11.11.02	1/2			

Jun.1.2020 Copyright 2020 HIROSE ELECTRIC CO., LTD. All Rights Reserved.
 In case of consideration for using Automotive equipment / device which demand high reliability, kindly contact our sales window correspondents.

DRAWING FOR PACKING(2:1)

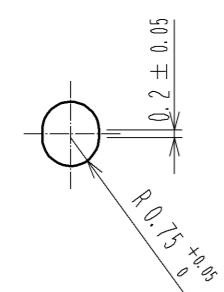


REELED DIMENSION(No scale)

THIS DRAWING FOR REFERENCE

- NOTES 1 1REEL : 250 CONNECTORS.
 2 MINIMUM 10 COMPARTMENTS FROM BOTH REEL ENDS REMAIN EMPTY.
 3 THIS PRODUCT HAS NO POLARITY TO TAPE AND REEL PACKAGING.
 4 THE DIMENSIONS IN PARENTHESES ARE FOR REFERENCE.

A(5:1)



HRS	DRAWING NO.	EDC3-151991-25	2/2
	PART NO.	FX10B-168S-SV(85)	
	CODE NO.	CL570-0254-0-85	