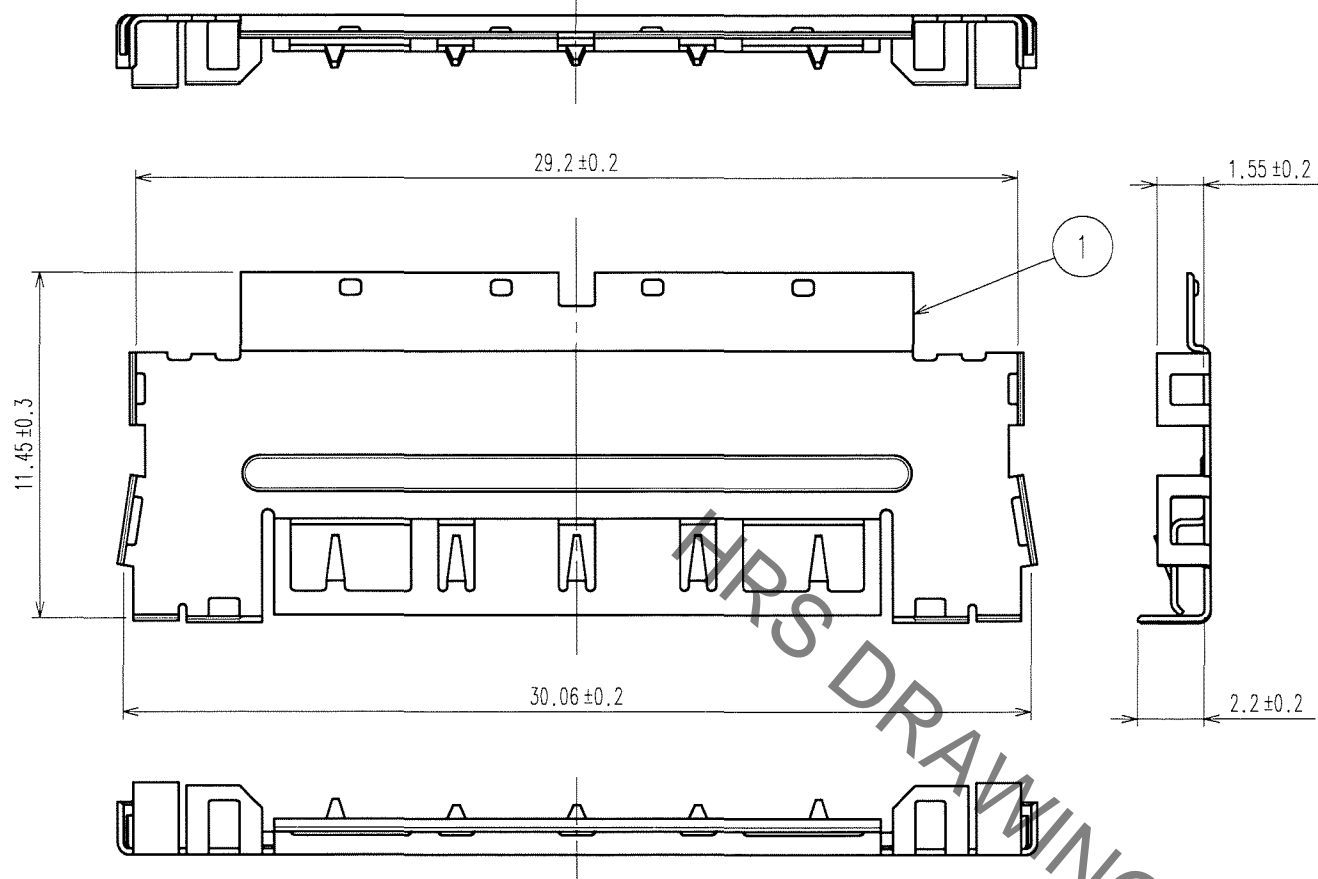
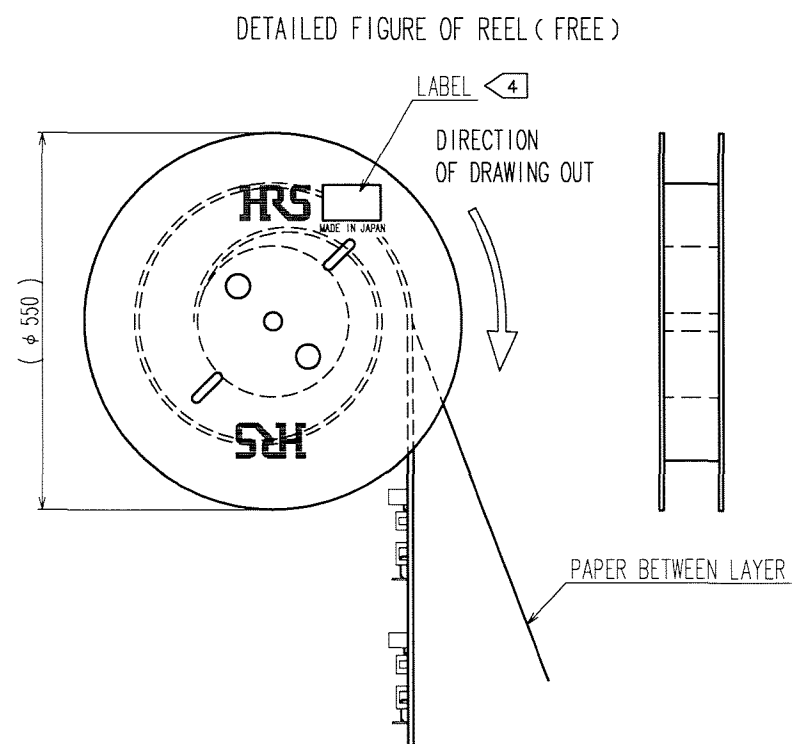
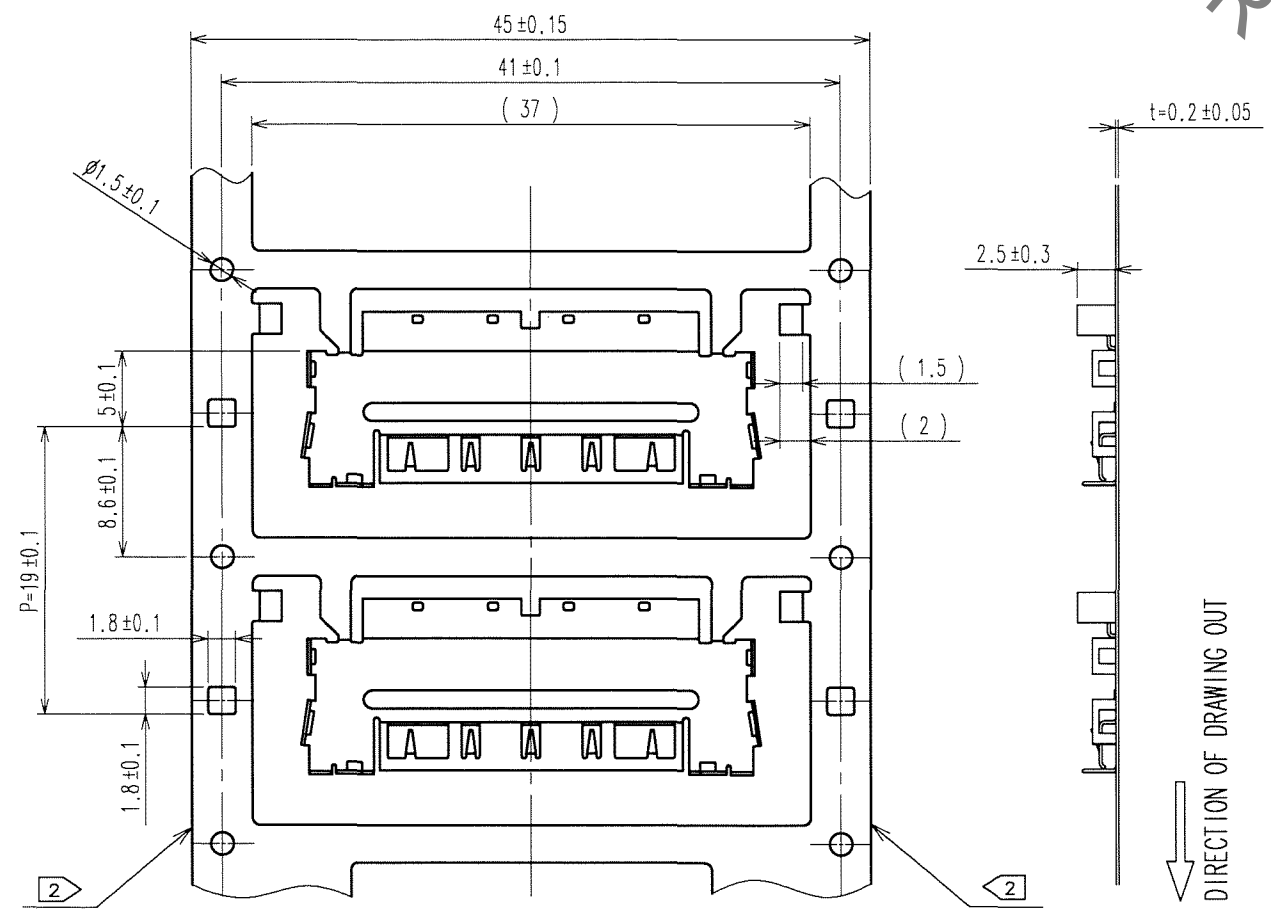


Jun.1.2020 Copyright 2020 HIROSE ELECTRIC CO., LTD. All Rights Reserved.  
 In case of consideration for using Automotive equipment / device which demand high reliability, kindly contact our sales window correspondents.

COUNT	DESCRIPTION OF REVISIONS	BY	CHKD	DATE	COUNT	DESCRIPTION OF REVISIONS	BY	CHKD	DATE



キャリア詳細図 (2:1)



- NOTE 1. Manufacturing process could leave scratch and/or punch marks having no affect on the product performance.  
 2 Side cut can be provided to prevent carrier curve.  
 3. 2500 pieces per reel  
 4 Label as shown below is indicated.

HRS		INSPECTION
検査		検査
CODE No.	CL575-2111-6	
品名コード	CL575-2111-6	
PART NO.	FX15S-41P-GND	
品名	FX15S-41P-GND	
数量	2,500 PCS	
PECULIAR 仕様	NP0.3	
Lot No		
SPLICE 継ぎ目		

5. Dimensions in ( ) are for reference.  
 6. This is a component for separately available product; FX15S-41P-0.5SD. Make sure to use with the specified combination.

NO.	MATERIAL	FINISH, REMARKS	NO.	MATERIAL	FINISH, REMARKS		
1	STAINLESS			NICKEL 0.3μ m min			
CODE NO. (OLD)		CL	DRAWN	DESIGNED	CHECKED	APPROVED	RELEASED
			K.SHIBUYA	K. Shibuya	H. Yamaguchi	H. Okawa	
			07.05.10	07.05.10	07.05.11	07.05.11	
DRAWING NO.		EDC3-156255	PART NO.		FX15S-41P-GND		
SCALE		4 : 1	CODE NO.		CL575-2111-6		1/1
UNITS		mm	HRS		HIROSE ELECTRIC CO., LTD		

TO