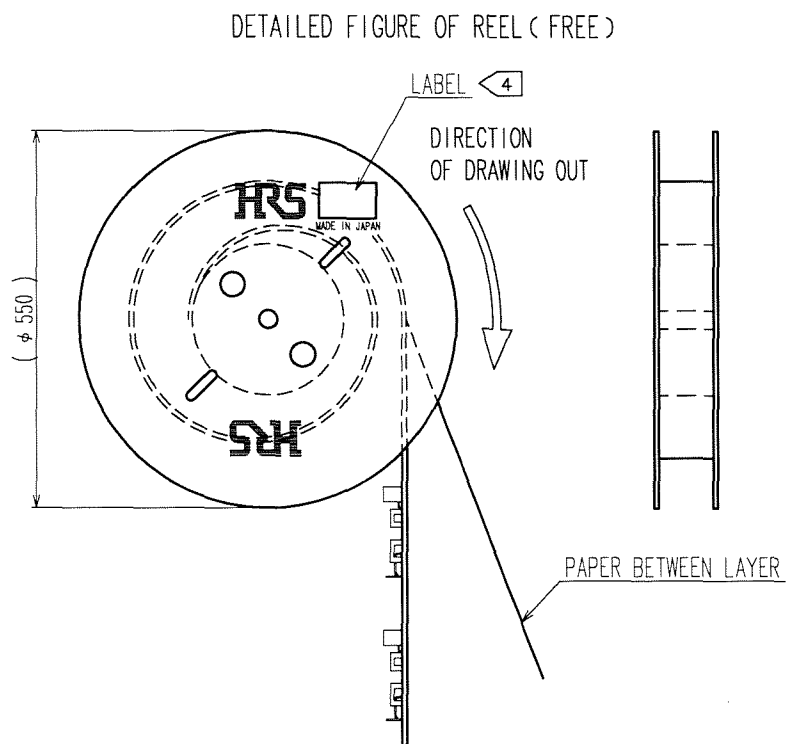
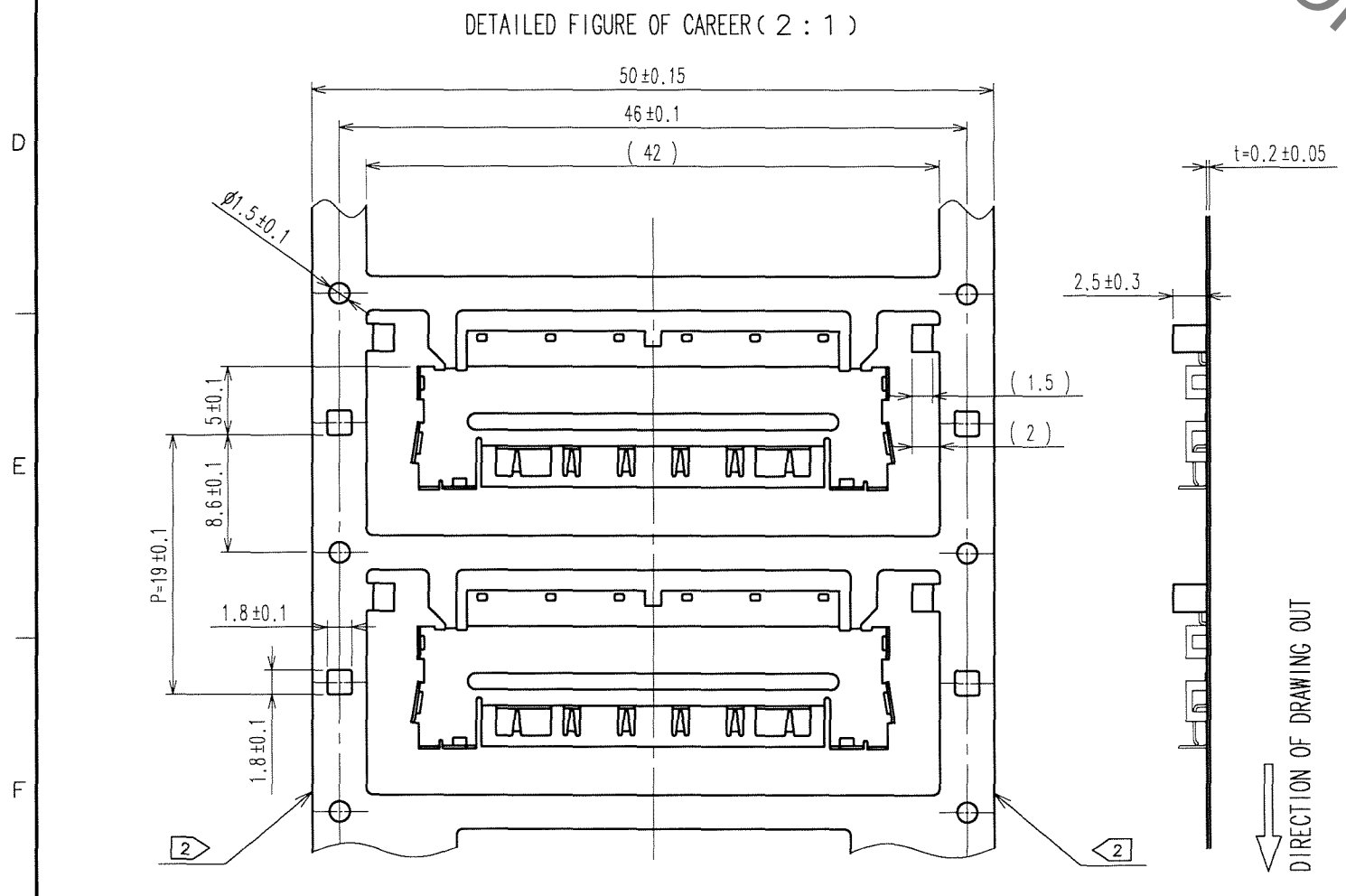
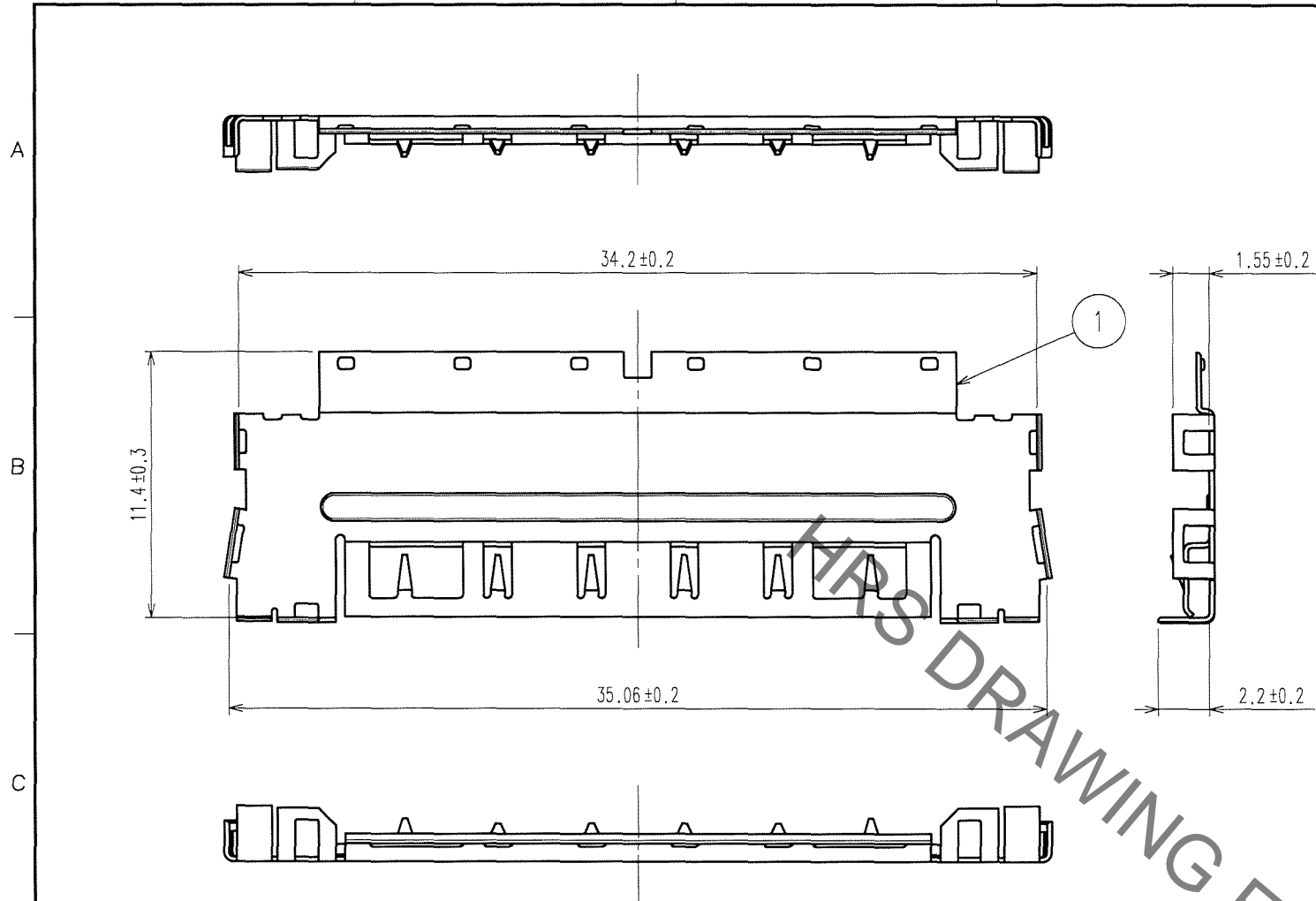


Jun.1.2020 Copyright 2020 HIROSE ELECTRIC CO., LTD. All Rights Reserved.  
 In case of consideration for using Automotive equipment / device which demand high reliability, kindly contact our sales window correspondents.

COUNT	DESCRIPTION OF REVISIONS	BY	CHKD	DATE	COUNT	DESCRIPTION OF REVISIONS	BY	CHKD	DATE
1	DIS-F-001927	K.S	H.Y	07.05.11					



- NOTE 1. Manufacturing process could leave scratch and/or punch marks having no affect on the product performance.  
 2 Side cut can be provided to prevent carrier curve.  
 3. 2500 pieces per reel  
 4 Label as shown below is indicated.

HRS		INSPECTION
CODE No.		検査
品名コード	CL575-2117-2	
PART NO.	FX15S-51P-GND	
品名		
数量	2,500 PCS	
PECULIAR		
仕様	NPO.3	
Lot No		
SPLICE		
継ぎ目		

5. Dimensions in ( ) are for reference.  
 6. This is a component for separately available product; FX15S-51P-0.5SD. △  
 Make sure to use with the specified combination.

NO.	MATERIAL	FINISH, REMARKS	NO.	MATERIAL	FINISH, REMARKS
			1	STAINLESS	NICKEL 0.3μ m min
CODE NO. (OLD)	CL		DRAWN	DESIGNED	CHECKED
			K.SHIBUYA	K.SHIBUYA	H.YAMAGUCHI
			07.03.30	07.03.30	07.04.02
			APPROVED	RELEASED	
			H.OKAWA		
			07.04.02		
DRAWING NO.	EDC3-156658		PART NO.	FX15S-51P-GND	
SCALE	FREE		CODE NO.	CL575-2117-2	
UNITS	mm				
	HRS HIROSE ELECTRIC CO., LTD				

TO