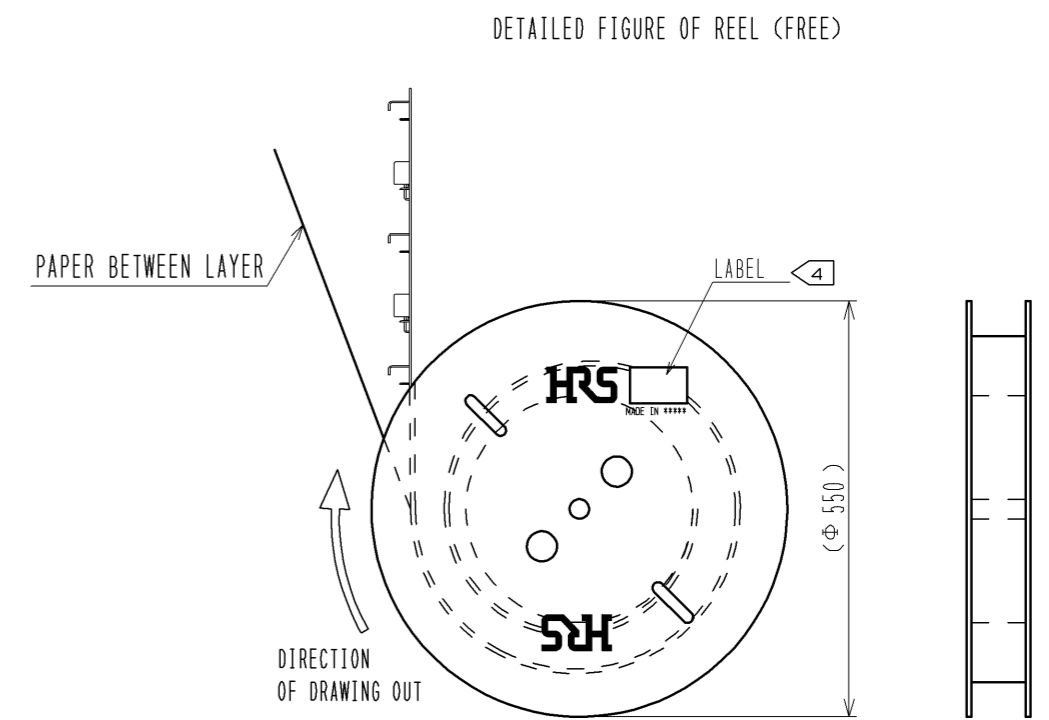
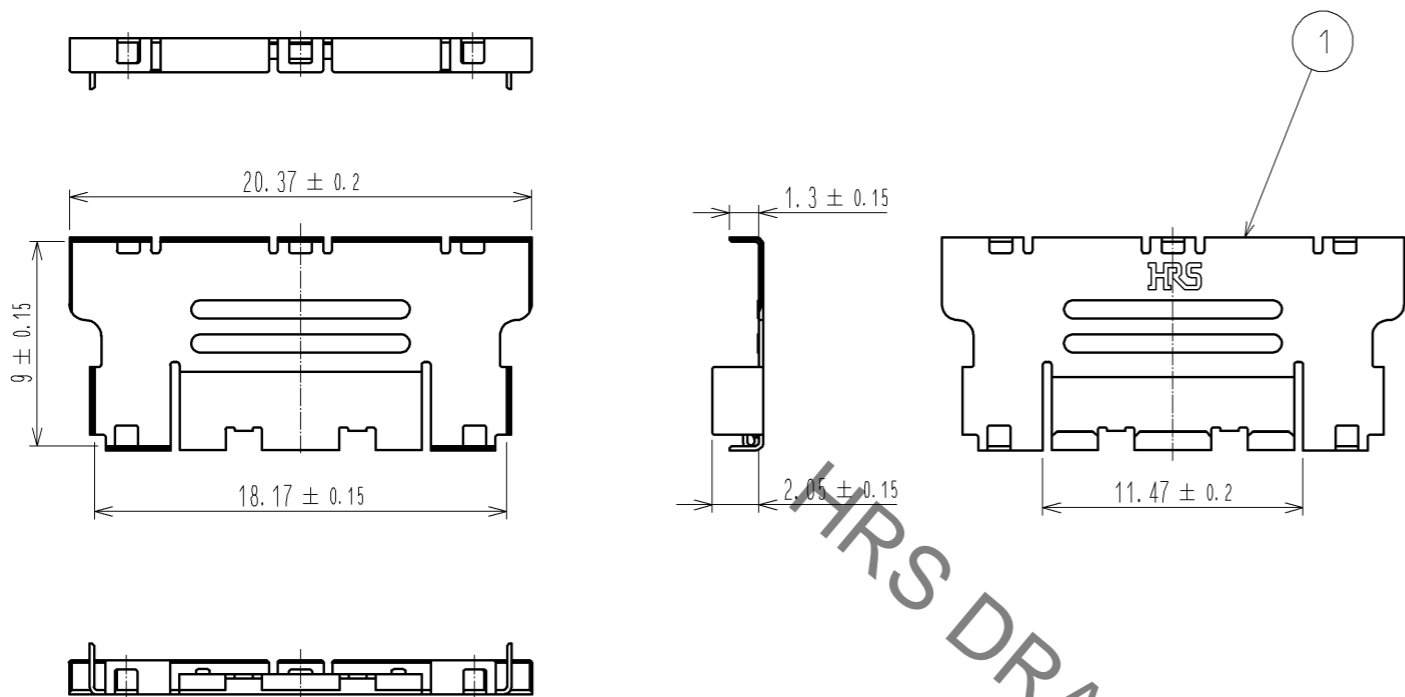
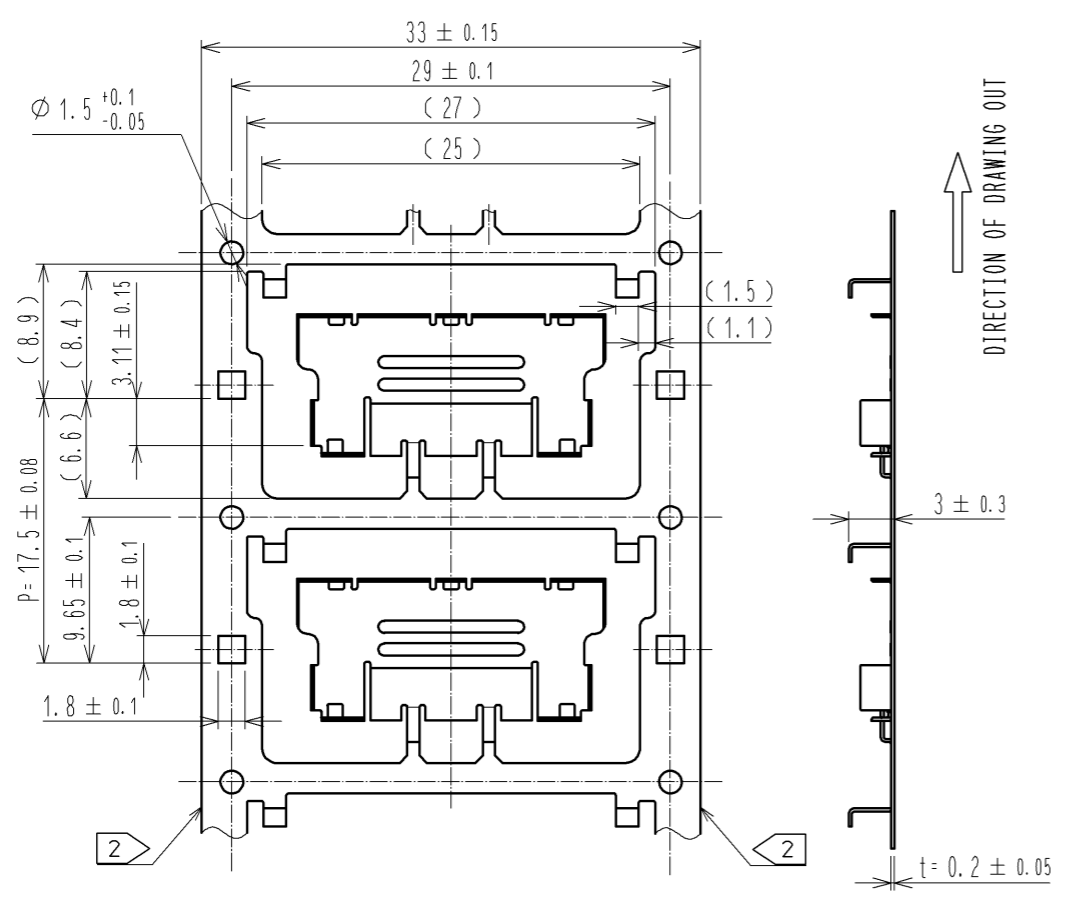


Jun.1.2020 Copyright 2020 HIROSE ELECTRIC CO., LTD. All Rights Reserved.
In case of consideration for using Automotive equipment / device which demand high reliability, kindly contact our sales window correspondents.



DETAILED FIGURE OF CAREER (2 : 1)



- NOTE 1. MANUFACTURING PROCESS COULD LEAVE SCRATCH AND/OR PUNCH MARKS HAVING NO AFFECT ON THE PRODUCT PERFORMANCE.
 2. SIDE CUT CAN BE PROVIDED TO PREVENT CARRIER CURVE.
 3. 2000 PIECES PER REEL.
 4. LABEL AS SHOWN BELOW IS INDICATED.

HRS		INSPECTION 検査
CODE No. 品名コード	CL575-3231-3	
PART NO. 品名	FX16-21P-GNDL(A)	
QTY 数量	2,000 PCS	
PECULIAR 仕様		
Lot No		
SPLICE 継ぎ目		

5. DIMENSION IN () ARE FOR REFERENCE.
 6. THIS IS A COMPONENT FOR SEPARATELY AVAILABLE PRODUCT:FX16-21P-0.5FCL OR FX16-21P-0.5SDL. WHEN FFC IS USED FOR THE CABLE, MAKE SURE TO USE WITH THE SPECIFIED COMBINATION.

NO.	MATERIAL	FINISH . REMARKS	1	STAINLESS			
UNITS mm		SCALE FREE	COUNT	DESCRIPTION OF REVISIONS	DESIGNED	CHECKED	DATE
HRS	HIROSE ELECTRIC CO., LTD.	APPROVED : HS. OKAWA	08.05.29	DRAWING NO.	EDC3-157549-00		
		CHECED : HT. YAMAGUCHI	08.05.28	PART NO.	FX16-21P-GNDL(A)		
		DESIGNED : TS. SHIBUYA	08.05.27	CODE NO.	CL575-3231-3-00		
		DRAWN : TS. SHIBUYA	08.05.27				