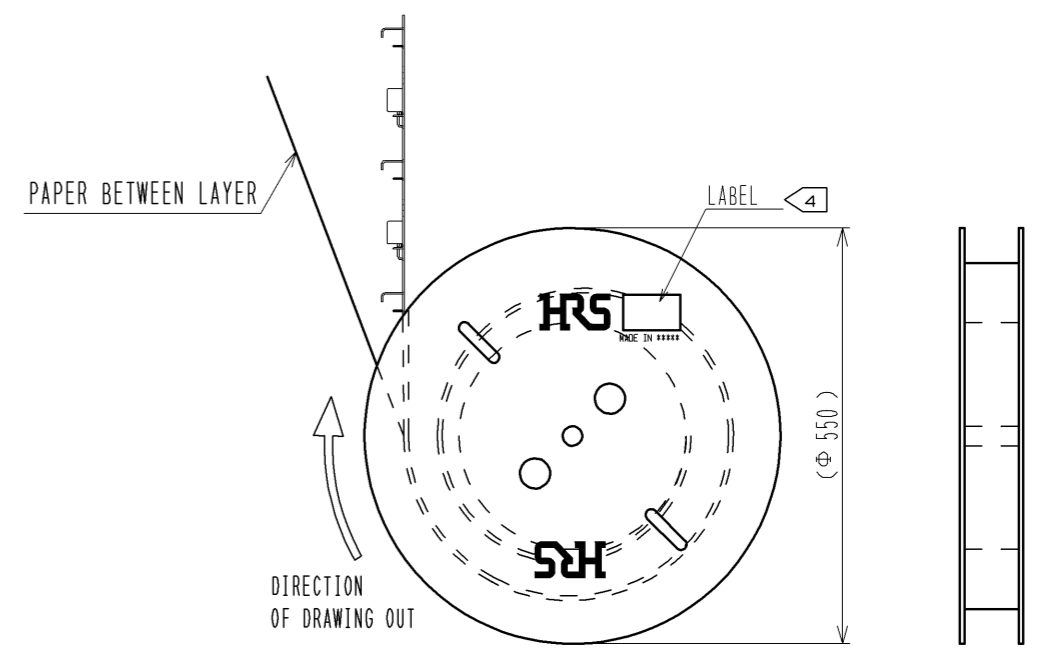
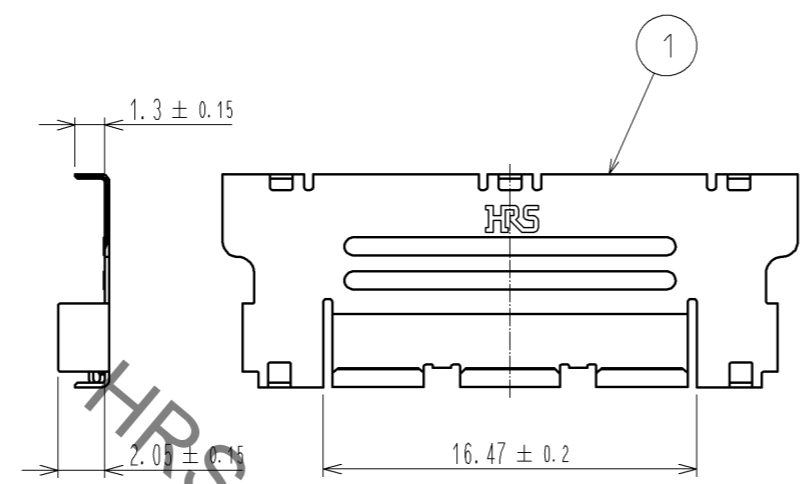
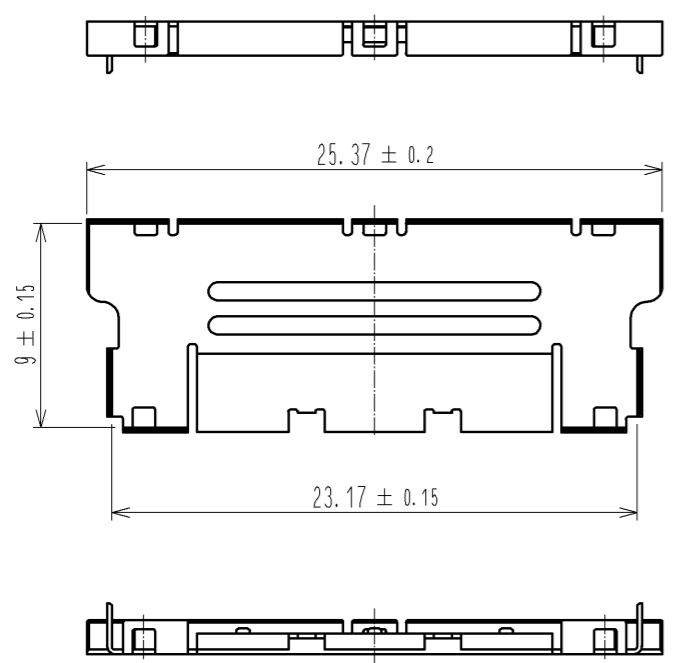
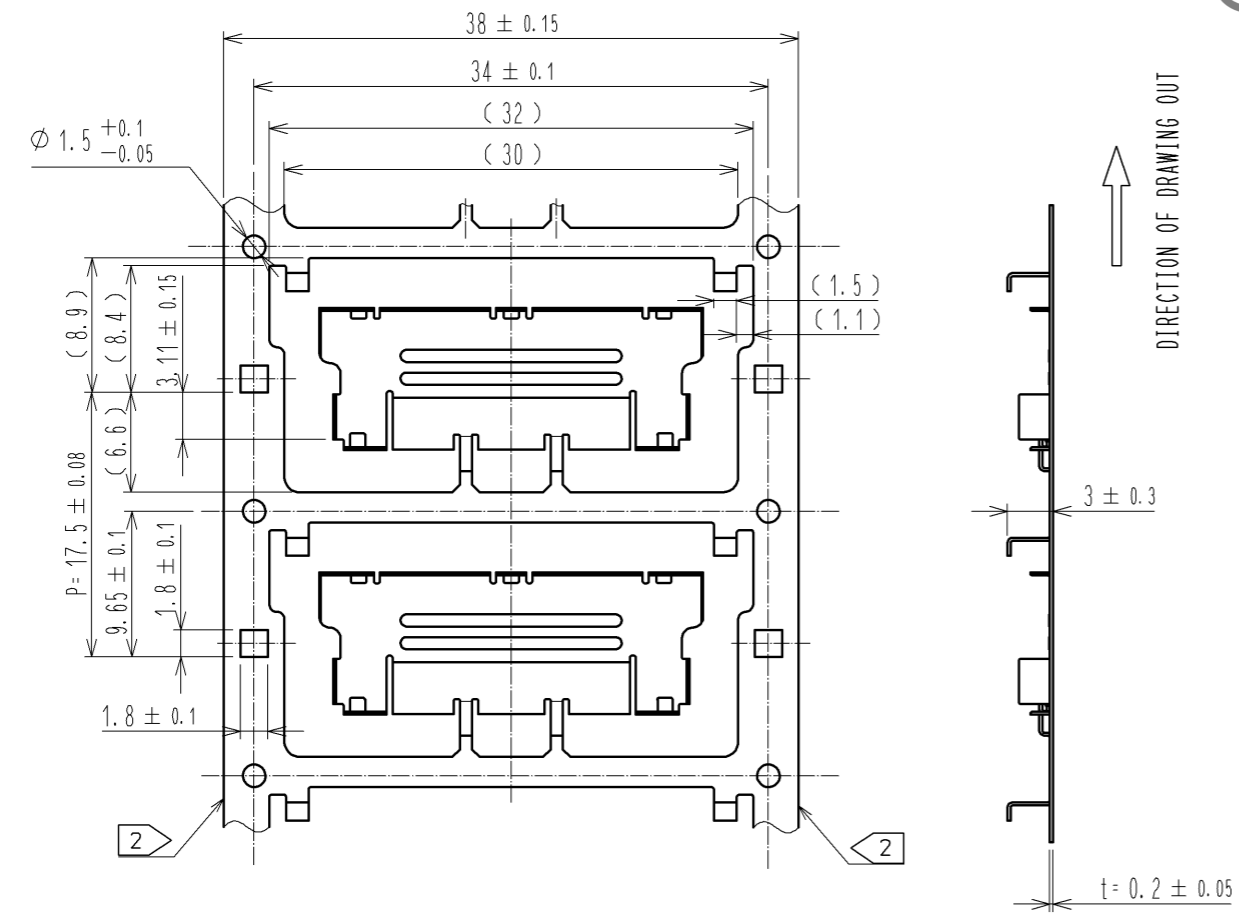


Jun.1.2020 Copyright 2020 HIROSE ELECTRIC CO., LTD. All Rights Reserved.
In case of consideration for using Automotive equipment / device which demand high reliability, kindly contact our sales window correspondents.



DETAILED FIGURE OF CAREER (2 : 1)



- NOTE 1. MANUFACTURING PROCESS COULD LEAVE SCRATCH AND/OR PUNCH MARKS HAVING NO AFFECT ON THE PRODUCT PERFORMANCE.
 2. SIDE CUT CAN BE PROVIDED TO PREVENT CARRIER CURVE.
 3. 2000 PIECES PER REEL.
 4. LABEL AS SHOWN BELOW IS INDICATED.

| | | |
|-------------------|------------------|------------------|
| HRS | | INSPECTION 検査 |
| CODE No. 品名コード | CL575-3232-6 | |
| PART NO. 品名 | FX16-31P-GNDL(A) | |
| QTY 数量 | 2,000 PCS | |
| PECULIAR 仕様 | | |
| Lot No | | |
| SPLICE 継ぎ目 | | |

5. DIMENSION IN () ARE FOR REFERENCE.
 6. THIS IS A COMPONENT FOR SEPARATELY AVAILABLE PRODUCT:FX16-31P-0.5FCL OR FX16-31P-0.5SDL.
 WHEN FFC IS USED FOR THE CABLE, MAKE SURE TO USE WITH THE SPECIFIED COMBINATION.

| NO. | MATERIAL | FINISH . REMARKS | NO. | MATERIAL | FINISH . REMARKS |
|-----|----------|------------------|-----|-----------|------------------|
| 1 | | | 1 | STAINLESS | |

| | | | | | | | |
|--------------------------------------|--|------------------------|------------|--------------------------|------------------|---------|------|
| UNITS mm | | SCALE FREE | COUNT △ | DESCRIPTION OF REVISIONS | DESIGNED | CHECKED | DATE |
| HRS HIROSE ELECTRIC CO., LTD. | | APPROVED : HS. OKAWA | 08.05.29 | DRAWING NO. | EDC3-157550-00 | | |
| | | CHECED : HT. YAMAGUCHI | 08.05.28 | PART NO. | FX16-31P-GNDL(A) | | |
| | | DESIGNED : TS. SHIBUYA | 08.05.27 | CODE NO. | CL575-3232-6-00 | | |
| | | DRAWN : TS. SHIBUYA | 08.05.27 | | △ | | |