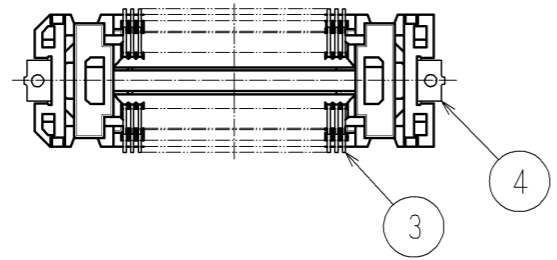
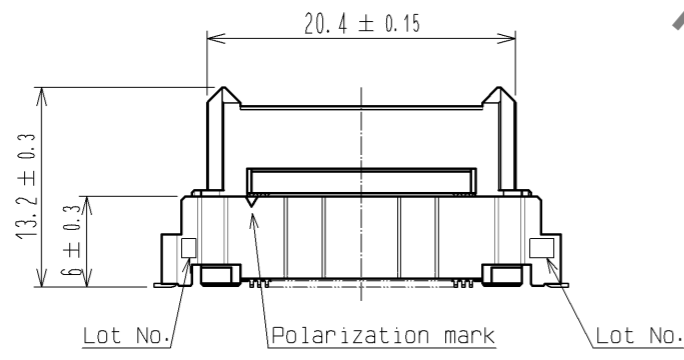
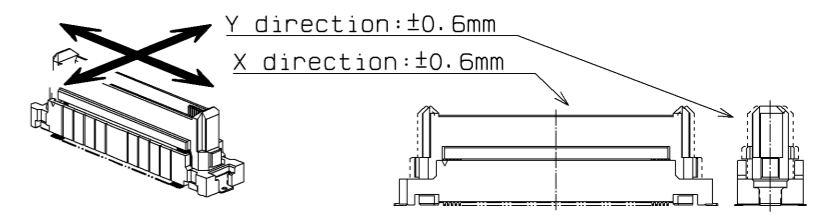
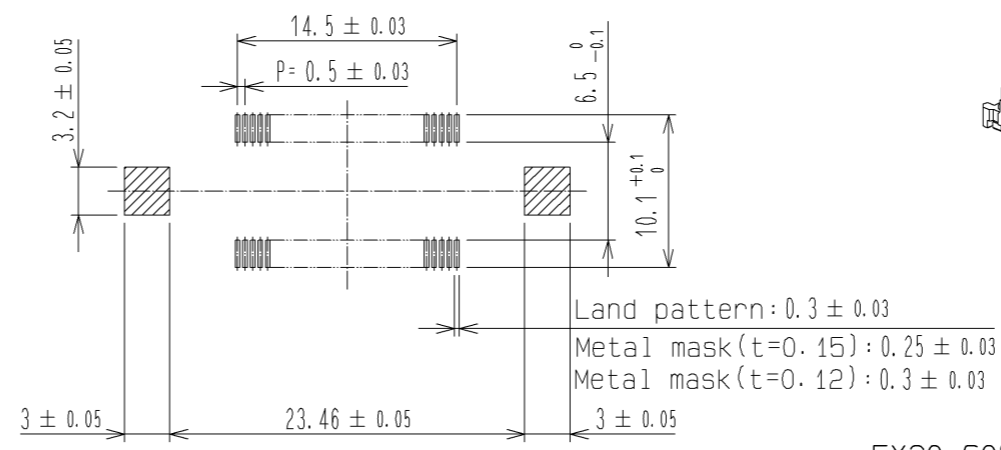
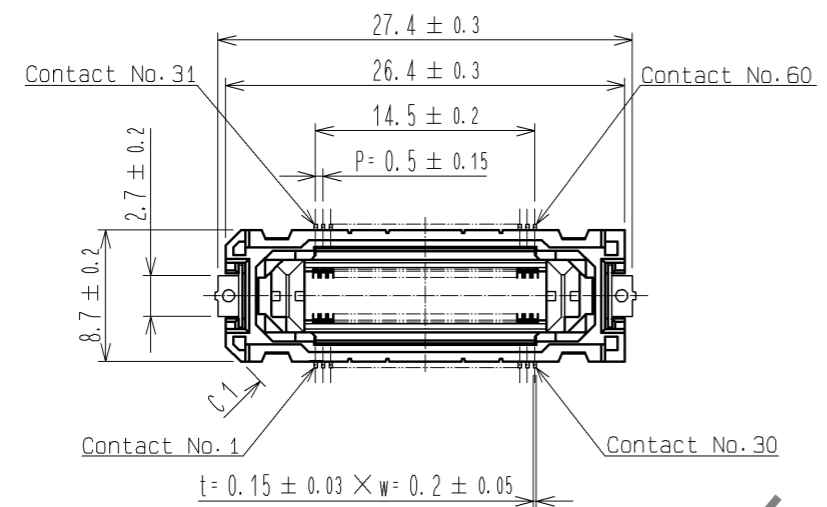


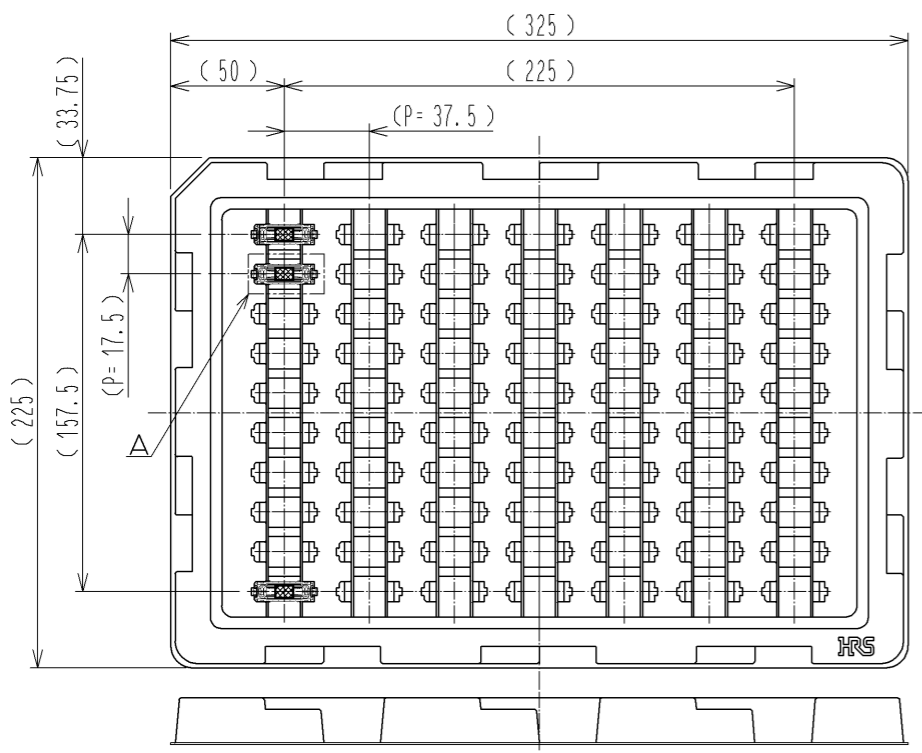
Jun.1.2020 Copyright 2020 HIROSE ELECTRIC CO., LTD. All Rights Reserved.
In case of consideration for using Automotive equipment / device which demand high reliability, kindly contact our sales window correspondents.

RECOMMENDED LAND PATTERN DIMENSION OF PCB

FLOATING RANGE

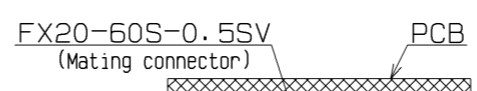


DRAWING FOR PACKING (No scale)

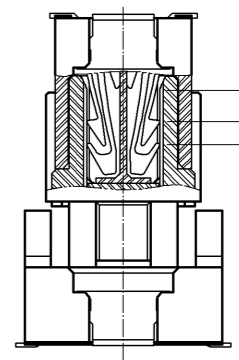


HRS DRAWING FOR REFERENCE

PCB DISTANCE (No scale)



CROSS SECTION OF MATING (No scale)



B (10 : 1)

A (1 : 1)

- 1 Lead CO-Planarity is 0.1mm MAX.
- 2 This is packaged in tray. (70pcs/tray)
- 3 Floating range of this connector is ±0.6mm MAX.
- 4 Blemish and hit mark can be occurred through out the manufacturing process which doesn't affect quality level.
- 5 It shows the vacuum pickup area. Remove the mylar tape before mating connectors.
- 6 Please note that excessive wrenching force could damage this connector. Please refer to the guideline for detailed regulations of the mating method.
- 7 The dimensions in parentheses are for references.
- 8 Please use the connectors within the specified PCB distance.

| | | |
|-----|--------------|----------------------------|
| 6 | POLYIMIDE | (TAPE FOR VACUUM PICKUP) |
| 5 | POLYSTYRENE | (TRAY) |
| 4 | BRASS | TIN-PLATING 1 μm |
| 3 | COPPER ALLOY | CONTACT AREA: GOLD 0.1 μm |
| | | LEAD AREA : GOLD 0.03 μm |
| | | UNDER PLATING: NICKEL 1 μm |
| NO. | MATERIAL | FINISH . REMARKS |

| | | | | | | | |
|-------------------------------|-----------|------------------|----------|----------------------|------------------|-------------|--|
| 2 | POLYAMIDE | BLACK UL94V-0 | | | | | |
| 1 | POLYAMIDE | BLACK UL94V-0 | | | | | |
| NO. | MATERIAL | FINISH . REMARKS | NO. | MATERIAL | FINISH . REMARKS | | |
| UNITS | mm | | SCALE | 2 : 1 | | COUNT | |
| APPROVED : HS. OKAWA | | | 14.06.09 | | DRAWING NO. | | |
| CHECKED : KN. SHIBUYA | | | 14.06.09 | | PART NO. | | |
| DESIGNED : TS. OONO | | | 14.06.09 | | CODE NO. | | |
| DRAWN : TS. OONO | | | 14.06.09 | | CL570-1002-3-10 | | |
| DESCRIPTION OF REVISIONS | | | | DESIGNED | CHECKED | DATE | |
| HRS HIROSE ELECTRIC CO., LTD. | | | | EDC3-336320-01 | | DRAWING NO. | |
| | | | | FX20-60P-0.5SV15(10) | | PART NO. | |
| | | | | | | CODE NO. | |