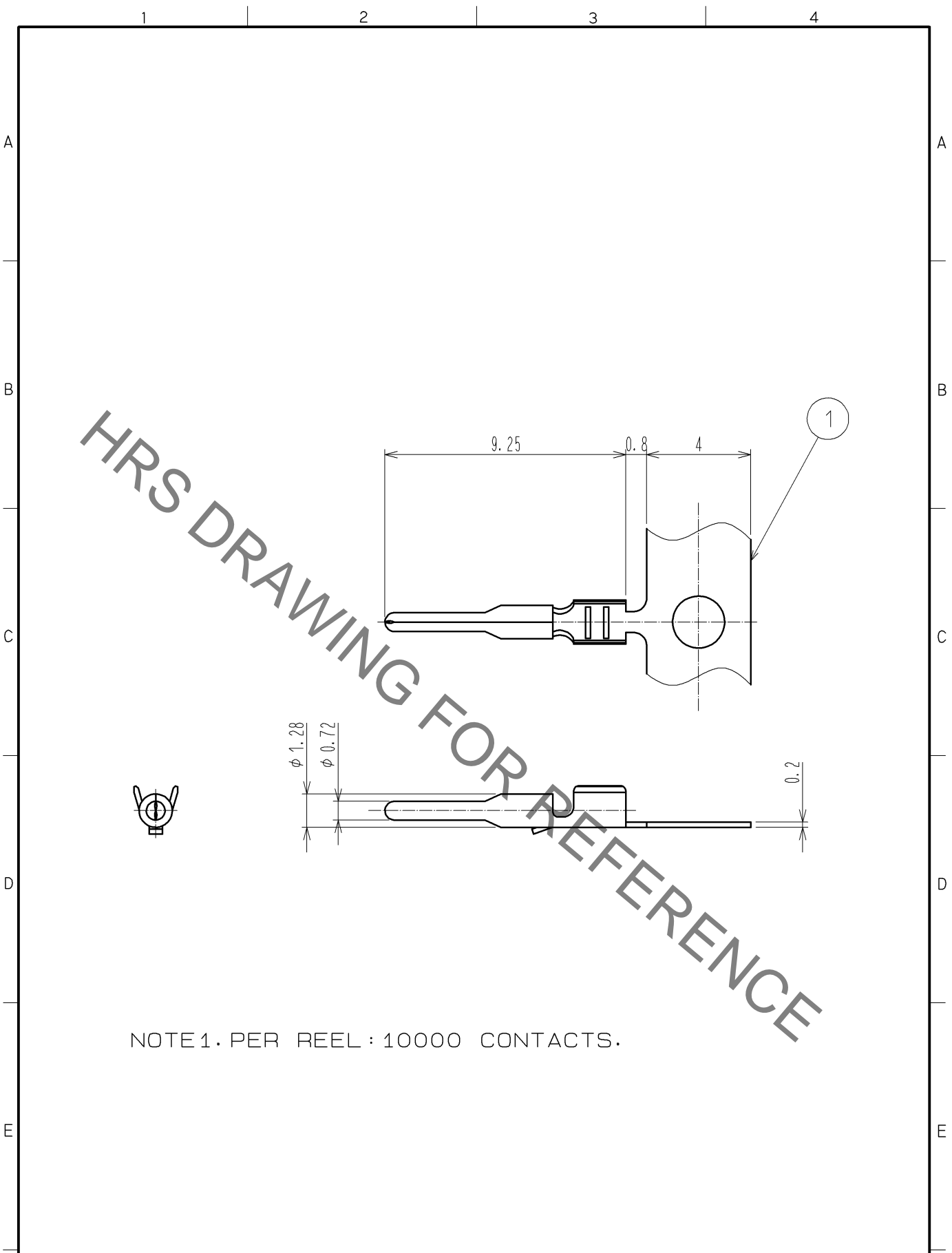


Jun.1.2020 Copyright 2020 HIROSE ELECTRIC CO., LTD. All Rights Reserved.
 In case of consideration for using Automotive equipment / device which demand high reliability, kindly contact our sales window correspondents.



NOTE1. PER REEL : 10000 CONTACTS.

1	BRASS	TIN PLATED						
NO.	MATERIAL	FINISH .	REMARKS	NO.	MATERIAL	FINISH .	REMARKS	
UNITS mm		SCALE 5 : 1	COUNT 	DESCRIPTION OF REVISIONS		DESIGNED	CHECKED	DATE
HRS HIROSE ELECTRIC CO., LTD.	APPROVED : AR. SHIRAI	12. 04. 09	DRAWING NO.	EDC4-165797-01				
	CHECKED : MO. OKADA	12. 04. 06	PART NO.	GT16-2428PCF				
	DESIGNED : MH. YAMAGUCHI	12. 04. 06	CODE NO.	CL766-0006-6-00				
	DRAWN : KT. OKABE	12. 04. 06				1	1	