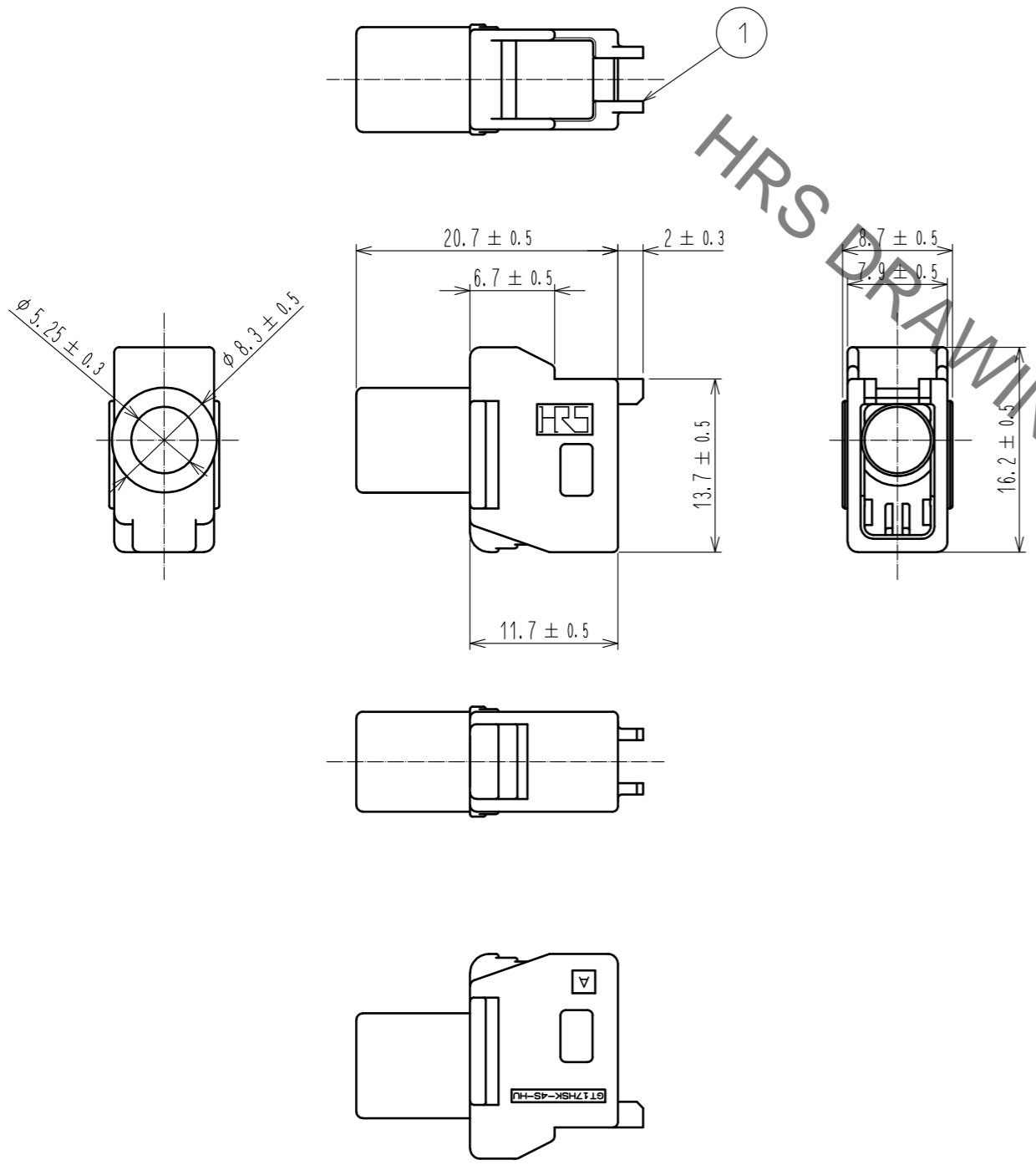
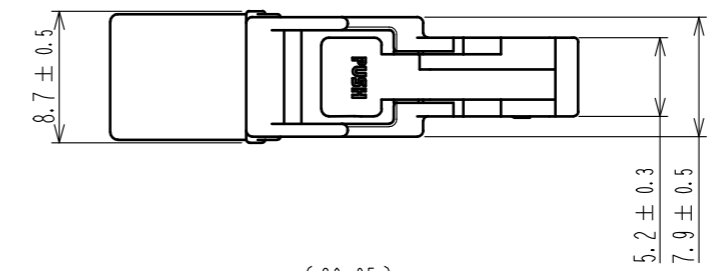


Jun.1.2020 Copyright 2020 HIROSE ELECTRIC CO., LTD. All Rights Reserved.
In case of consideration for using Automotive equipment / device which demand high reliability, kindly contact our sales window correspondents.

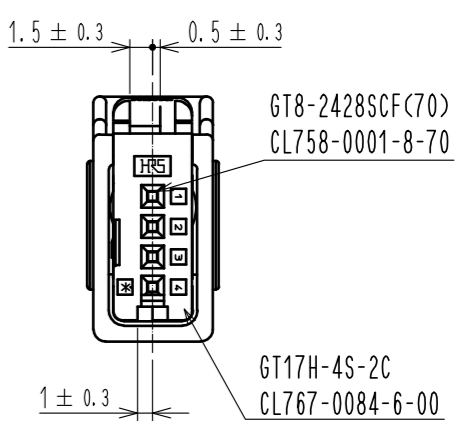
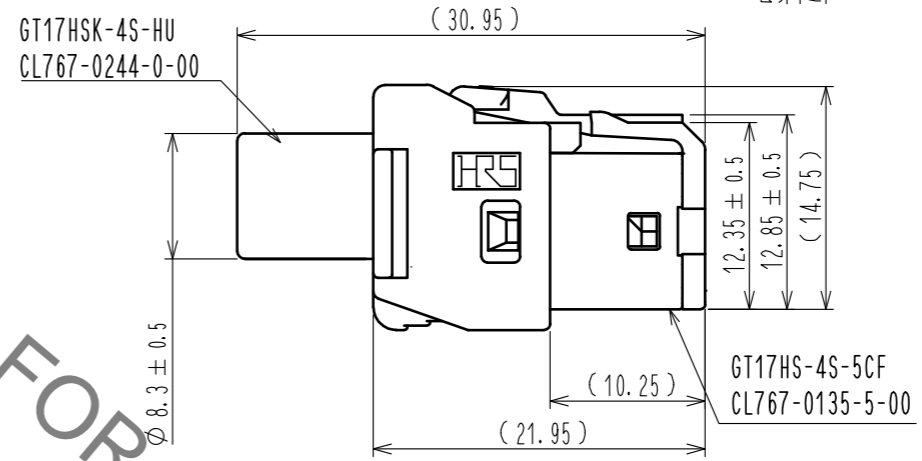
ELV. RoHS COMPLIANT



GT17HSK-4S(*)/SET * : KEY



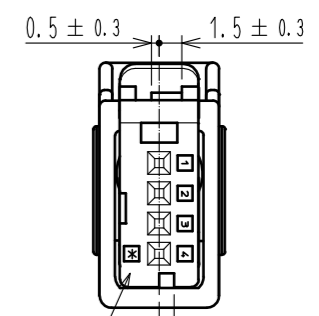
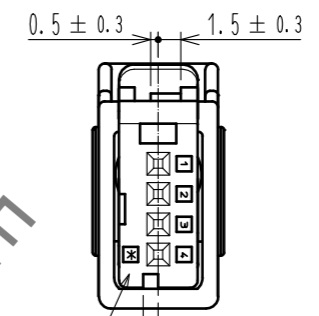
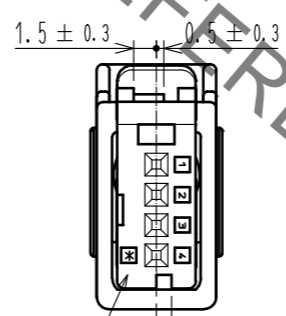
KEY-STANDARD: LIGHT GRAY



KEY-A: BROWN

KEY-B: GREEN

KEY-C: BLUE



1	PBT	DARK GRAY						
NO.	MATERIAL	FINISH .	REMARKS	NO.	MATERIAL	FINISH .	REMARKS	
UNITS		SCALE	COUNT	DESCRIPTION OF REVISIONS		DESIGNED	CHECKED	DATE
mm		2 : 1	△					
HRS HIROSE ELECTRIC CO., LTD.				APPROVED : AR. SHIRAI	17.07.21	DRAWING NO. EDC-167969-00-02		
				CHECKED : TH. MIZUGUCHI	17.07.20	PART NO. GT17HSK-4S-HU		
				DESIGNED : YT. TAKANASHI	17.07.20	CODE NO. CL767-0244-0-00		
				DRAWN : YT. TAKANASHI	17.07.20	1/1		