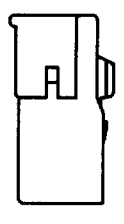
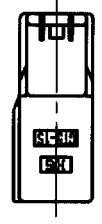
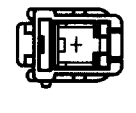
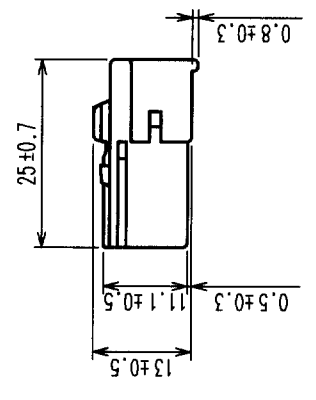
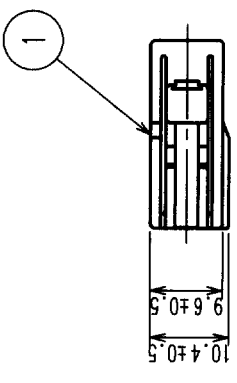
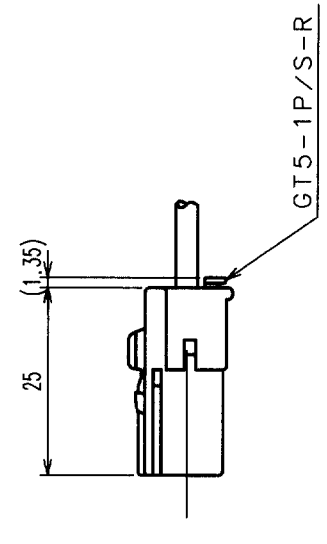


Jun. 1. 2020 Copyright 2020 HIROSE ELECTRIC CO., LTD. All Rights Reserved.
 In case of consideration for using Automotive equipment / device which demand high reliability, kindly contact our sales window correspondents.

COUNT	DESCRIPTION OF REVISIONS	BY	CHKD	DATE	COUNT	DESCRIPTION OF REVISIONS	BY	CHKD	DATE
△					△				
△					△				
△					△				



NOTE 1. THIS CONNECTOR SHALL BE USED WITH A RETAINER
 (CL755-0006-2).
 2. APPLICABLE CONNECTOR: GT5-1PP-HU (A) (CL755-0039-1)
 GT5-1P-DS (A) (CL755-0041-3)



CONNECTOR ASSEMBLED WITH A RETAINER

HRS DRAWING FOR REFERENCE

NO.	PBT	MATERIAL	FINISH, REMARKS	NO.	MATERIAL	FINISH, REMARKS	DESIGNED	CHECKED	APPROVED	RELEASED	
1	UL94V-0, BROWN						T. IKEDA	M. Okada	K. Kato		
CODE NO. (OLD)		DRAWN		NO.		DESIGNED		APPROVED		RELEASED	
		T. IKEDA				T. IKEDA		M. Okada		K. Kato	
		'01.11.19				'01.11.19		'01.11.27		'01.11.27	
DRAWING NO.		PART NO.		DRAWING NO.		PART NO.		DRAWING NO.		PART NO.	
EDC3-165292		GT5-1S-HU(A)		EDC3-165292		GT5-1S-HU(A)		EDC3-165292		GT5-1S-HU(A)	
SCALE		UNITS		SCALE		UNITS		SCALE		UNITS	
1 : 1		JTTT		1 : 1		JTTT		1 : 1		JTTT	
HRS		HIROSE ELECTRIC CO., LTD		HRS		HIROSE ELECTRIC CO., LTD		HRS		HIROSE ELECTRIC CO., LTD	
CODE NO.		CODE NO.		CODE NO.		CODE NO.		CODE NO.		CODE NO.	
CL755-0037-6		CL755-0037-6		CL755-0037-6		CL755-0037-6		CL755-0037-6		CL755-0037-6	

TO			
----	--	--	--