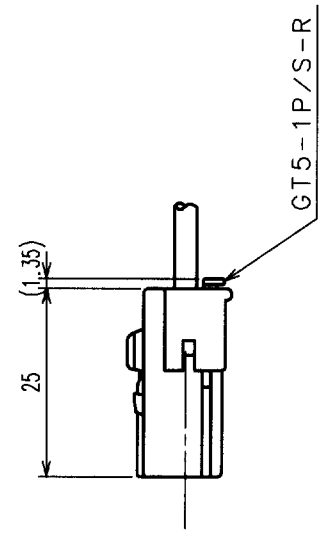
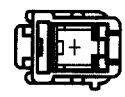
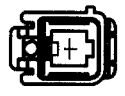
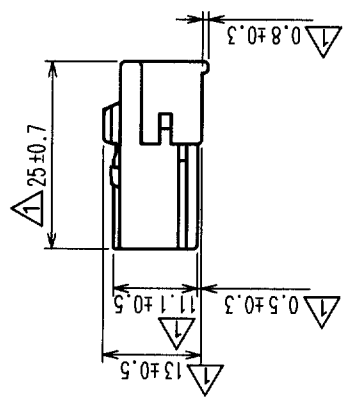
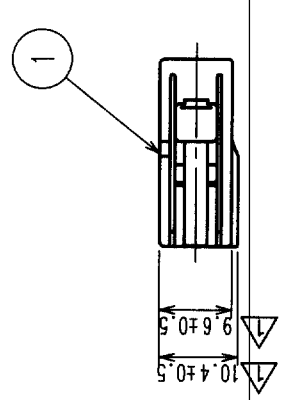


COUNT	DESCRIPTION OF REVISIONS	BY	CHKD	DATE	COUNT	DESCRIPTION OF REVISIONS	BY	CHKD	DATE
8	RE-T-00607	11	M.O	01.11.28					

NOTE1. THIS CONNECTOR SHALL BE USED WITH A RETAINER
 (CL755-0006-2) WAS ASSEMBLED.
 2. APPLICABLE CONNECTOR: GT5-1PP-HU (B) (CL755-0040-0)
 GT5-1P-DS (B) (CL755-0042-6)



CONNECTOR ASSEMBLED WITH A RETAINER

HRS DRAWING FOR REFERENCE

NO.	MATERIAL	FINISH, REMARKS	NO.	MATERIAL	FINISH, REMARKS
1	PBT	UL94V-0, GREEN			
CODE NO. (OLD)					
DRAWN			DESIGNED		
T. EBIHARA			N. HARUBAYASHI		
'97.08.25			'97.08.25		
CHECKED			APPROVED		
K. SATO			M. YAMAMOTO		
'97.08.27			'97.08.27		
PART NO. GT5-1S-HU(B)					
DRAWING NO. EDC3-165293					
SCALE 1:1					
UNITS mm					
HIROSE ELECTRIC CO., LTD					
CODE NO. CL755-0038-9					

TO	
----	--