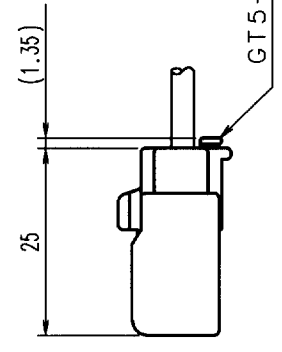
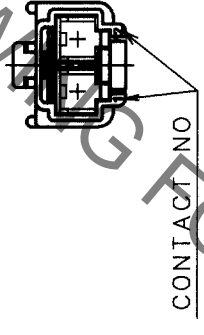
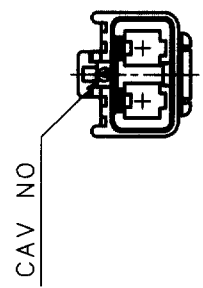
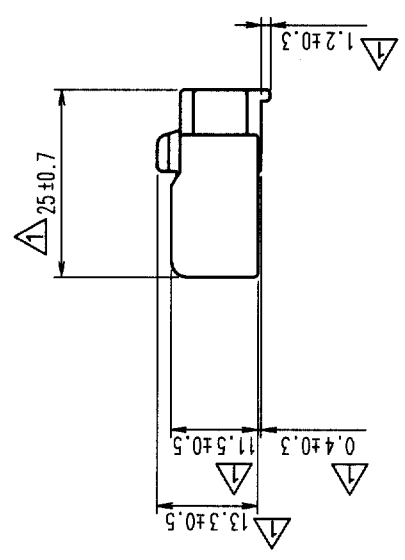
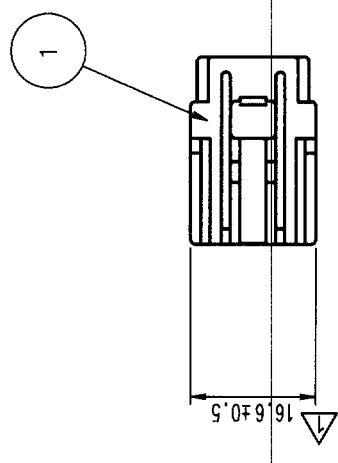


1 2 3 4 5 6 7 8

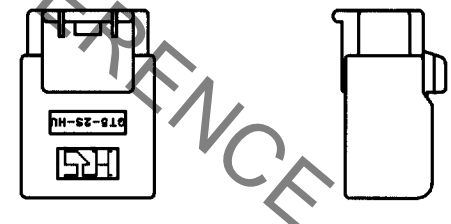
NO.	DESCRIPTION OF REVISIONS	BY	CHKD	DATE	COMNT	DESCRIPTION OF REVISIONS	BY	CHKD	DATE
6	RE-T-00607	T.I	M.O	2011.11.28					

PECULIAR SPECIFICATION CHART

PART NO	CLNo.	SPECIFICATION
GT5-2S-HU	755-0044-1	UL94HB LIGHT GRAY
GT5-2S-HU (20)	755-0044-1-20	UL94HB ORANGE
GT5-2S-HU (21)	755-0044-1-21	UL94HB BLUE



CONNECTOR ASSEMBLED WITH A RETAINER



NOTE1. THIS CONNECTOR SHALL BE USED WITH A RETAINER  
 (CL755-0046-7).

NO.	PBT	MATERIAL	FINISH, REMARKS	NO.	MATERIAL	FINISH, REMARKS	RELEASED
1							

CODE NO. (OLD)	FINISH, REMARKS	NO.	MATERIAL	FINISH, REMARKS	DESIGNED	CHECKED	APPROVED
					T. IKEDA	N. NAKATA	K. SATO
					'98.11.20	'98.12.1	'98.12.4

DRAWING NO.	PART NO.
EDC3-165327	GT5-2S-HU

SCALE	UNITS	CODE NO.
1 : 1	ITTT	CL755-0044-1

TO		
----	--	--

1 2 3 4 5 6 7 8