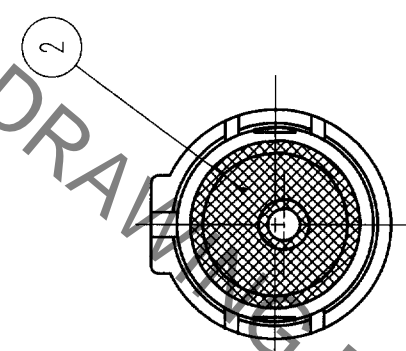
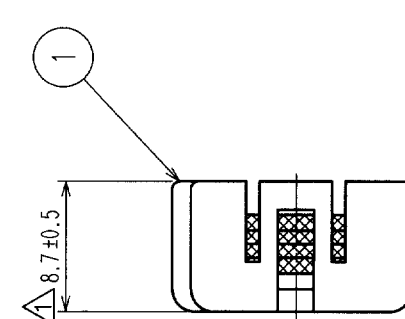
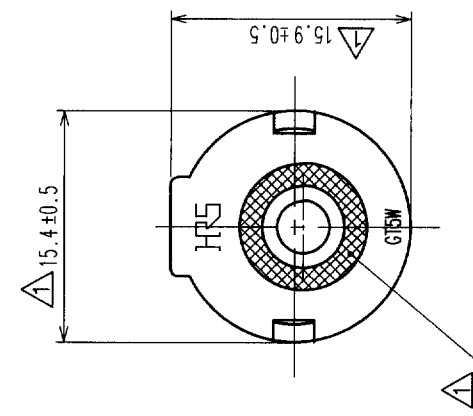
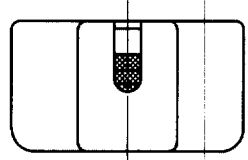


In case of consideration for using Automotive equipment / device which demand high reliability, kindly contact our sales window correspondents.

Jun. 1. 2020 Copyright 2020 HIROSE ELECTRIC CO., LTD. All Rights Reserved.

COUNT	DESCRIPTION OF REVISIONS	BY	CHKD	DATE	COUNT	DESCRIPTION OF REVISIONS	BY	CHKD	DATE
4	RE-T-00607	T.I	M.O	01.11.28					



HRS DRAWING FOR REFERENCE

TO			
----	--	--	--

NOTE1. APPLICABLE CABLE DIA.: φ2.9 TO φ3.4

1 PBT-M		DARK GRAY		2 SILICONE RUBBER		LIGHT BLUE	
NO.	MATERIAL	FINISH, REMARKS	NO.	MATERIAL	FINISH, REMARKS	APPROVED	RELEASED
CODE NO. (OLD)	CL559-0214-9		DRAWN	DESIGNED		CHECKED	
			T. EBIHARA	N. NAKATA		K. SATO	
			'97. 6. 26	'97. 6. 30		'97. 7. 1	
						M. YAMAMOTO	
						'97. 7. 1	
DRAWING NO.		EDC3-165088		PART NO.		GT5W-1P/S-R	
SCALE		2 : 1		CODE NO.		CL755-0028-5	
UNITS		mm		HRS		HIROSE ELECTRIC CO., LTD	