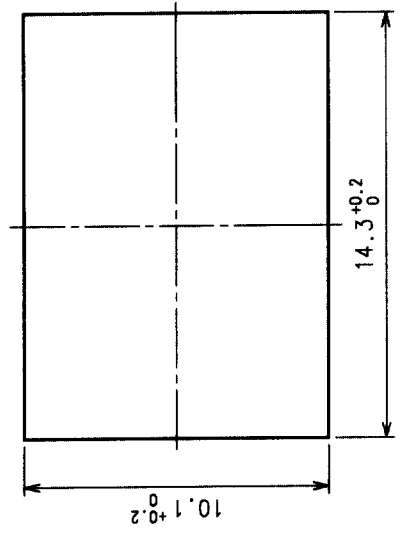
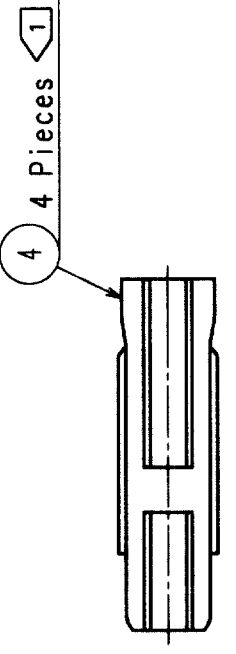


COUNT	DESCRIPTION OF REVISIONS	BY	CHKD	DATE	COUNT	DESCRIPTION OF REVISIONS	BY	CHKD	DATE
△					△				
△					△				
△					△				

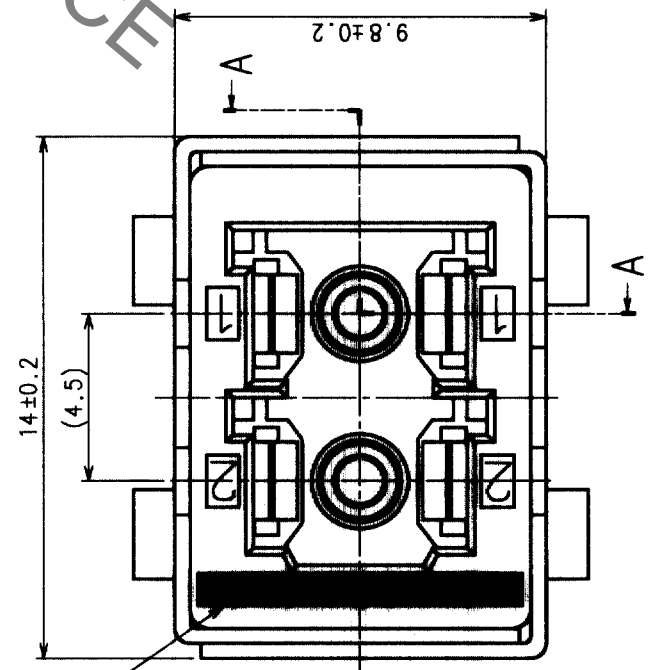
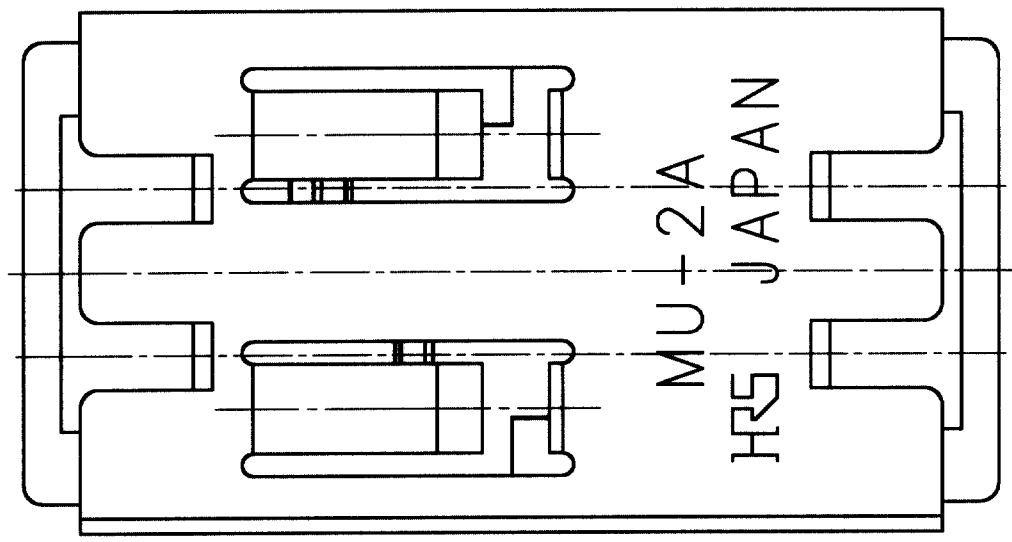
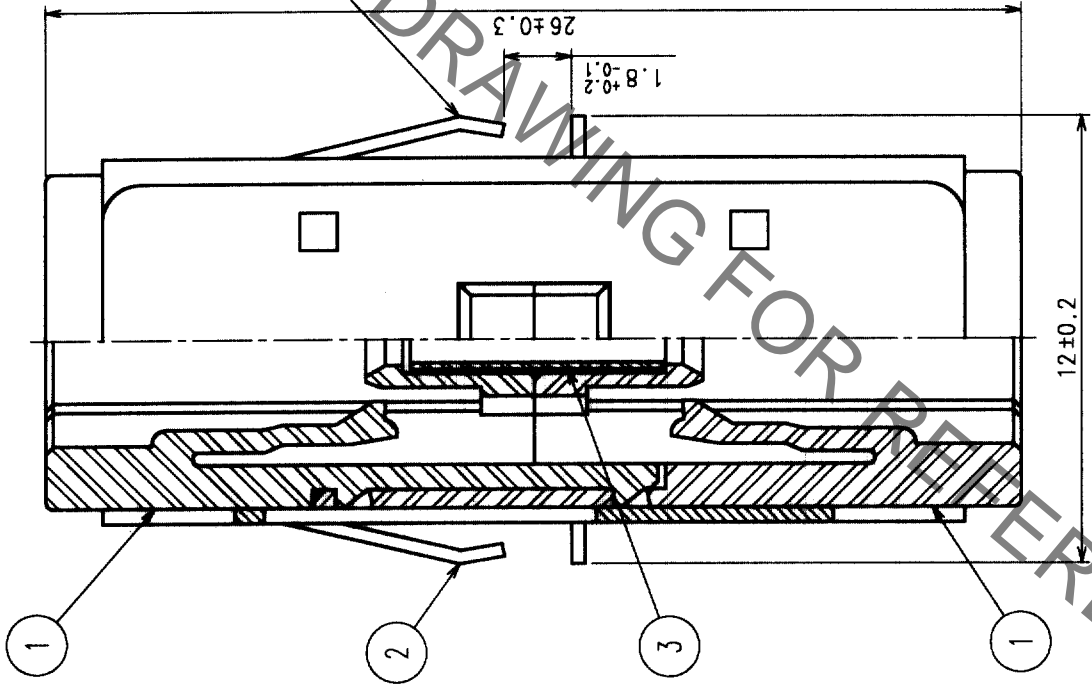
Recommended Panel Cutout  
(Panel Thickness t=1.6mm)



(2:1)



A-A



NOTE 1 Delivered with cap installed.

2	Stainless Steel		4	Synthetic Resin	Color: White
1	Synthetic Resin		3	Zirconia	
NO.	MATERIAL	FINISH, REMARKS	NO.	MATERIAL	FINISH, REMARKS
CODE NO. (OLD)			DRAWN	DESIGNED	CHECKED
			M. Shiba	M. Shiba	M. Seno
			02.04.08	02.04.08	02.04.08
DRAWING NO.		PART NO.		APPROVED	
EDC3-174978		HMUA-2A-4		F. Nagai	
SCALE		CODE NO.		RELEASED	
5 : 1		CL710-0187-8			
UNITS		HRS			
mm		HIROSE ELECTRIC CO., LTD			

TO			
----	--	--	--