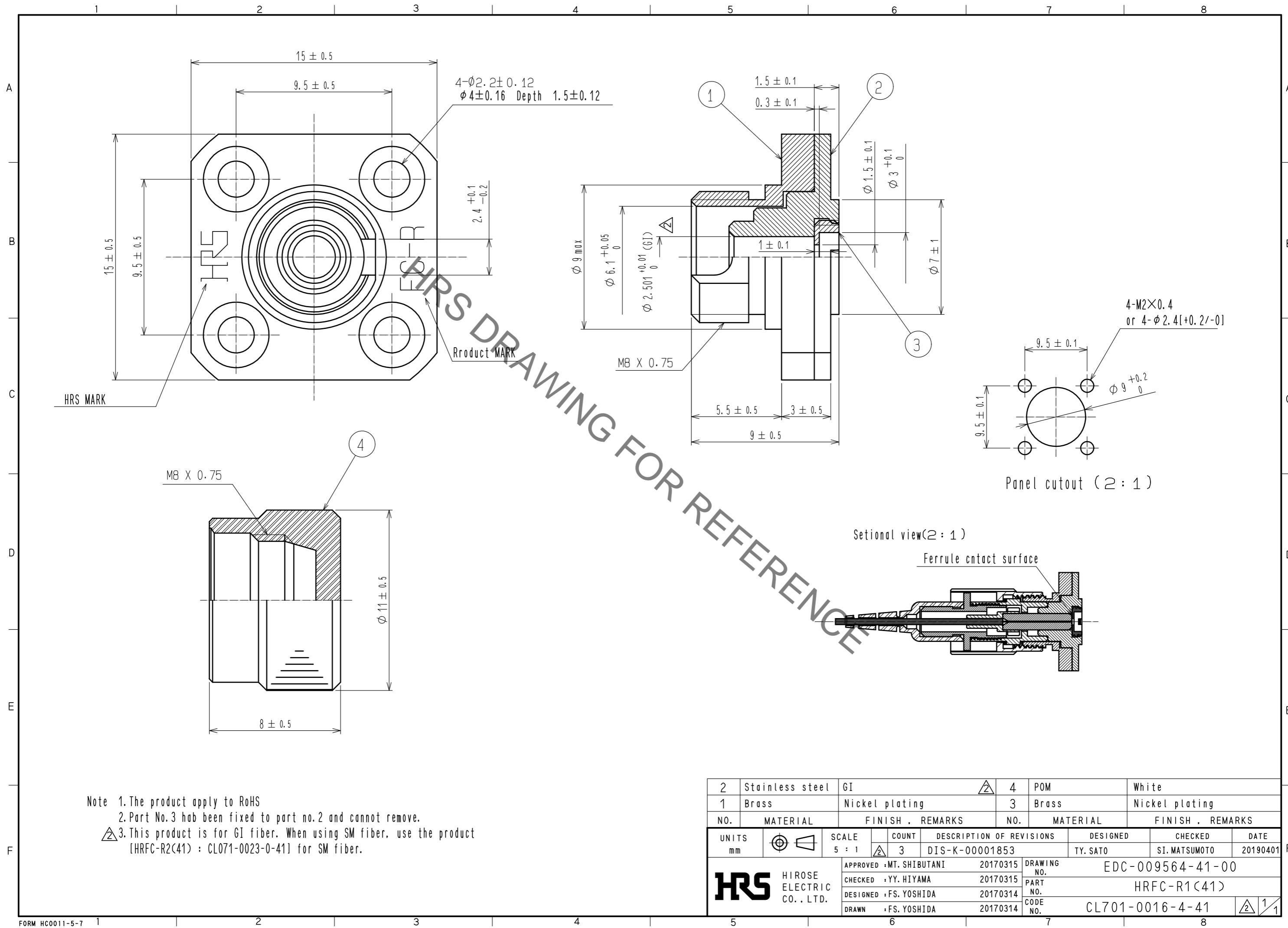


May.1.2020 Copyright 2020 HIROSE ELECTRIC CO., LTD. All Rights Reserved.
In case of consideration for using Automotive equipment / device which demand high reliability, kindly contact our sales window correspondents.



Note 1. The product apply to RoHS
 2. Part No.3 has been fixed to part no.2 and cannot remove.
 3. This product is for GI fiber. When using SM fiber, use the product [HRFC-R2(41) : CL071-0023-0-41] for SM fiber.

2	Stainless steel	GI	4	POM	White		
1	Brass	Nickel plating	3	Brass	Nickel plating		
NO.	MATERIAL	FINISH . REMARKS	NO.	MATERIAL	FINISH . REMARKS		
UNITS	mm	SCALE	COUNT	DESCRIPTION OF REVISIONS	DESIGNED	CHECKED	DATE
		5 : 1	3	DIS-K-00001853	TY. SATO	SI. MATSUMOTO	20190401
APPROVED : MT. SHIBUTANI				20170315	DRAWING NO. EDC-009564-41-00		
CHECKED : YY. HIYAMA				20170315	PART NO. HRFC-R1(41)		
DESIGNED : FS. YOSHIDA				20170314	CODE NO. CL701-0016-4-41		
DRAWN : FS. YOSHIDA				20170314	1/1		