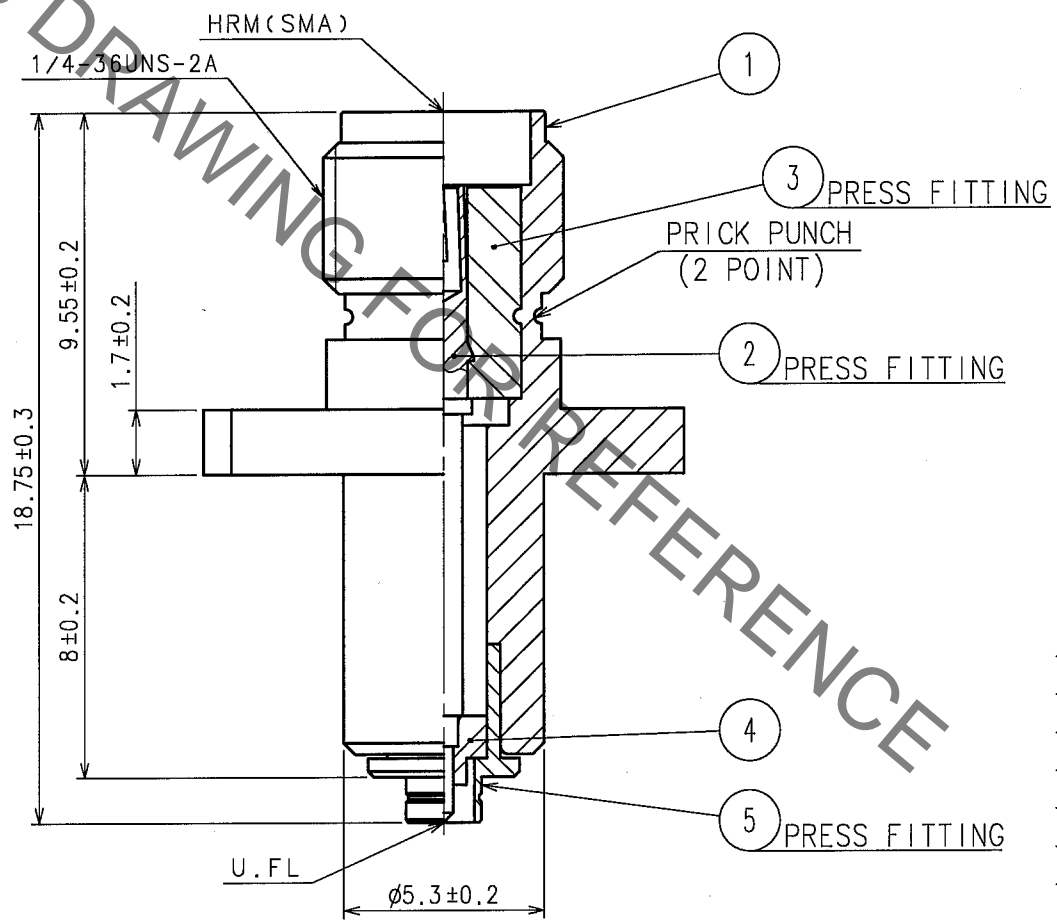
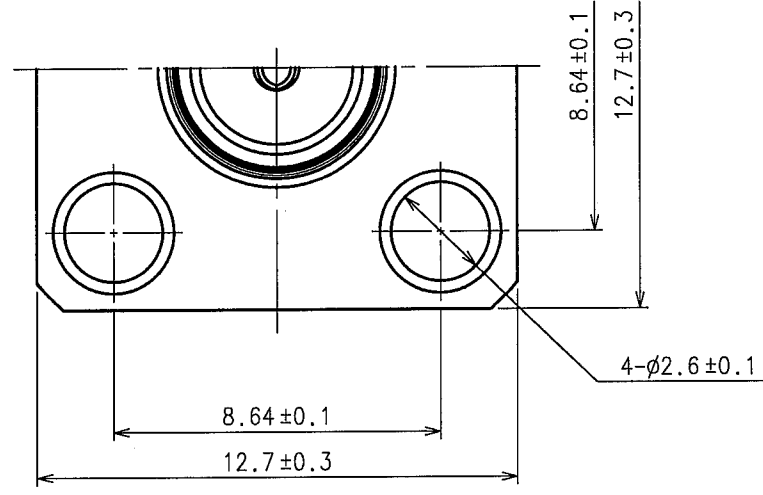


Jun.1.2020 Copyright 2020 HIROSE ELECTRIC CO., LTD. All Rights Reserved.  
In case of consideration for using Automotive equipment / device which demand high reliability, kindly contact our sales window correspondents.

1		2			3			4		
COUNT	DESCRIPTION OF REVISIONS	BY	CHKD	DATE	COUNT	DESCRIPTION OF REVISIONS	BY	CHKD	DATE	
△					△					
△					△					
△					△					



NO.	MATERIAL	FINISH, REMARKS	NO.	MATERIAL	FINISH, REMARKS
3	PTFE		5	BRASS	NICKEL PLATING
2	BERYLLIUM COPPER	GOLD PLATING	4	PTFE	
1	BRASS	NICKEL PLATING			

CODE NO. (OLD)	DRAWN	DESIGNED	CHECKED	APPROVED	RELEASED
	R.KIMURA	R.KIMURA	M. Yamane	J. Mitani	
	05.08.11	05.08.11	05.08.23	05.08.26	

In TO  
RF

SCALE 5 : 1	DRAWING NO. EDC4-300041-40	PART NO. HRMJ-U.FLJ-PA-1(40)
UNITS mm	<b>HRS</b> HIROSE ELECTRIC CO.,LTD.	CODE NO. CL311-0364-5-40