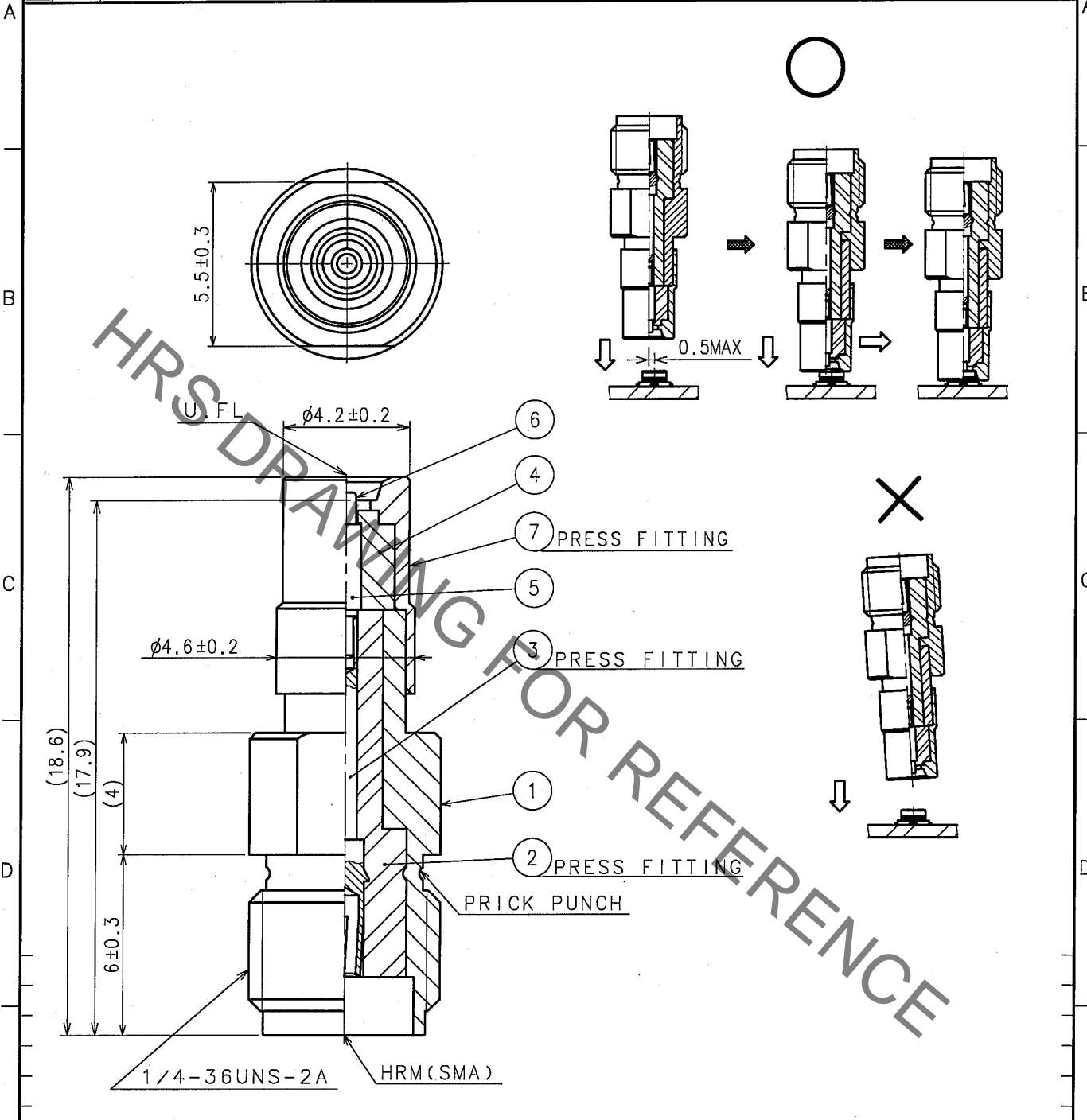


Jun.1.2020 Copyright 2020 HIROSE ELECTRIC CO., LTD. All Rights Reserved.
 In case of consideration for using Automotive equipment / device which demand high reliability, kindly contact our sales window correspondents.

1					2					3					4				
COUNT	DESCRIPTION OF REVISIONS				BY	CHKD	DATE	COUNT	DESCRIPTION OF REVISIONS				BY	CHKD	DATE				
△							..	△							..				
△							..	△							..				
△							..	△							..				



4	PTFE				
3	BERYLLIUM COPPER	GOLD PLATING	7	STAINLESS STEEL	GOLD PLATING
2	PTFE		6	BERYLLIUM COPPER	GOLD PLATING(FREE CONTACT)
1	BRASS	NICKEL PLATING	5	BRASS	GOLD PLATING
NO.	MATERIAL	FINISH, REMARKS	NO.	MATERIAL	FINISH, REMARKS

CODE NO. (OLD) CL311-0385-5-00		DRAWN n. Ninomiya '06.02.20	DESIGNED n. Ninomiya '06.02.20	CHECKED M. Yamane '06.02.20	APPROVED J. Mitani '06.02.20	RELEASED
RoHS COMPLIANT						

 SCALE 5 : 1 UNITS mm	DRAWING NO. EDC4-302679-40	PART NO. HRMJ-U.FLP-ST1(40)
	 HIROSE ELECTRIC CO., LTD.	CODE NO. CL311-0385-5-40

TO
RF